

## SN75DP139 DisplayPort to TMDS Level-Shifting Re-Driver

### 1 Features

- DisplayPort Physical Layer Input Port to TMDS Physical Layer Output Port
- Integrated TMDS Level-Shifting Re-driver With Receiver Equalization
- Supports Data Rates up to 3.4 Gbps
- Achieves HDMI 1.4b Compliance
- 3D HDMI Support With TMDS Clock Rates up to 340 MHz
- 4k x 2k Operation (30 Hz, 24bpp)
- Deep Color Supporting 36bpp
- Integrated I<sup>2</sup>C Logic Block for DVI/HDMI Connector Recognition
- Integrated Active I<sup>2</sup>C Buffer
- Enhanced ESD: 10 kV on All Pins
- Enhanced Commercial Temperature Range: 0°C to 85°C
- 48-Pin 7-mm x 7-mm VQFN (RGZ) Package
- 40-Pin 5-mm x 5-mm WQFN (RSB) Package

### 2 Applications

- Personal Computer Market
  - DP/TMDS Dongle
  - Desktop PC
  - Notebook PC
  - Docking Station
  - Stand-Alone Video Card

### 3 Description

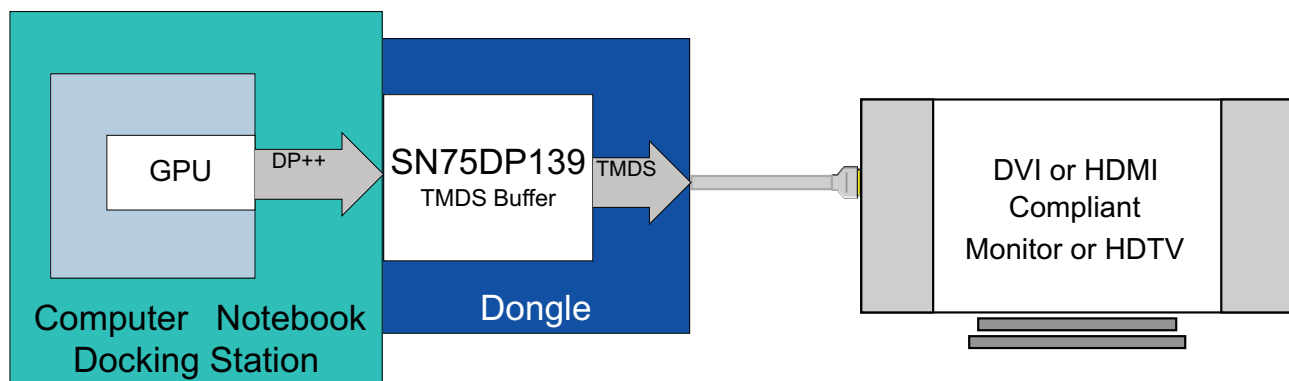
The SN75DP139 is a dual-mode DisplayPort input to Transition-Minimized Differential Signaling (TMDS) output. The TMDS output has a built-in level-shifting re-driver supporting Digital Video Interface (DVI) 1.0 and High Definition Multimedia Interface (HDMI) 1.4b standards. The SN75DP139 is specified up to a maximum data rate of 3.4 Gbps, supporting resolutions greater than 1920 x 1200 or HDTV 12-bit color depth at 1080p (progressive scan). The SN75DP139 is compliant with the HDMI 1.4b specifications and supports optional protocol enhancements such as 3D graphics at resolutions demanding a pixel rate up to 340 MHz.

#### Device Information<sup>(1)</sup>

PART NUMBER	PACKAGE	BODY SIZE (NOM)
SN75DP139	VQFN (48)	7.00 mm x 7.00 mm
	WQFN (40)	5.00 mm x 5.00 mm

(1) For all available packages, see the orderable addendum at the end of the datasheet.

#### Typical Application



GPU - Graphics Processing Unit  
 DP++ - Dual-Mode DisplayPort  
 TMDS - Transition-Minimized Differential Signaling  
 DVI - Digital Visual Interface

HDMI - High Definition Multimedia Interface



## Table of Contents

<b>1 Features</b> .....	<b>1</b>	<b>7 Detailed Description</b> .....	<b>17</b>
<b>2 Applications</b> .....	<b>1</b>	7.1 Overview .....	17
<b>3 Description</b> .....	<b>1</b>	7.2 Functional Block Diagram .....	17
<b>4 Revision History</b> .....	<b>2</b>	7.3 Feature Description .....	18
<b>5 Pin Configuration and Functions</b> .....	<b>3</b>	7.4 Device Functional Modes .....	21
<b>6 Specifications</b> .....	<b>6</b>	7.5 Programming .....	22
6.1 Absolute Maximum Ratings .....	6	<b>8 Application and Implementation</b> .....	<b>26</b>
6.2 Handling Ratings .....	6	8.1 Application Information .....	26
6.3 Recommended Operating Conditions .....	7	8.2 Typical Application .....	26
6.4 Thermal Information .....	7	<b>9 Power Supply Recommendations</b> .....	<b>28</b>
6.5 Electrical Characteristics (Device Power) .....	8	<b>10 Layout</b> .....	<b>28</b>
6.6 Electrical Characteristics (Hot Plug Detect) .....	8	10.1 Layout Guidelines .....	28
6.7 Electrical Characteristics (Aux / I <sup>2</sup> C Pins) .....	9	10.2 Layout Example .....	30
6.8 Electrical Characteristics (TMDS and Main Link Pins) .....	10	<b>11 Device and Documentation Support</b> .....	<b>32</b>
6.9 Switching Characteristics (Hot Plug Detect) .....	10	11.1 Trademarks .....	32
6.10 Switching Characteristics (Aux / I <sup>2</sup> C Pins) .....	11	11.2 Electrostatic Discharge Caution .....	32
6.11 Switching Characteristics (TMDS and Main Link Pins) .....	13	11.3 Glossary .....	32
6.12 Typical Characteristics .....	16	<b>12 Mechanical, Packaging, and Orderable Information</b> .....	<b>32</b>

## 4 Revision History

NOTE: Page numbers for previous revisions may differ from page numbers in the current version.

<b>Changes from Revision D (July 2013) to Revision E</b>	<b>Page</b>
<ul style="list-style-type: none"> <li>Added <i>Pin Configuration and Functions</i> section, <i>Handling Rating</i> table, <i>Feature Description</i> section, <i>Device Functional Modes</i>, <i>Application and Implementation</i> section, <i>Power Supply Recommendations</i> section, <i>Layout</i> section, <i>Device and Documentation Support</i> section, and <i>Mechanical, Packaging, and Orderable Information</i> section .....</li> </ul>	1

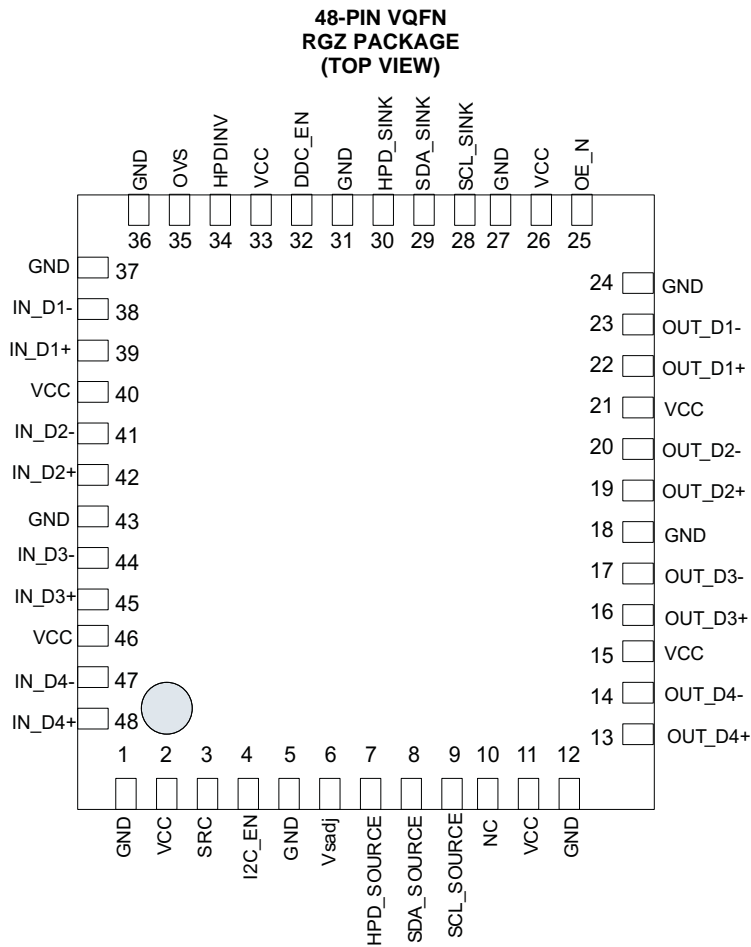
  

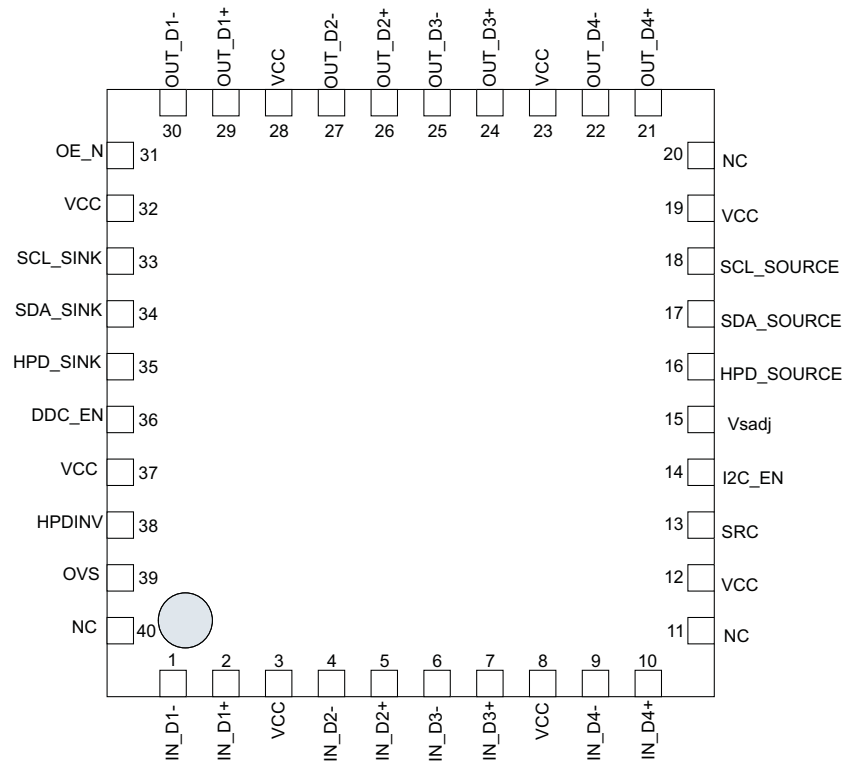
<b>Changes from Revision C (December 2012) to Revision D</b>	<b>Page</b>
<ul style="list-style-type: none"> <li>Changed title and Feature bullet from "...TMDS Translator..." to "...TMDS Level Shifting Re-driver" .....</li> <li>Changed second sentence text string in Description section from "...built in level translator..." to "built in level shifting re-driver..." .....</li> </ul>	1

<b>Changes from Revision A (July 2010) to Revision B</b>	<b>Page</b>
<ul style="list-style-type: none"> <li>Added to FEATURES "40 Pin 5 x 5 QFN (RSB) Package" .....</li> <li>Added RSB package drawing .....</li> <li>Changed PIN FUNCTIONS to include RSB package pins .....</li> <li>Added RSB package to ORDERING INFORMATION table .....</li> <li>Changed voltage range section of Absolute Maximum Ratings .....</li> <li>Changed input voltages within the Recommended Operating Conditions .....</li> <li>Changed thermal resistance info and enable voltages to 3.6V .....</li> <li>Changed enable voltages from 5V to 3.6V .....</li> <li>Changed V<sub>IH(AUX)</sub> max from 5.5V to 3.6V .....</li> <li>Changed OUT_Dx terminal connections .....</li> </ul>	17

## 5 Pin Configuration and Functions



**40-PIN WQFN  
RSB PACKAGE  
(TOP VIEW)**


### Pin Functions

SIGNAL	PIN		I/O	DESCRIPTION
	NO.			
	RGZ	RSB		
<b>MAIN LINK INPUT PINS</b>				
IN_D1	38, 39	1, 2	I	DisplayPort Main Link Channel 0 Differential Input
IN_D2	41, 42	4, 5	I	DisplayPort Main Link Channel 1 Differential Input
IN_D3	44, 45	6, 7	I	DisplayPort Main Link Channel 2 Differential Input
IN_D4	47, 48	9, 10	I	DisplayPort Main Link Channel 3 Differential Input
<b>MAIN LINK PORT B OUTPUT PINS</b>				
OUT_D1	23, 22	30, 29	O	TMDS Data 2 Differential Output
OUT_D2	20, 19	27, 26	O	TMDS Data 1 Differential Output
OUT_D3	17, 16	25, 24	O	TMDS Data 0 Differential Output
OUT_D4	14, 13	22, 21	O	TMDS Data Clock Differential Output
<b>HOT PLUG DETECT PINS</b>				
HPD_SOURCE	7	16	O	Hot Plug Detect Output
HPD_SINK	30	35	I	Hot Plug Detect Input
<b>AUXILIARY DATA PINS</b>				
SDA_SOURCE, SCL_SOURCE	8, 9	17, 18	I/O	Source Side Bidirectional DisplayPort Auxiliary Data Line
SDA_SINK, SCL_SINK	29, 28	34, 33	I/O	TMDS Port Bidirectional DDC Data Lines
<b>CONTROL PINS</b>				
OE_N	25	31	I	Output Enable and power saving function for High Speed Differential level shifter path.
NC	10	11, 20, 40		No Connect
OVS	35	39	I	DDC I2C buffer offset select
DDC_EN	32	36	I	Enables or Disables the DDC I2C buffer
HPDINV	34	38	I	HPD_SOURCE Logic and Level Select
VSadj	6	15	I	TMDS Compliant Voltage Swing Control
SRC	3	13	I	TMDS outputs rise and fall time select
I2C_EN	4	14	I	Internal I <sup>2</sup> C register enable, used for HDMI / DVI connector differentiation
<b>SUPPLY AND GROUND PINS</b>				
VCC	2, 11, 15, 21, 26, 33, 40, 46	3, 8, 12, 19, 23, 28, 32, 37		3.3V Supply
GND	1, 5, 12, 18, 24, 27, 31, 36, 37, 43	Thermal Pad		Ground

**Table 1. Control Pin Lookup Table**

SIGNAL	LEVEL <sup>(1)</sup>	STATE	DESCRIPTION
OE_N	H	Power Saving Mode	Main Link is disabled. IN_Dx termination = 50 Ω with common mode voltage set to 0V. OUT_Dx outputs = high impedance
	L	Normal Mode	IN_Dx termination = 50 Ω OUT_Dx outputs = active
I <sup>2</sup> C_EN	H	HDMI	The Internal I2C register is active and readable when the TMDS port is selected indicating that the connector being used is HDMI. This mode selects the fastest rise and fall time for the TMDS differential output signals
	L	DVI	The Internal I2C register is disabled and not readable when the TMDS port is selected indicating that the connector being used is DVI. This mode selects a slower rise and fall time for the TMDS differential output signals See <a href="#">Application Information</a> .

(1) (H) Logic High; (L) Logic Low; (Z) High Z

**Table 1. Control Pin Lookup Table (continued)**

SIGNAL	LEVEL <sup>(1)</sup>	STATE	DESCRIPTION
VSadj	4.02 kΩ ±5%	Output Voltage Swing Control	Driver output voltage swing precision control to aid with system compliance
HPDINV	H	HPD Inversion	HPD_SOURCE VOH = 0.9V (typical) and HPD logic is inverted
	L	HPD non- inversion	HPD_SOURCE VOH = 3.2V (typical) and HPD logic is non-inverted
SRC	H	Edge Rate: Slowest	SRC helps to slow down the rise and fall time. SRC =High adds ~60ps to the rise and fall time of the TMDS differential output signals in addition to the I <sup>2</sup> C_EN pin selection (recommended setting)
	L	Edge Rate: Slow	SRC helps to slow down the rise and fall time. SRC =Low adds ~30ps to the rise and fall time of the TMDS differential output signals in addition to the I <sup>2</sup> C_EN pin selection
	Hi-Z	Edge Rate	Leaving the SRC pin High Z, will keep the default rise and fall time of the TMDS differential output signals as selected by the I <sup>2</sup> C_EN pin. It is recommended that an external resistor-divider (less than 100 kΩ) is used so that voltage on this pin = VCC/2, if Hi-Z logic level is intended on this pin.
OVS	H	Offset 1	DDC source side VOL and VIL offset range 1
	L	Offset 2	DDC source side VOL and VIL offset range 2
	Hi-Z	Offset 3	DDC source side VOL and VIL offset range 3 It is recommended that an external resistor-divider (less than 100 kΩ) is used so that voltage on this pin = VCC/2, if Hi-Z logic level is intended on this pin.
DDC_EN	H	DDC Buffer enabled	DDC Buffer is enabled
	L	DDC buffer disabled	DDC Buffer is disabled

## 6 Specifications

### 6.1 Absolute Maximum Ratings

 over operating free-air temperature range (unless otherwise noted)<sup>(1)</sup>

		MIN	MAX	UNIT
Supply voltage range <sup>(2)</sup>	VCC	-0.3	3.6	V
Voltage range	Main Link Input (IN_Dx) differential voltage	-0.3	VCC + 0.3	V
	TMDS Outputs (OUT_Dx)	-0.3	VCC + 0.3	
	HPD_SOURCE, SDA_SOURCE, SCL_SOURCE, OVS, DDC_EN, VSadj, SRC, I <sup>2</sup> C_EN	-0.3	VCC + 0.3	
	HPD_SINK, SDA_SINK, SCL_SINK, OE_EN, HPDINV	-0.3	5.5	

(1) Stresses beyond those listed under Absolute Maximum Ratings may cause permanent damage to the device. These are stress ratings only and functional operation of the device at these or any conditions beyond those indicated under *Recommended Operating Conditions* is not implied. Exposure to absolute-maximum-rated conditions for extended periods may affect device reliability.

(2) All voltage values, except differential voltages, are with respect to network ground terminal.

### 6.2 Handling Ratings

		MIN	MAX	UNIT	
T <sub>stg</sub>	Storage temperature range	-55	150	°C	
V <sub>(ESD)</sub>	Electrostatic discharge	Human body model <sup>(1)</sup>	-10	10	kV
		Charged-device model <sup>(2)</sup>	-1.5	1.5	
		Machine model <sup>(3)</sup>	-200	200	V

(1) Tested in accordance with JEDEC Standard 22, Test Method A114-B

(2) Tested in accordance with JEDEC Standard 22, Test Method C101-A

(3) Tested in accordance with JEDEC Standard 22, Test Method A115-A

### 6.3 Recommended Operating Conditions

over operating free-air temperature range (unless otherwise noted)

		MIN	NOM	MAX	UNIT
$V_{CC}$	Supply Voltage	3	3.3	3.6	V
$T_A$	Operating free-air temperature	0		85	°C
<b>MAIN LINK DIFFERENTIAL INPUT PINS</b>					
$V_{ID\_PP}$	Peak-to-peak AC input differential voltage	0.15		1.2	V
$d_R$	Data rate	RGZ package	0.25	3.4	Gbps
		RSB package	0.25	3.4	
$t_{rise\ fall\ time}$	Input Signal Rise and Fall time (20%-80%)	75			ps
$V_{PRE}$	Pre-emphasis on the Input Signal at IN_Dx pins	0	0	0	db
<b>TMDS DIFFERENTIAL OUTPUT PINS</b>					
$AV_{CC}$	TMDS output termination voltage	3	3.3	3.6	V
$d_R$	Data rate	RGZ package	0.25	3.4	Gbps
		RSB package	0.25	3.4	
$R_T$	Termination resistance	45	50	55	$\Omega$
$R_{V_{sadj}}$	TMDS output swing voltage bias resistor <sup>(1)</sup>	3.65	4.02		k $\Omega$
<b>AUXILIARY AND I2C PINS</b>					
$V_I$	Input voltage	SDA_SINK, SCL_SINK	0	5.5	V
		SDA_SOURCE, SCL_SOURCE		3.6	
$d_{R(I2C)}$	I <sup>2</sup> C data rate			100	kHz
<b>HPD_SINK, HPDINV, OE_N</b>					
$V_{IH}$	High-level input voltage	2		5.5	V
$V_{IL}$	Low-level input voltage	0		0.8	V
<b>DDC_EN, I2C_EN</b>					
$V_{IH}$	High-level input voltage	2		3.6	V
$V_{IL}$	Low-level input voltage	0		0.8	V
<b>SRC, OVS</b>					
$V_{IH\_SRC\_OVS}$	High-level input voltage	3		3.6	V
$V_{IL\_SRC\_OVS}$	Low-level input voltage	0		0.5	V

- (1)  $R_{V_{sadj}}$  resistor controls the SN75DP139 Driver output voltage swing and thus helps in meeting system compliance. It is recommended that  $R_{V_{sadj}}$  resistor should be above the MIN value as indicated in the RECOMMENDED OPERATING CONDITIONS table, however for NOM and MAX value, [Figure 19](#) could be used as reference. It is important to note that system level losses,  $AV_{CC}$  and  $R_T$  variation affect  $R_{V_{sadj}}$  resistor selection. Worse case variation on system level losses,  $AV_{CC}$ ,  $R_T$  could make  $R_{V_{sadj}}$  resistor value of 4.02 k $\Omega$   $\pm$ 5% result in non-compliant TMDS output voltage swing. In such cases [Figure 19](#) could be used as reference.

### 6.4 Thermal Information

over operating free-air temperature range (unless otherwise noted)

PARAMETER		TEST CONDITIONS		MIN	TYP	MAX <sup>(1)</sup>	UNIT
$\theta_{JB}$	Junction-to-board thermal resistance		RGZ package		10.9		°C/W
			RSB package		10.8		
$\theta_{JCT}$	Junction-to-case-top thermal resistance		RGZ package		22.5		°C/W
			RSB package		24.4		
$\psi_{JB}$	Junction-to-board thermal resistance metric	High-K board <sup>(2)</sup>	RGZ package		10.9		°C/W
			RSB package		10.8		
$\psi_{JT}$	Junction-to-top thermal resistance metric	High-K board <sup>(2)</sup>	RGZ package		0.5		°C/W
			RSB package		0.4		

- (1) The maximum rating is simulated under 3.6V  $V_{CC}$  unless otherwise noted.

- (2) Test conditions for  $\psi_{JB}$  and  $\psi_{JT}$  are clarified in TI document [SPRA953](#), IC Package Thermal Metrics.

## Thermal Information (continued)

over operating free-air temperature range (unless otherwise noted)

PARAMETER		TEST CONDITIONS	MIN	TYP	MAX <sup>(1)</sup>	UNIT
P <sub>D1</sub>	Device power dissipation <sup>(3)</sup>	<b>HDMI Mode:</b> OE_N = 0V, DDC_EN = 3.6V, V <sub>CC</sub> = 3.6V, ML: VID_PP = 1200mV, 3Gbps TMDS pattern AUX: V <sub>I</sub> = 3.3V, 100 kHz PRBS HPD: HPD_SINK = 5V, I2C_EN = 3.6V, SRC = Hi-Z		270+146	396+146	mW
P <sub>D2</sub>	Device power dissipation <sup>(3)</sup>	<b>DVI Mode:</b> OE_N = 0V, DDC_EN = 3.6V, V <sub>CC</sub> = 3.6V, ML: VID_PP = 1200mV, 3Gbps TMDS pattern AUX: V <sub>I</sub> = 3.3V, 100 kHz PRBS HPD: HPD_SINK = 5V, I2C_EN = 0V, SRC = Hi-Z		214+146	306+146	mW
P <sub>SD1</sub>	Device power dissipation under low power with HPDINV = LOW	OE_N = 5V, DDC_EN = 0V, HPDINV = 0V, HPD_SINK = 0V		18	54	μW
P <sub>SD2</sub>	Device power dissipation under low power with HPDINV = HIGH	OE_N = 5V, DDC_EN = 0V, HPDINV = 5V		1.7	3	mW
P <sub>SD3</sub>	Device power dissipation under low power with DDC enabled with HPDINV = HIGH	OE_N = 5V, DDC_EN = 3.6V, HPDINV = 5V		16.5	29	mW
P <sub>SD4</sub>	Device power dissipation under low power with DDC enabled with HPDINV = LOW	OE_N = 5V, DDC_EN = 3.6V, HPDINV = 0V		15	26	mW

(3) Power dissipation is the sum of the power consumption from the VCC pins, plus the 146 mW of power from the AVCC (HDMI/DVI Receiver Termination Supply).

## 6.5 Electrical Characteristics (Device Power)

over operating free-air temperature range (unless otherwise noted)

PARAMETER		TEST CONDITIONS	MIN	TYP	MAX	UNIT
I <sub>CC1</sub>	Supply current (HDMI Mode)	<b>HDMI Mode:</b> OE_N = 0V, DDC_EN = 3.6 V, V <sub>CC</sub> = 3.6 V, ML: VID_PP = 1200 mV, 3 Gbps TMDS pattern AUX: V <sub>I</sub> = 3.3 V, 100 kHz PRBS HPD: HPD_SINK = 5 V, I2C_EN = 3.6 V, SRC = Hi-Z		82	110	mA
I <sub>CC2</sub>	Supply Current (DVI Mode)	<b>DVI Mode:</b> OE_N = 0V, DDC_EN = 3.6 V, V <sub>CC</sub> = 3.6 V, ML: VID_PP = 1200 mV, 3 Gbps TMDS pattern AUX: V <sub>I</sub> = 3.3 V, 100 kHz PRBS HPD: HPD_SINK = 5 V, I2C_EN = 0 V, SRC = Hi-Z		65	85	mA
I <sub>SD1</sub>	Shutdown current with HPDINV = LOW	OE_N = 5 V, DDC_EN = 0 V, HPDINV = 0 V, HPD_SINK = 0 V		5.5	15	μA
I <sub>SD2</sub>	Shutdown current with HPDINV = HIGH	OE_N = 5 V, DDC_EN = 0 V, HPDINV = 5 V		0.5	0.8	mA
I <sub>SD3</sub>	Shutdown current with DDC enabled with HPDINV = HIGH	OE_N = 5 V, DDC_EN = 3.6 V, HPDINV = 5 V		5	8	mA
I <sub>SD4</sub>	Shutdown current with DDC enabled with HPDINV = LOW	OE_N = 5 V, DDC_EN = 3.6 V, HPDINV = 0 V		4.5	7.2	mA

## 6.6 Electrical Characteristics (Hot Plug Detect)

over recommended operating conditions (unless otherwise noted)

PARAMETER		TEST CONDITIONS	MIN	TYP	MAX	UNIT
V <sub>OH3.3</sub>	High-level output voltage	I <sub>OH</sub> = -100 μA, V <sub>CC</sub> = 3.3 V ±10%, HPDINV = LOW	2.8		3.6	V
V <sub>OH1.1</sub>	High-level output voltage	I <sub>OH</sub> = -100 μA, V <sub>CC</sub> = 3.3 V ±10%, HPDINV = HIGH	0.8		1.1	V
V <sub>OL</sub>	Low-level output voltage	I <sub>OH</sub> = 100 μA	0		0.1	V



## Electrical Characteristics (Hot Plug Detect) (continued)

over recommended operating conditions (unless otherwise noted)

PARAMETER		TEST CONDITIONS	MIN	TYP	MAX	UNIT
$I_{IH}$	High-level input current	$V_{IH} = 2.0\text{ V}$ , $V_{CC} = 3.6\text{ V}$	-30		30	$\mu\text{A}$
$I_{IL}$	Low-level input current	$V_{IL} = 0.8\text{ V}$ , $V_{CC} = 3.6\text{ V}$	-30		30	$\mu\text{A}$
$R_{INTHPD}$	Input pull down on HPD_SINK (HPD Input)		110	130	160	$\text{k}\Omega$

## 6.7 Electrical Characteristics (Aux / I<sup>2</sup>C Pins)

over recommended operating conditions (unless otherwise noted)

PARAMETER		TEST CONDITIONS	MIN	TYP	MAX	UNIT
$I_L$	Low input current	$V_{CC} = 3.6\text{ V}$ , $V_I = 0\text{ V}$	-10		10	$\mu\text{A}$
$I_{lkg(AUX)}$	Input leakage current	AUX_I <sup>2</sup> C pins (SCL_SOURCE, SDA_SOURCE) $V_{CC} = 3.6\text{ V}$ , $V_I = 3.6\text{ V}$	-10		10	$\mu\text{A}$
$C_{IO(AUX)}$	Input/Output capacitance	AUX_I <sup>2</sup> C pins (SCL_SOURCE, SDA_SOURCE) DC bias = 1.65 V, AC = 2.1Vp-p, f = 100 kHz			15	pF
$V_{IH(AUX)}$	High-level input voltage	AUX_I <sup>2</sup> C pins (SCL_SOURCE, SDA_SOURCE)	1.6		3.6	V
$V_{IL1(AUX)}$	Low-level input voltage	AUX_I <sup>2</sup> C pins (SCL_SOURCE, SDA_SOURCE) OVS = HIGH	-0.2		0.36	V
$V_{OL1(AUX)}$	Low-level output voltage	AUX_I <sup>2</sup> C pins (SCL_SOURCE, SDA_SOURCE) $I_O = 3\text{ mA}$ , OVS = HIGH	0.6		0.7	V
$V_{IL2(AUX)}$	Low-level input voltage	AUX_I <sup>2</sup> C pins (SCL_SOURCE, SDA_SOURCE) OVS = Hi-Z	-0.2		0.36	V
$V_{OL2(AUX)}$	Low-level output voltage	AUX_I <sup>2</sup> C pins (SCL_SOURCE, SDA_SOURCE) $I_O = 3\text{ mA}$ , OVS = Hi-Z	0.5		0.6	V
$V_{IL3(AUX)}$	Low-level input voltage	AUX_I <sup>2</sup> C pins (SCL_SOURCE, SDA_SOURCE) OVS = Low	-0.2		0.27	V
$V_{OL3(AUX)}$	Low-level output voltage	AUX_I <sup>2</sup> C pins (SCL_SOURCE, SDA_SOURCE) $I_O = 3\text{ mA}$ , OVS = Low	0.4		0.5	V
$I_{lkg(I2C)}$	Input leakage current	I <sup>2</sup> C SDA/SCL pins (SCL_SINK, SDA_SINK) $V_{CC} = 3.6\text{ V}$ , $V_I = 4.95\text{ V}$	-10		10	$\mu\text{A}$
$C_{IO(I2C)}$	Input/Output capacitance	I <sup>2</sup> C SDA/SCL pins (SCL_SINK, SDA_SINK) DC bias = 2.5 V, AC = 3.5Vp-p, f = 100 kHz			15	pF
$V_{IH(I2C)}$	High-level input voltage	I <sup>2</sup> C SDA/SCL pins (SCL_SINK, SDA_SINK)	2.1		5.5	V
$V_{IL(I2C)}$	Low-level input voltage	I <sup>2</sup> C SDA/SCL pins (SCL_SINK, SDA_SINK)	-0.2		1.5	V
$V_{OL(I2C)}$	Low-level output voltage	I <sup>2</sup> C SDA/SCL pins (SCL_SINK, SDA_SINK) $I_O = 3\text{ mA}$			0.2	V

### 6.8 Electrical Characteristics (TMD5 and Main Link Pins)

over recommended operating conditions (unless otherwise noted)

PARAMETER		TEST CONDITIONS	MIN	TYP	MAX	UNIT
$V_{OH}$	Single-ended HIGH level output voltage	AVCC = 3.3 V, $R_T = 50 \Omega$ ,	AVCC-10		AVCC+10	mV
$V_{OL}$	Single-ended LOW level output voltage		AVCC-600		AVCC-400	mV
$V_{SWING}$	Single-ended output voltage swing		400		600	mV
$V_{OC(SS)}$	Change in steady-state common-mode output voltage between logic states		-5		5	mV
$V_{OD(PP)}$	Peak-to-Peak output differential voltage		800		1200	mV
$V_{(O)SBY}$	Single-ended standby output voltage	AVCC = 3.3 V, $R_T = 50 \Omega$ , OE_N = High	AVCC-10		AVCC+10	mV
$I_{(O)OFF}$	Single-ended power down output current	$0V \leq V_{CC} \leq 1.5 V$ , AVCC = 3.3 V, $R_T = 50\Omega$	-10		10	$\mu A$
$I_{OS}$	Short circuit output current	See Figure 14	-15		15	mA
$R_{INT}$	Input termination impedance		40	50	60	$\Omega$
$V_{term}$	Input termination voltage		1		2	V

### 6.9 Switching Characteristics (Hot Plug Detect)

over recommended operating conditions (unless otherwise noted)

PARAMETER	TEST CONDITIONS	MIN	TYP	MAX	UNIT
$t_{PD(HPD)}$	$V_{CC} = 3.6 V$	2		30	ns

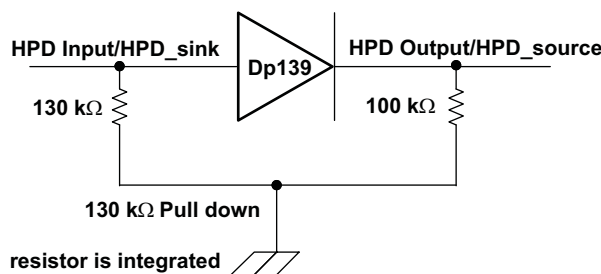


Figure 1. HPD Test Circuit (HPDINV = LOW)

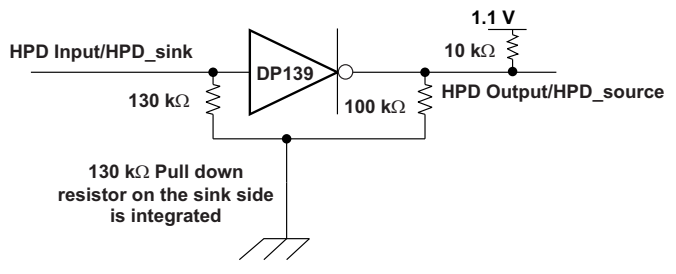


Figure 2. HPD Test Circuit (VOH = 1.1), HPDINV = HIGH

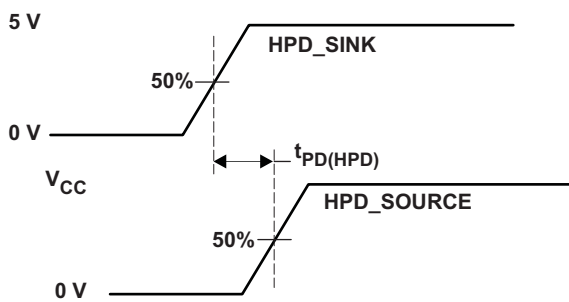


Figure 3. HPD Timing Diagram (HPDINV = LOW)

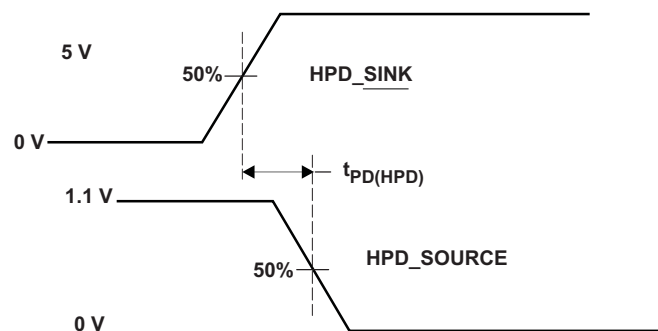


Figure 4. HPD Timing Diagram (HPDINV = HIGH)

### 6.10 Switching Characteristics (Aux / I<sup>2</sup>C Pins)

over recommended operating conditions (unless otherwise noted)

PARAMETER	TEST CONDITIONS	MIN	TYP	MAX	UNIT	
t <sub>PLH1</sub>	Propagation delay time, low to high			204	600	ns
t <sub>PHL1</sub>	Propagation delay time, high to low			35	200	ns
t <sub>PLH2</sub>	Propagation delay time, low to high			80	251	ns
t <sub>PHL2</sub>	Propagation delay time, high to low			35	200	ns
t <sub>f1</sub>	Output signal fall time			20	72	ns
t <sub>f2</sub>	Output signal fall time			20	72	ns
f <sub>SCL</sub>	SCL clock frequency for internal register				100	kHz
t <sub>W(L)</sub>	Clock LOW period for I <sup>2</sup> C register			4.7		μs
t <sub>W(H)</sub>	Clock HIGH period for internal register			4.0		μs
t <sub>SU1</sub>	Internal register setup time, SDA to SCL			250		ns
t <sub>h(1)</sub>	Internal register hold time, SCL to SDA			0		μs
T <sub>(buf)</sub>	Internal register bus free time between STOP and START			4.7		μs
t <sub>SU(2)</sub>	Internal register setup time, SCL to START			4.7		μs
t <sub>h(2)</sub>	Internal register hold time, START to SCL			4.0		μs
t <sub>SU(3)</sub>	Internal register hold time, SCL to STOP			4.0		μs

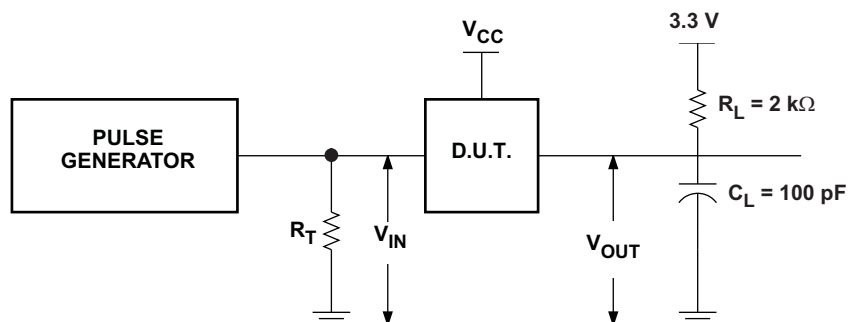


Figure 5. Source Side Test Circuit (SCL\_SOURCE, SDA\_SOURCE)

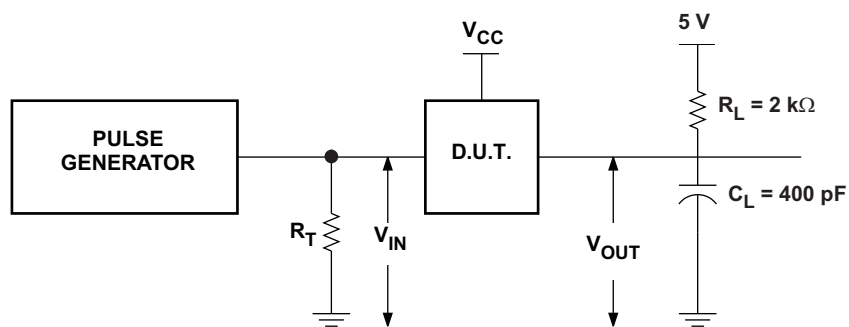
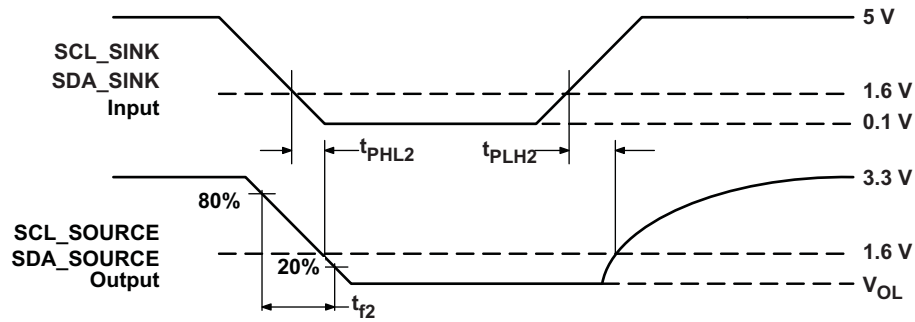
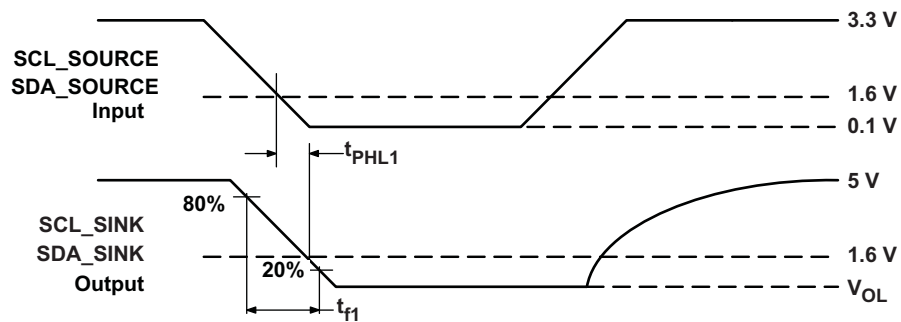
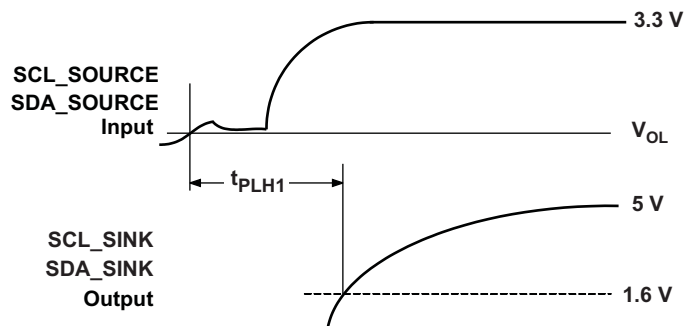


Figure 6. Sink Side Test Circuit (SCL\_SINK, SDA\_SINK)


**Figure 7. Source Side Output AC Measurements**

**Figure 8. Sink Side Output AC Measurements**

**Figure 9. Sink Side Output AC Measurements Continued**

### 6.11 Switching Characteristics (TMDS and Main Link Pins)

over recommended operating conditions (unless otherwise noted)

PARAMETER		TEST CONDITIONS	MIN	TYP	MAX	UNIT
$t_{PLH}$	Propagation delay time	AVCC=3.3 V, $R_T = 50 \Omega$ , $f = 1\text{MHz}$ , $R_{V_{sadj}} = 4.02 \text{ k}\Omega$	250	350	600	ps
$t_{PHL}$	Propagation delay time		250	350	600	ps
$t_{R1}$	Rise Time (I2C_EN = HI, SRC = Hi-Z)		60	85	120	ps
$t_{F1}$	Fall Time (I2C_EN = HI, SRC = Hi-Z)		60	85	120	ps
$t_{R2}$	Rise Time (I2C_EN = Low, SRC = Hi-Z)			115	150	ps
$t_{F2}$	Fall Time (I2C_EN = Low, SRC = Hi-Z)			115	150	ps
$t_{R3}$	Rise Time (I2C_EN = HI, SRC = HI)			150	180	ps
$t_{F3}$	Fall Time (I2C_EN = HI, SRC = HI)			150	180	ps
$t_{R4}$	Rise Time (I2C_EN = HI, SRC = Low)			115	150	ps
$t_{F4}$	Fall Time (I2C_EN = HI, SRC = Low)			115	150	ps
$t_{R5}$	Rise Time (I2C_EN = Low, SRC = HI)			175	220	ps
$t_{F5}$	Fall Time (I2C_EN = Low, SRC = HI)			175	220	ps
$t_{R6}$	Rise Time (I2C_EN = Low, SRC = Low)			150	180	ps
$t_{F6}$	Fall Time (I2C_EN = Low, SRC = Low)			150	180	ps
$t_{SK(P)}$	Pulse skew			8	15	ps
$t_{SK(D)}$	Intra-pair skew			20	65	ps
$t_{SK(O)}$	Inter-pair skew			20	100	ps
$t_{JITD(PP)}$	Peak-to-peak output residual data jitter		AVCC = 3.3 V, $R_T = 50 \Omega$ , dR = 3Gbps, TMDS output slew rate (default). $R_{V_{sadj}} = 4.02 \text{ k}\Omega$ (refer to Figure 13)		14	50
$t_{JITC(PP)}$	Peak-to-peak output residual clock jitter	AVCC = 3.3 V, $R_T = 50 \Omega$ , $f = 300 \text{ MHz}$ TMDS output slew rate (default). $R_{V_{sadj}} = 4.02 \text{ k}\Omega$ (refer to Figure 13)		8	30	ps

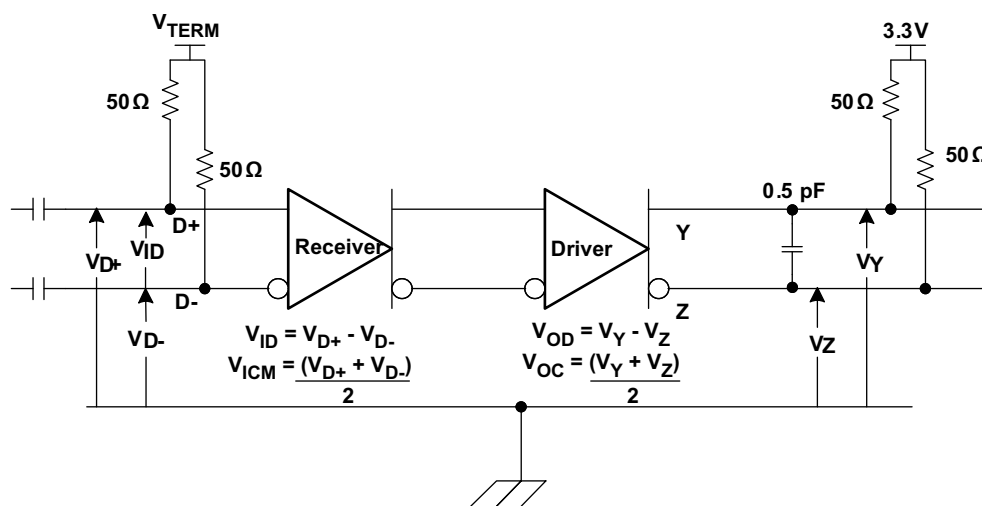


Figure 10. TMDS Main Link Test Circuit

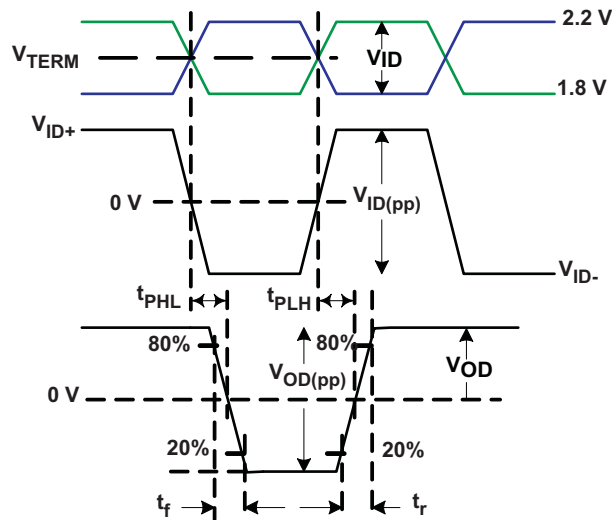


Figure 11. TMD5 Main Link Timing Measurements

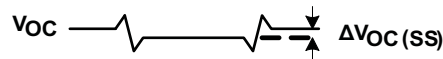
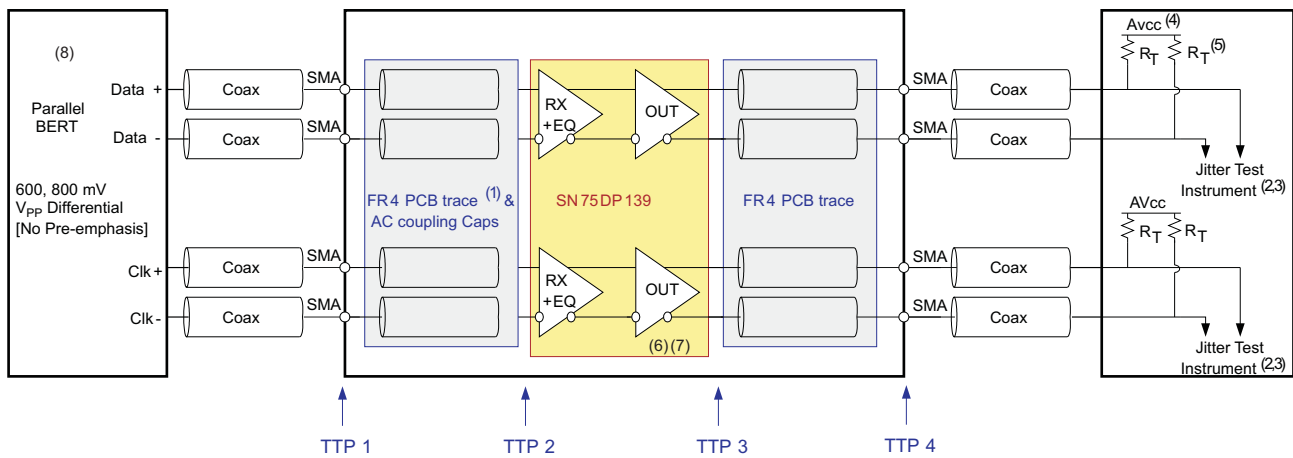


Figure 12. TMD5 Main Link Common Mode Measurements



1. The FR4 trace between TTP1 and TTP2 is designed to emulate 1-8" of FR4, AC coupling cap, connector and another 1-8" of FR4. Trace width - 4 mils.
2. All Jitter is measured at a BER of  $10^{-9}$
3. Residual jitter reflects the total jitter measured at TTP4 minus the jitter measured at TTP1
4. AVCC = 3.3V
5. RT = 50Ω.
6. Jitter data is taken with SN75DP139 configured in the fastest slew rate setting (default)
7. Rvsadj = 4.02kΩ
8. The input signal from parallel BERT does not have any pre-emphasis. Refer to recommended operating conditions

Figure 13. TMD5 Jitter Measurements

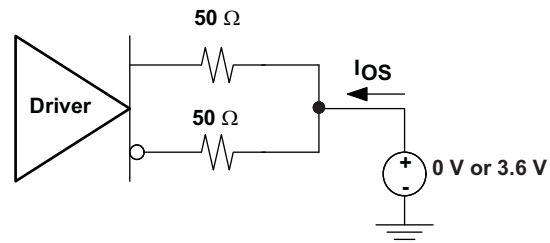


Figure 14. TMD5 Main Link Short Circuit Output Circuit

SN75DP139

SLLS977E – APRIL 2009 – REVISED SEPTEMBER 2014

www.ti.com

6.12 Typical Characteristics

AVCC = 3.3 V, R<sub>T</sub> = 50 Ω

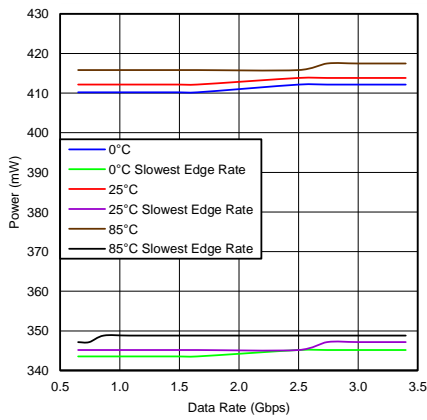


Figure 15. Power Dissipation vs Data Rate

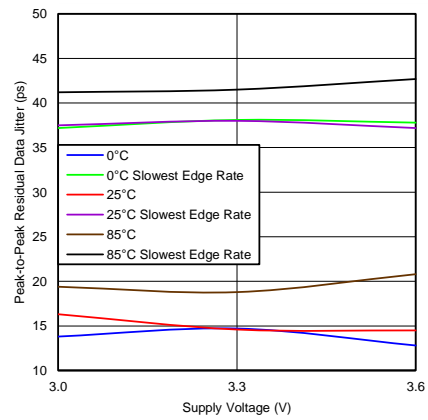


Figure 16. Residual Jitter of 3 Gbps vs Supply Voltage

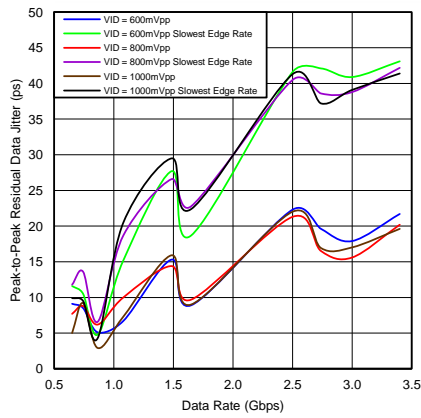


Figure 17. Residual Jitter vs Data Rate (RGZ Package)

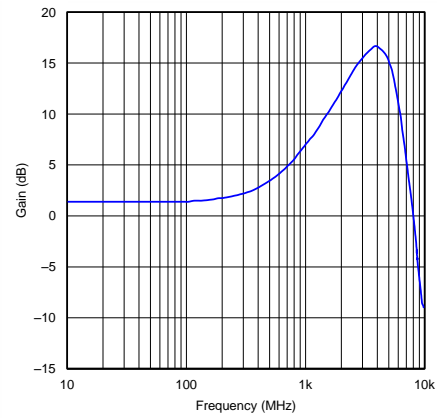


Figure 18. Gain vs Frequency

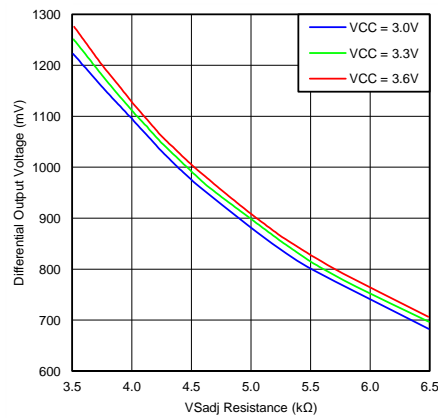


Figure 19. VOD vs V<sub>SADJ</sub>



## 7 Detailed Description

### 7.1 Overview

The SN75DP139 is a Dual-Mode DisplayPort input to Transition-Minimized Differential Signaling (TMDS) output. The TMDS output has a built in level shifting re-driver supporting Digital Video Interface (DVI) 1.0 and High Definition Multimedia Interface (HDMI) 1.4b standards.

An integrated Active I2C buffer isolates the capacitive loading of the source system from that of the sink and interconnecting cable. This isolation improves overall signal integrity of the system and allows for considerable design margin within the source system for DVI / HDMI compliance testing.

A logic block was designed into the SN75DP139 in order to assist with TMDS connector identification. Through the use of the I2C\_EN pin, this logic block can be enabled to indicate the translated port is an HDMI port; therefore legally supporting HDMI content.

### 7.2 Functional Block Diagram

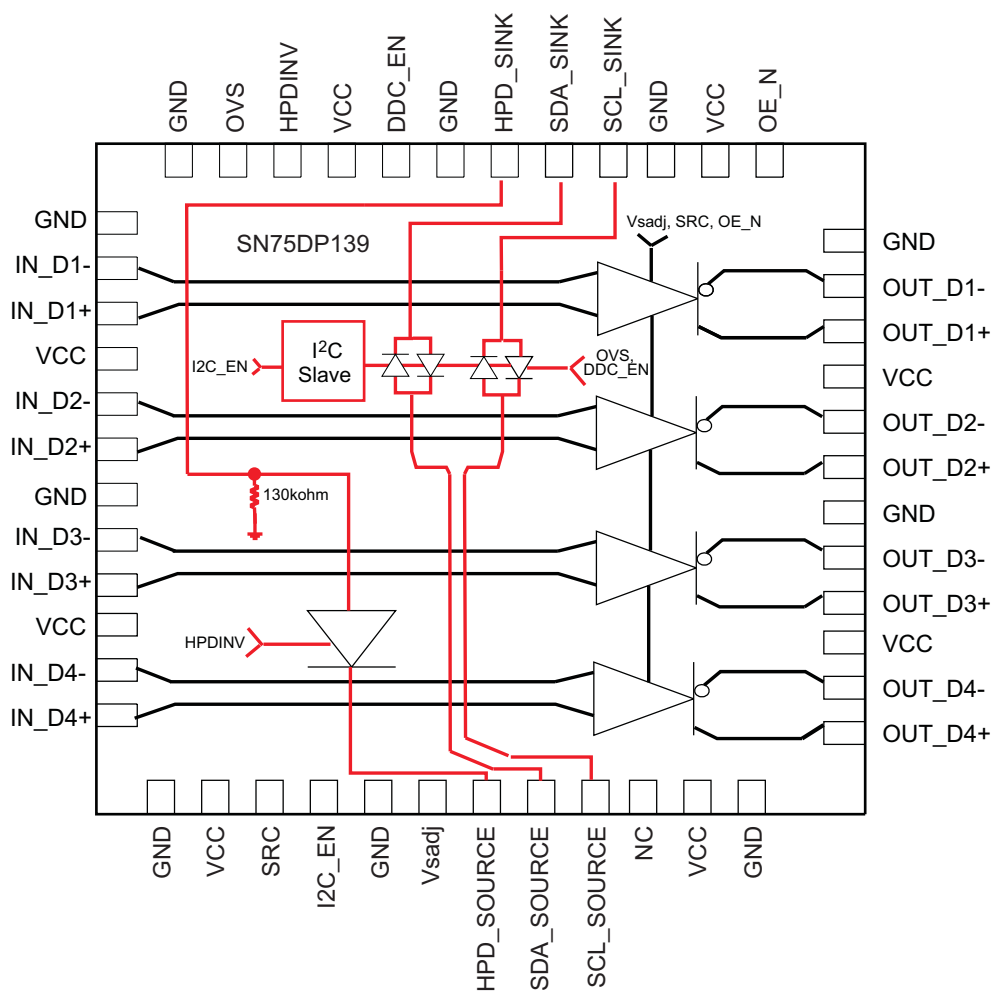


Figure 20. Data Flow Block Diagram

### 7.3 Feature Description

The SN75DP139 is designed to operate off of one supply voltage VCC.

The SN75DP139 offers features to enable or disable different functionality based on the status of the output enable (OE\_N) and DDC Enable (DDC\_EN) inputs.

- OE\_N affects only the High Speed Differential channels (Main Link/TMDS link). OE\_N has no influence on the HPD\_SINK input, HPD\_SOURCE output, or the DDC buffer.
- DDC\_EN affects only the DDC channel. The DDC\_EN should never change state during the I2C operation. Disabling DDC\_EN during a bus operation will hang the bus, while enabling the DDC\_EN during bus traffic will corrupt the I2C bus operation. DDC\_EN should only be toggled while the bus is idle.
- TMDS output edge rate control has impact on the SN75DP139 Active power. See [Figure 15](#). TMDS output edge rate can be controlled by SRC pin. Slower output Edge Rate Setting helps in reducing the Active power consumption.

**Table 2. Packaging Options**

HPD_SINK	HPDINV	OE_N	DDC_EN	IN_Dx	OUT_Dx	DDC	HPD_SOURCE	MODE
Input = H or L	L	L	L	50 Ω termination active	Enabled	High-impedance	Output = non inverted, follows HPD_SINK	Active
Input = H or L	L	L	H	50 Ω termination active	Enabled	enabled	Output = non inverted, follows HPD_SINK	Active
Input = H or L	L	H	L	50 Ω termination active: Terminations connected to common Mode Voltage = 0V.	High-impedance	High-impedance	Output = non inverted, follows HPD_SINK	Low Power
Input = H or L	L	H	H	50 Ω termination active: Terminations connected to common Mode Voltage = 0V.	High-impedance	enabled	Output = non inverted, follows HPD_SINK	Low Power with DDC channel enabled
Input = H or L	H	L	L	50 Ω termination active	Enabled	High-impedance	Output = inverted, follows HPD_SINK	Active
Input = H or L	H	L	H	50 Ω termination active	Enabled	enabled	Output = inverted, follows HPD_SINK	Active
Input = H or L	H	H	L	50 Ω termination active: Terminations connected to common Mode Voltage = 0V.	High-impedance	High-impedance	Output = inverted, follows HPD_SINK	Low Power
Input = H or L	H	H	H	50 Ω termination active: Terminations connected to common Mode Voltage = 0V.	High-impedance	enabled	Output = inverted, follows HPD_SINK	Low Power with DDC channel enabled

L = LOW, H = HIGH

#### 7.3.1 Hot Plug Detect

The SN75DP139 has a built in level shifter for the HPD outputs. The output voltage level of the HPD pin is defined by the voltage level of the VCC pin. The HPD input or HPD\_SINK side has 130kohm of pull down resistor integrated.

The logic of the HPD\_SOURCE output always follows the logic state of the HPD\_SINK input based on the HPDINV pin logic, regardless of whether the device is in Active or Low Power Mode

### 7.3.2 Aux / I<sup>2</sup>C Pins

The SN75DP139 utilizes an active I<sup>2</sup>C repeater. The repeater is designed to isolate the parasitic effects of the system in order to aid with system level compliance.

In addition to the I<sup>2</sup>C repeater, the SN75DP139 also supports the connector detection I<sup>2</sup>C register. This register is enabled via the I<sup>2</sup>C\_EN pin. When active an internal memory register is readable via the AUX\_I<sup>2</sup>C I/O. The functionality of this register block is described in the [Programming](#) section.

### 7.3.3 TMDS and Main Link Pins

The main link inputs are designed to support DisplayPort 1.1 specification. The TMDS outputs of the SN75DP139 are designed to support the Digital Video Interface (DVI) 1.0 and High Definition Multimedia Interface (HDMI) 1.4b specifications. The differential output voltage swing can be fine tuned with the R<sub>Vsadj</sub> resistor.

The DP++ (dual-mode) input of the SN75DP139 is designed to accommodate the standard DP level ac coupled signal with no pre-emphasis with up to 16 inches of trace (4 mil 100 Ω differential stripline).

### 7.3.4 Input/Output Equivalent Circuits

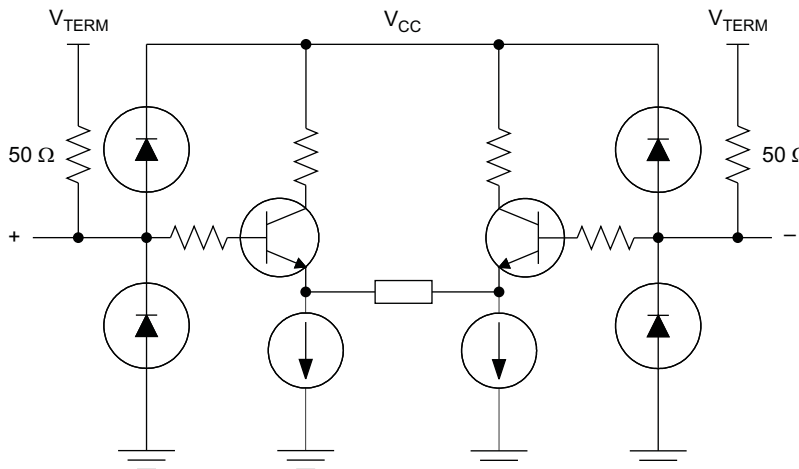
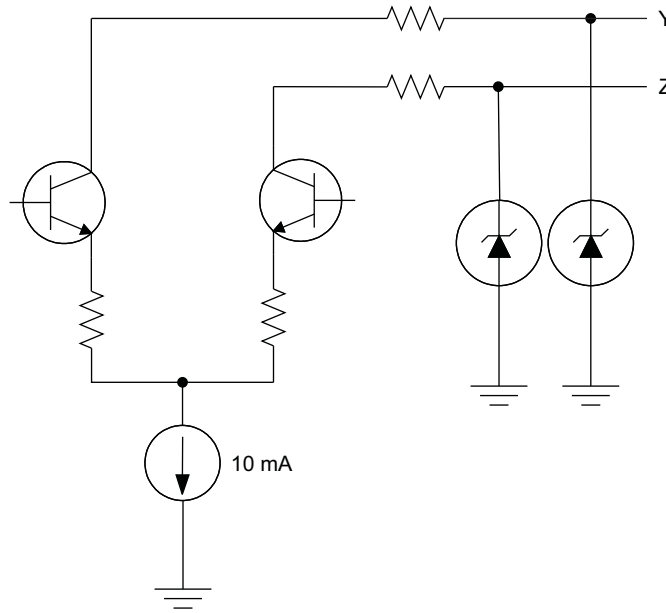
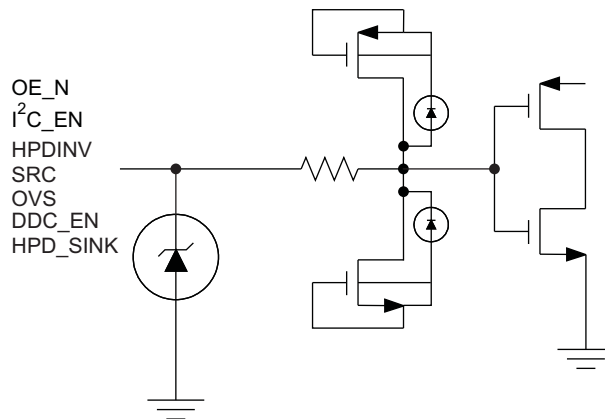


Figure 21. DisplayPort Input Stage



**Figure 22. TMD5 Output Stage**



**Figure 23. HPD and Control Input Stage**

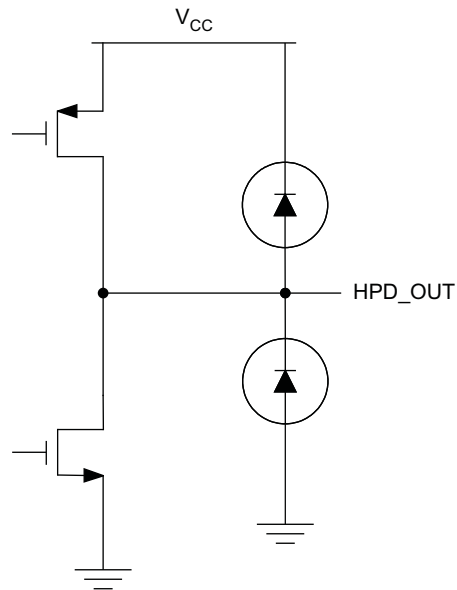


Figure 24. HPD Output Stage

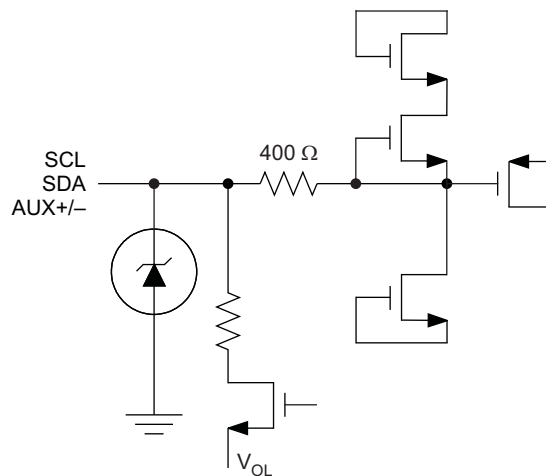


Figure 25. I<sup>2</sup>C Input and Output Stage

## 7.4 Device Functional Modes

### 7.4.1 Active

The SN75DP139 activates the main link channel and thus is able to transmit the TMDS content.

### 7.4.2 Low Power With DDC Channel Enabled

The SN75DP139 is in low power but keeps its DDC channel active, this allows the device to configure its internal I2C registers.

### 7.4.3 Low Power

The SN75DP139 is in the lowest power mode, with no activity on the DDC or main link channels.

## 7.5 Programming

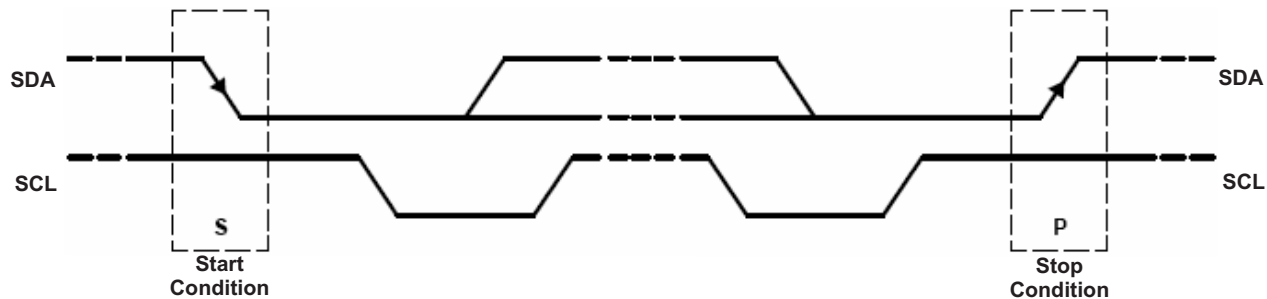
### 7.5.1 I<sup>2</sup>C Interface Notes

The I<sup>2</sup>C interface can be used to access the internal memory of the SN75DP139. I<sup>2</sup>C is a two-wire serial interface developed by Philips Semiconductor (see I<sup>2</sup>C-Bus Specification, Version 2.1, January 2000). The bus consists of a data line (SDA) and a clock line (SCL) with pull-up structures. When the bus is *idle*, both SDA and SCL lines are pulled high. All the I<sup>2</sup>C compatible devices connect to the I<sup>2</sup>C bus through open drain I/O pins, SDA and SCL. A *master* device, usually a microcontroller or a digital signal processor, controls the bus. The master is responsible for generating the SCL signal and device addresses. The master also generates specific conditions that indicate the START and STOP of data transfer. A *slave* device receives and/or transmits data on the bus under control of the master device. The SN75DP139 works as a slave and supports the standard mode transfer (100 kbps) as defined in the I<sup>2</sup>C-Bus Specification.

The basic I<sup>2</sup>C start and stop access cycles are shown in [Figure 26](#).

The basic access cycle consists of the following:

- A start condition
- A slave address cycle
- Any number of data cycles
- A stop condition



**Figure 26. I<sup>2</sup>C Start And Stop Conditions**

### 7.5.2 General I<sup>2</sup>C Protocol

- The *master* initiates data transfer by generating a *start condition*. The *start condition* is when a high-to-low transition occurs on the SDA line while SCL is high, as shown in [Figure 28](#). All I<sup>2</sup>C-compatible devices should recognize a *start condition*.
- The master then generates the SCL pulses and transmits the 7-bit address and the *read/write direction bit* R/W on the SDA line. During all transmissions, the master ensures that data is *valid*. A *valid data condition* requires the SDA line to be stable during the entire high period of the clock pulse (see [Figure 27](#)). All devices recognize the address sent by the master and compare it to their internal fixed addresses. Only the slave device with a matching address generates an *acknowledge* (see [Figure 28](#)) by pulling the SDA line low during the entire high period of the ninth SCL cycle. On detecting this acknowledge, the master knows that a communication link with a slave has been established.
- The master generates further SCL cycles to either *transmit* data to the slave (R/W bit 0) or *receive* data from the slave (R/W bit 1). In either case, the receiver needs to acknowledge the data sent by the *transmitter*. So an acknowledge signal can either be generated by the master or by the slave, depending on which one is the receiver. The 9-bit valid data sequences consisting of 8-bit data and 1-bit acknowledge can continue as long as necessary (See [Figure 29](#)).
- To signal the end of the data transfer, the master generates a *stop condition* by pulling the SDA line from low to high while the SCL line is high (see [Figure 29](#)). This releases the bus and stops the communication link with the addressed slave. All I<sup>2</sup>C compatible devices must recognize the stop condition. Upon the receipt of a *stop condition*, all devices know that the bus is released, and they wait for a *start condition* followed by a matching address.

Programming (continued)

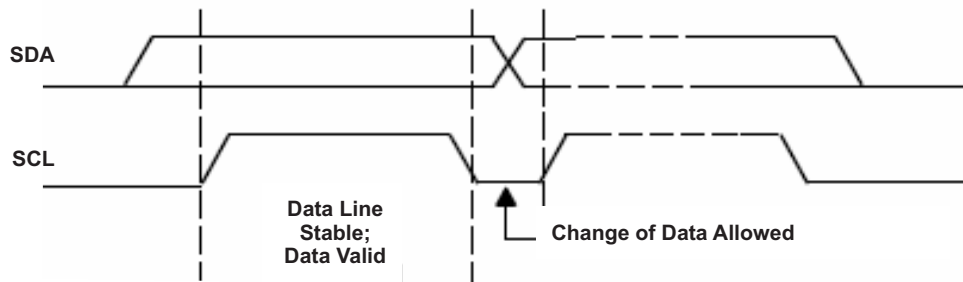


Figure 27. I<sup>2</sup>C Bit Transfer

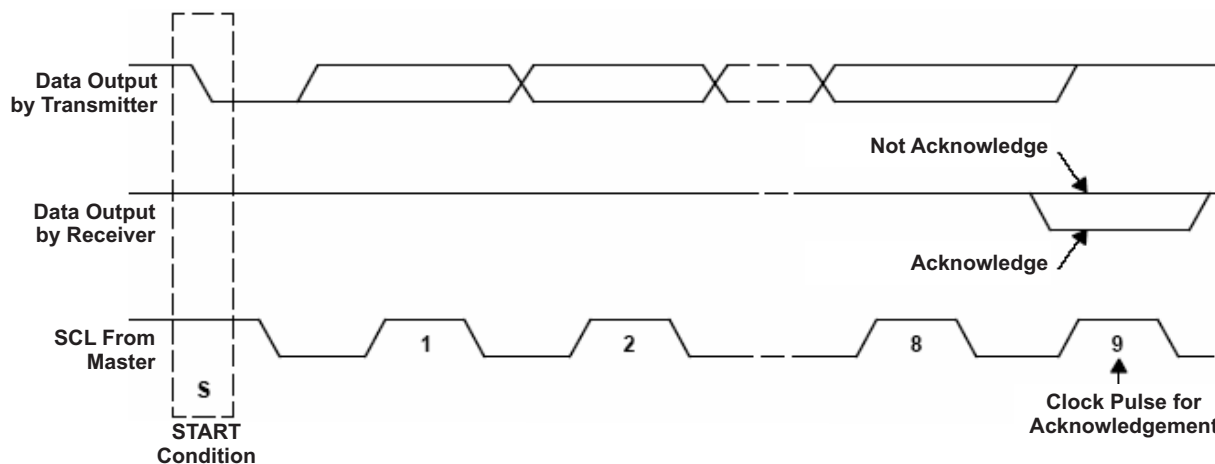


Figure 28. I<sup>2</sup>C Acknowledge

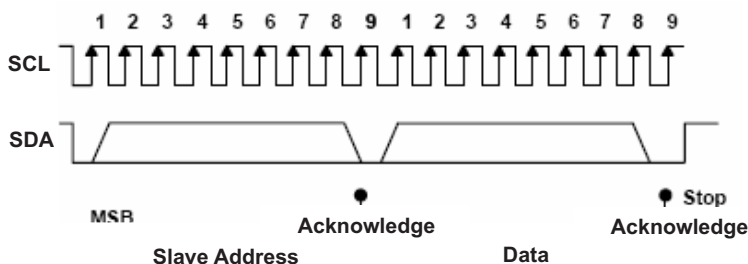


Figure 29. I<sup>2</sup>C Address And Data Cycles

During a read cycle, the slave receiver will acknowledge the initial address byte if it decodes the address as its address. Following this initial acknowledge by the slave, the master device becomes a receiver and acknowledges data bytes sent by the slave. When the master has received all of the requested data bytes from the slave, the not acknowledge (A) condition is initiated by the master by keeping the SDA signal high just before it asserts the stop (P) condition. This sequence terminates a read cycle as shown in [Figure 30](#) and [Figure 31](#). See Example – Reading from the SN75DP139 section for more information.

Programming (continued)

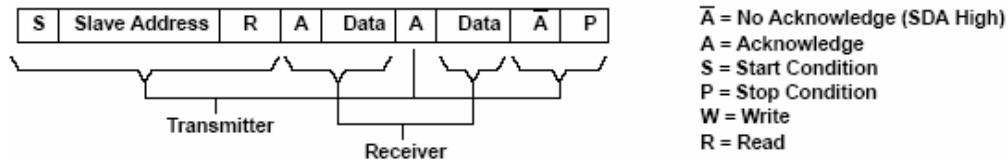


Figure 30. I<sup>2</sup>C Read Cycle

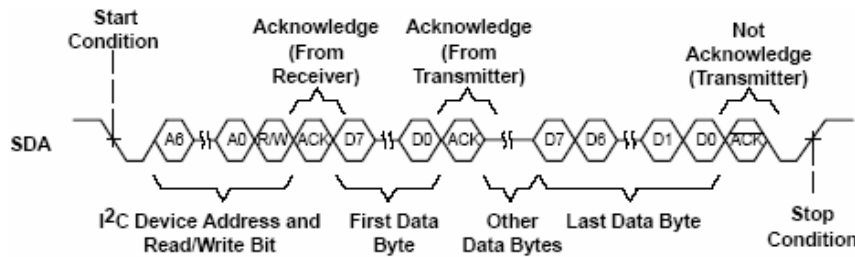


Figure 31. Multiple Byte Read Transfer

7.5.3 Slave Address

Both SDA and SCL must be connected to a positive supply voltage via a pull-up resistor. These resistors should comply with the I<sup>2</sup>C specification that ranges from 2kΩ to 19kΩ. When the bus is free, both lines are high. The address byte is the first byte received following the START condition from the master device. The 7-bit address is factory preset to 1000000. Table 3 lists the calls that the SN75DP139 will respond to.

Table 3. SN75DP139 Slave Address

Fixed Address							Read/Write Bit
Bit 7 (MSB)	Bit 6	Bit 5	Bit 4	Bit 3	Bit 2	Bit 1	Bit 0 (R/W)
1	0	0	0	0	0	0	1

7.5.3.1 Sink Port Selection Register And Source Plug-In Status Register Description (Sub-Address)

The SN75DP139 operates using a multiple byte transfer protocol similar to Figure 31. The internal memory of the SN75DP139 contains the phrase “DP-HDMI ADAPTOR<EOT>” converted to ASCII characters. The internal memory address registers and the value of each can be found in Table 4.

During a read cycle, the SN75DP139 will send the data in its selected sub-address in a single transfer to the master device requesting the information. See the **Example – Reading from the SN75DP139** section of this document for the proper procedure on reading from the SN75DP139.

Table 4. SN75DP139 Sink Port And Source Plug-In Status Registers Selection

Address	0x00	0x01	0x02	0x03	0x04	0x05	0x06	0x07	0x08	0x09	0x0A	0x0B	0x0C	0x0D	0x0E	0x0F	0x10
Data	44	50	2D	48	44	4D	49	20	41	44	41	50	54	4F	52	04	FF

7.5.3.2 Example – Reading From The SN75DP139:

The read operation consists of several steps. The I<sup>2</sup>C master begins the communication with the transmission of the start sequence followed by the slave address of the SN75DP139 and logic address of 00h. The SN75DP139 will acknowledge its presence to the master and begin to transmit the contents of the memory registers. After each byte is transferred the SN75DP139 will wait for either an acknowledge (ACK) or a not-acknowledge (NACK) from the master. If an ACK is received the next byte of data will be transmitted. If a NACK is received the data transmission sequence is expected to end and the master should send the stop command.



The SN75DP139 will continue to send data as long as the master continues to acknowledge each byte transmission. If an ACK is received after the transmission of byte 0x0F the SN75DP139 will transmit byte 0x10 and continue to transmit byte 0x10 for all further ACK's until a NACK is received.

The SN75DP139 also supports an accelerated read mode where steps 1–6 can be skipped.

### SN75DP139 Read Phase

<b>Step 1</b>	<b>0</b>
I <sup>2</sup> C Start (Master)	S

<b>Step 2</b>	<b>7</b>	<b>6</b>	<b>5</b>	<b>4</b>	<b>3</b>	<b>2</b>	<b>1</b>	<b>0</b>
I <sup>2</sup> C General Address Write (Master)	1	0	0	0	0	0	0	0

<b>Step 3</b>	<b>9</b>
I <sup>2</sup> C Acknowledge (Slave)	A

<b>Step 4</b>	<b>7</b>	<b>6</b>	<b>5</b>	<b>4</b>	<b>3</b>	<b>2</b>	<b>1</b>	<b>0</b>
I <sup>2</sup> C Logic Address (Master)	0	0	0	0	0	0	0	0

<b>Step 5</b>	<b>9</b>
I <sup>2</sup> C Acknowledge (Slave)	A

<b>Step 6</b>	<b>0</b>
I <sup>2</sup> C Stop (Master)	P

<b>Step 7</b>	<b>0</b>
I <sup>2</sup> C Start (Master)	S

<b>Step 8</b>	<b>7</b>	<b>6</b>	<b>5</b>	<b>4</b>	<b>3</b>	<b>2</b>	<b>1</b>	<b>0</b>
I <sup>2</sup> C General Address Read (Master)	1	0	0	0	0	0	0	1

<b>Step 9</b>	<b>9</b>
I <sup>2</sup> C Acknowledge (Slave)	A

<b>Step 10</b>	<b>7</b>	<b>6</b>	<b>5</b>	<b>4</b>	<b>3</b>	<b>2</b>	<b>1</b>	<b>0</b>
I <sup>2</sup> C Read Data (Slave)	Data	Data	Data	Data	Data	Data	Data	Data

Where Data is determined by the Logic values Contained in the Sink Port Register

<b>Step 11</b>	<b>9</b>
I <sup>2</sup> C Not-Acknowledge (Master)	X

Where X is an A (Acknowledge) or  $\bar{A}$  (Not-Acknowledge)

An A causes the pointer to increment and step 10 is repeated.

An  $\bar{A}$  causes the slave to stop transmitting and proceeds to step 12.

<b>Step 12</b>	<b>0</b>
I <sup>2</sup> C Stop (Master)	P

## 8 Application and Implementation

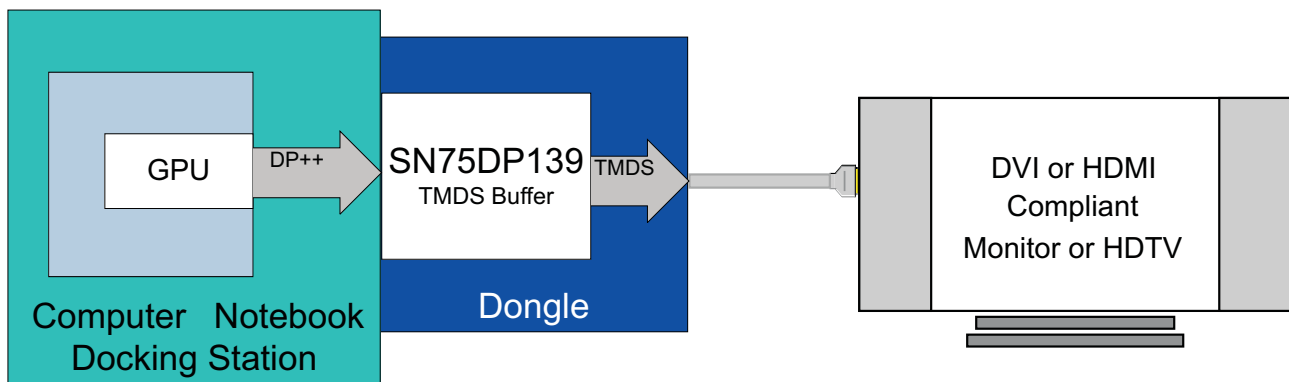
### NOTE

Information in the following applications sections is not part of the TI component specification, and TI does not warrant its accuracy or completeness. TI's customers are responsible for determining suitability of components for their purposes. Customers should validate and test their design implementation to confirm system functionality.

### 8.1 Application Information

The typical application for the SN75DP139 is to translate from DP++ to TMDS, and thus expand the connectivity for any DP++ source to HDMI 1.4b and DVI sinks. This can be clearly explained when you have the SN75DP139 in a dongle connected to the DP++ source.

### 8.2 Typical Application



GPU - Graphics Processing Unit  
 DP++ - Dual-Mode DisplayPort  
 TMDS - Transition-Minimized Differential Signaling  
 DVI - Digital Visual Interface

HDMI - High Definition Multimedia Interface

Figure 32. Typical Application

#### 8.2.1 Design Requirements

DESIGN PARAMETERS	VALUE
VDD Main Power Supply	3.0 - 3.6 V
Main Link Peak-to-Peak AC Input Differential Voltage	0.15 - 1.2 V
TMDS Output Termination Voltage	3.0 - 3.6 V
TMDS Output Swing Voltage Bias Resistor	3.65 - 4.02 kΩ

#### 8.2.2 Detailed Design Procedure

##### 8.2.2.1 DVI Application

In DVI application case, it is recommended that between the SN75DP139 TMDS outputs (OUT\_Dx) and a through hole DVI connector that a series resistor placeholder is incorporated. This could help in case if there are signal integrity issues as well as help pass system level compliance.

### 8.2.3 Application Curve

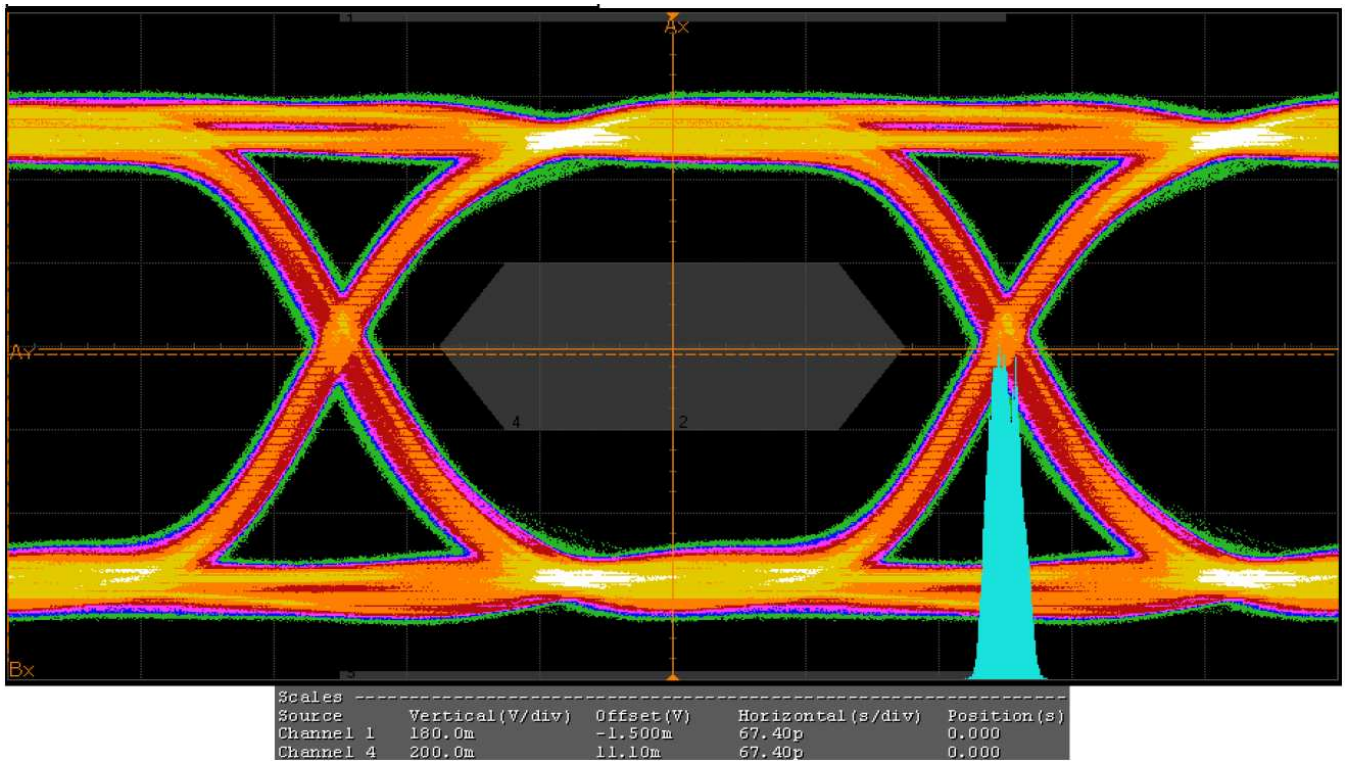


Figure 33. Data Jitter

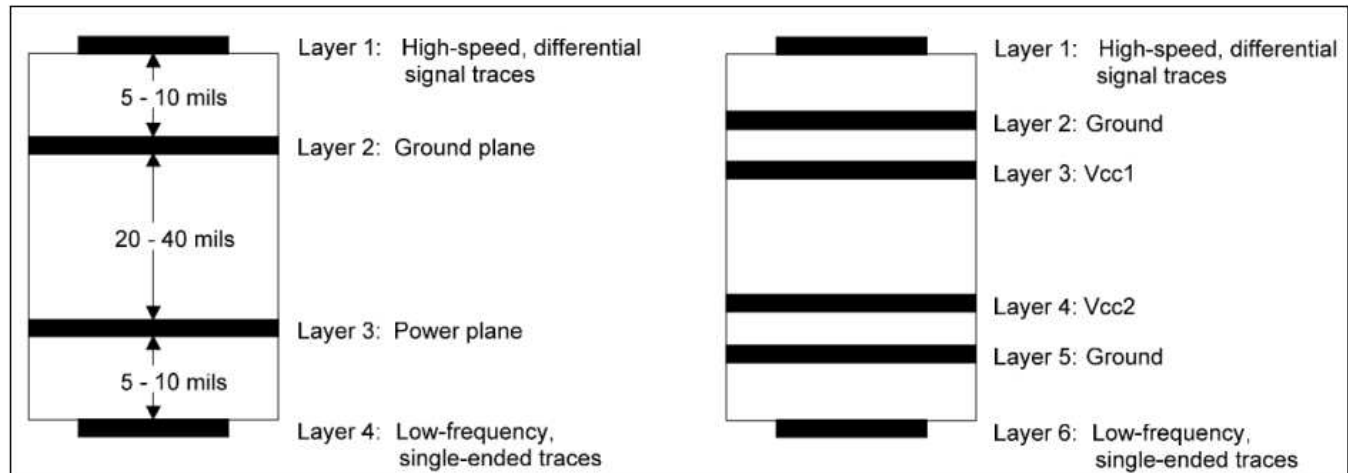
## 9 Power Supply Recommendations

Use a VCC power rail able to supply 110 mA for the SN75DP139, Place four 1 uF, two 0.1 uF and two 0.01 uF capacitors under the SN75DP139 and close to the VCC pins, all connector in parallel between VCC and GND.

## 10 Layout

### 10.1 Layout Guidelines

#### 10.1.1 Layer Stack



**Figure 34. Recommended 4- or 6- Layer (0.062") Stack for a Receiver PCB Design**

Routing the high-speed differential signal traces on the top layer avoids the use of vias (and the introduction of their inductances) and allows for clean interconnects from the DisplayPort connectors to the repeater inputs and from the repeater output to the subsequent receiver circuit.

Placing a solid ground plane next to the high-speed signal layer establishes controlled impedance for transmission line interconnects and provides an excellent low-inductance path for the return current flow.

Placing the power plane next to the ground plane creates additional high-frequency bypass capacitance.

Routing the fast-edged control signals on the bottom layer by prevents them from cross-talking into the high-speed signal traces and minimizes EMI.

If the receiver requires a supply voltage different from the one of the repeater, add a second power/ground plane system to the stack to keep it symmetrical. This makes the stack mechanically stable and prevents it from warping. Also, the power and ground plane of each power system can be placed closer together, thus increasing the high-frequency bypass capacitance significantly. Finally, a second power/ground system provides added isolation between the signal layers.

#### 10.1.2 Differential Traces

Guidelines for routing PCB traces are necessary when trying to maintain signal integrity and lower EMI. Although there seems to be an endless number of precautions to be taken, this section provides only a few main recommendations as layout guidance.

1. Reduce intra-pair skew in a differential trace by introducing small meandering corrections at the point of mismatch.
2. Reduce inter-pair skew, caused by component placement and IC pinouts, by making larger meandering correction along the signal path. Use chamfered corners with a length-to-trace width ratio of between 3 and 5. The distance between bends should be 8 to 10 times the trace width.
3. Use 45 degree bends (chamfered corners), instead of right-angle (90°) bends. Right-angle bends increase

## Layout Guidelines (continued)

the effective trace width, which changes the differential trace impedance creating large discontinuities. A 45° bend is seen as a smaller discontinuity.

4. When routing around an object, route both traces of a pair in parallel. Splitting the traces changes the line-to-line spacing, thus causing the differential impedance to change and discontinuities to occur.
5. Place passive components within the signal path, such as source-matching resistors or ac-coupling capacitors, next to each other. Routing as in case a) creates wider trace spacing than in b), the resulting discontinuity, however, is limited to a far narrower area.
6. When routing traces next to a via or between an array of vias, make sure that the via clearance section does not interrupt the path of the return current on the ground plane below.
7. Avoid metal layers and traces underneath or between the pads off the DisplayPort connectors for better impedance matching. Otherwise they will cause the differential impedance to drop below 75  $\Omega$  and fail the board during TDR testing.
8. Use the smallest size possible for signal trace vias and DisplayPort connector pads as they have less impact on the 100  $\Omega$  differential impedance. Large vias and pads can cause the impedance to drop below 85  $\Omega$ .
9. Use solid power and ground planes for 100  $\Omega$  impedance control and minimum power noise.
10. For 100  $\Omega$  differential impedance, use the smallest trace spacing possible, which is usually specified by the PCB vendor.
11. Keep the trace length between the DisplayPort connector and the DisplayPort device as short as possible to minimize attenuation.
12. Use good DisplayPort connectors whose impedances meet the specifications.
13. Place bulk capacitors (for example, 10  $\mu\text{F}$ ) close to power sources, such as voltage regulators or where the power is supplied to the PCB.
14. Place smaller 0.1  $\mu\text{F}$  or 0.01  $\mu\text{F}$  capacitors at the device.

## 10.2 Layout Example

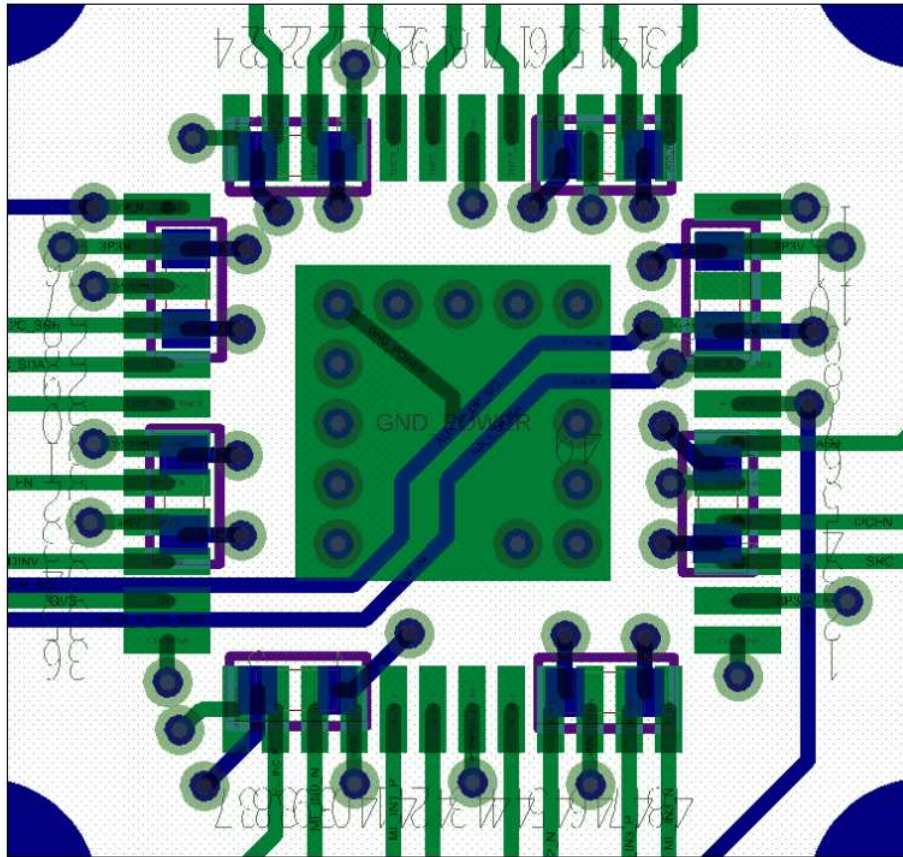


Figure 35. Footprint Example

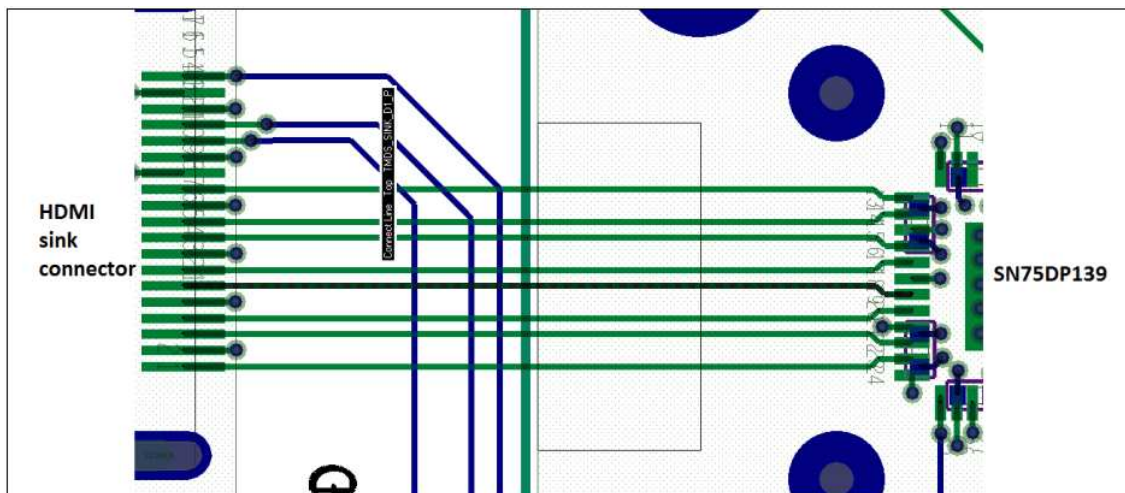


Figure 36. Sink Side Layout Example

Layout Example (continued)

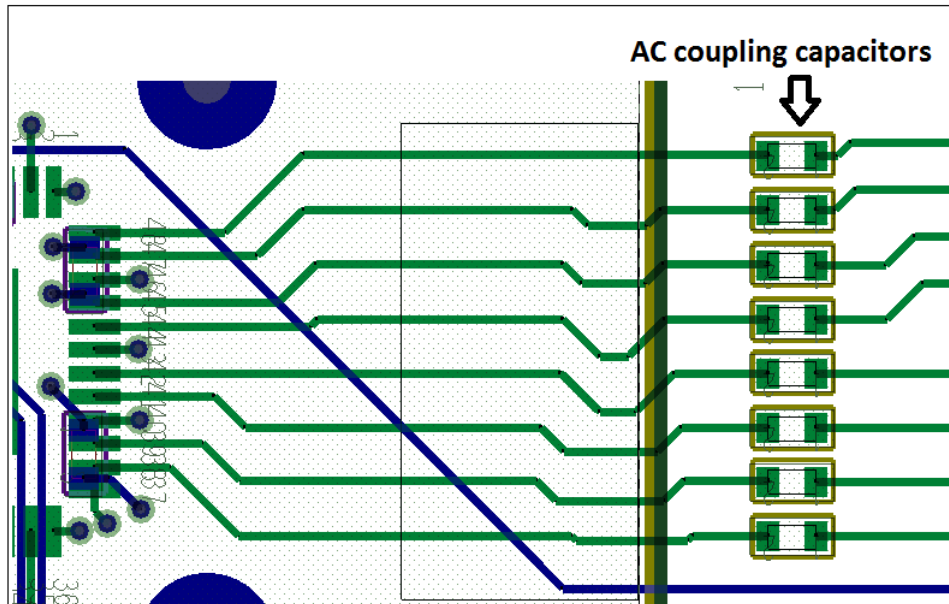


Figure 37. AC Capacitors Placement and Routing Example

## 11 Device and Documentation Support

### 11.1 Trademarks

All trademarks are the property of their respective owners.

### 11.2 Electrostatic Discharge Caution



These devices have limited built-in ESD protection. The leads should be shorted together or the device placed in conductive foam during storage or handling to prevent electrostatic damage to the MOS gates.

### 11.3 Glossary

[SLYZ022](#) — *TI Glossary*.

This glossary lists and explains terms, acronyms, and definitions.

## 12 Mechanical, Packaging, and Orderable Information

The following pages include mechanical, packaging, and orderable information. This information is the most current data available for the designated devices. This data is subject to change without notice and revision of this document. For browser-based versions of this data sheet, refer to the left-hand navigation.



**PACKAGING INFORMATION**

Orderable Device	Status (1)	Package Type	Package Drawing	Pins	Package Qty	Eco Plan (2)	Lead/Ball Finish (6)	MSL Peak Temp (3)	Op Temp (°C)	Device Marking (4/5)	Samples
SN75DP139RGZR	ACTIVE	VQFN	RGZ	48	2500	Green (RoHS & no Sb/Br)	CU NIPDAU	Level-3-260C-168 HR	0 to 85	DP139	<a href="#">Samples</a>
SN75DP139RGZT	ACTIVE	VQFN	RGZ	48	250	Green (RoHS & no Sb/Br)	CU NIPDAU	Level-3-260C-168 HR	0 to 85	DP139	<a href="#">Samples</a>
SN75DP139RSBR	ACTIVE	WQFN	RSB	40	3000	Green (RoHS & no Sb/Br)	CU NIPDAU	Level-2-260C-1 YEAR	0 to 85	DP139	<a href="#">Samples</a>
SN75DP139RSBT	ACTIVE	WQFN	RSB	40	250	Green (RoHS & no Sb/Br)	CU NIPDAU	Level-2-260C-1 YEAR	0 to 85	DP139	<a href="#">Samples</a>

(1) The marketing status values are defined as follows:

**ACTIVE:** Product device recommended for new designs.

**LIFEBUY:** TI has announced that the device will be discontinued, and a lifetime-buy period is in effect.

**NRND:** Not recommended for new designs. Device is in production to support existing customers, but TI does not recommend using this part in a new design.

**PREVIEW:** Device has been announced but is not in production. Samples may or may not be available.

**OBSELETE:** TI has discontinued the production of the device.

(2) Eco Plan - The planned eco-friendly classification: Pb-Free (RoHS), Pb-Free (RoHS Exempt), or Green (RoHS & no Sb/Br) - please check <http://www.ti.com/productcontent> for the latest availability information and additional product content details.

**TBD:** The Pb-Free/Green conversion plan has not been defined.

**Pb-Free (RoHS):** TI's terms "Lead-Free" or "Pb-Free" mean semiconductor products that are compatible with the current RoHS requirements for all 6 substances, including the requirement that lead not exceed 0.1% by weight in homogeneous materials. Where designed to be soldered at high temperatures, TI Pb-Free products are suitable for use in specified lead-free processes.

**Pb-Free (RoHS Exempt):** This component has a RoHS exemption for either 1) lead-based flip-chip solder bumps used between the die and package, or 2) lead-based die adhesive used between the die and leadframe. The component is otherwise considered Pb-Free (RoHS compatible) as defined above.

**Green (RoHS & no Sb/Br):** TI defines "Green" to mean Pb-Free (RoHS compatible), and free of Bromine (Br) and Antimony (Sb) based flame retardants (Br or Sb do not exceed 0.1% by weight in homogeneous material)

(3) MSL, Peak Temp. - The Moisture Sensitivity Level rating according to the JEDEC industry standard classifications, and peak solder temperature.

(4) There may be additional marking, which relates to the logo, the lot trace code information, or the environmental category on the device.

(5) Multiple Device Markings will be inside parentheses. Only one Device Marking contained in parentheses and separated by a "~" will appear on a device. If a line is indented then it is a continuation of the previous line and the two combined represent the entire Device Marking for that device.

(6) Lead/Ball Finish - Orderable Devices may have multiple material finish options. Finish options are separated by a vertical ruled line. Lead/Ball Finish values may wrap to two lines if the finish value exceeds the maximum column width.

**Important Information and Disclaimer:**The information provided on this page represents TI's knowledge and belief as of the date that it is provided. TI bases its knowledge and belief on information provided by third parties, and makes no representation or warranty as to the accuracy of such information. Efforts are underway to better integrate information from third parties. TI has taken and continues to take reasonable steps to provide representative and accurate information but may not have conducted destructive testing or chemical analysis on incoming materials and chemicals. TI and TI suppliers consider certain information to be proprietary, and thus CAS numbers and other limited information may not be available for release.

In no event shall TI's liability arising out of such information exceed the total purchase price of the TI part(s) at issue in this document sold by TI to Customer on an annual basis.

**TAPE AND REEL INFORMATION**

**QUADRANT ASSIGNMENTS FOR PIN 1 ORIENTATION IN TAPE**


\*All dimensions are nominal

Device	Package Type	Package Drawing	Pins	SPQ	Reel Diameter (mm)	Reel Width W1 (mm)	A0 (mm)	B0 (mm)	K0 (mm)	P1 (mm)	W (mm)	Pin1 Quadrant
SN75DP139RGZR	VQFN	RGZ	48	2500	330.0	16.4	7.3	7.3	1.1	12.0	16.0	Q2
SN75DP139RGZR	VQFN	RGZ	48	2500	330.0	16.4	7.3	7.3	1.5	12.0	16.0	Q2
SN75DP139RGZT	VQFN	RGZ	48	250	180.0	16.4	7.3	7.3	1.1	12.0	16.0	Q2
SN75DP139RSBR	WQFN	RSB	40	3000	330.0	12.4	5.3	5.3	1.1	8.0	12.0	Q2
SN75DP139RSBT	WQFN	RSB	40	250	180.0	12.4	5.3	5.3	1.1	8.0	12.0	Q2

## TAPE AND REEL BOX DIMENSIONS



\*All dimensions are nominal

Device	Package Type	Package Drawing	Pins	SPQ	Length (mm)	Width (mm)	Height (mm)
SN75DP139RGZR	VQFN	RGZ	48	2500	367.0	367.0	38.0
SN75DP139RGZR	VQFN	RGZ	48	2500	367.0	367.0	38.0
SN75DP139RGZT	VQFN	RGZ	48	250	210.0	185.0	35.0
SN75DP139RSBR	WQFN	RSB	40	3000	367.0	367.0	35.0
SN75DP139RSBT	WQFN	RSB	40	250	210.0	185.0	35.0

RGZ (S-PVQFN-N48)

PLASTIC QUAD FLATPACK NO-LEAD



4204101/F 06/11

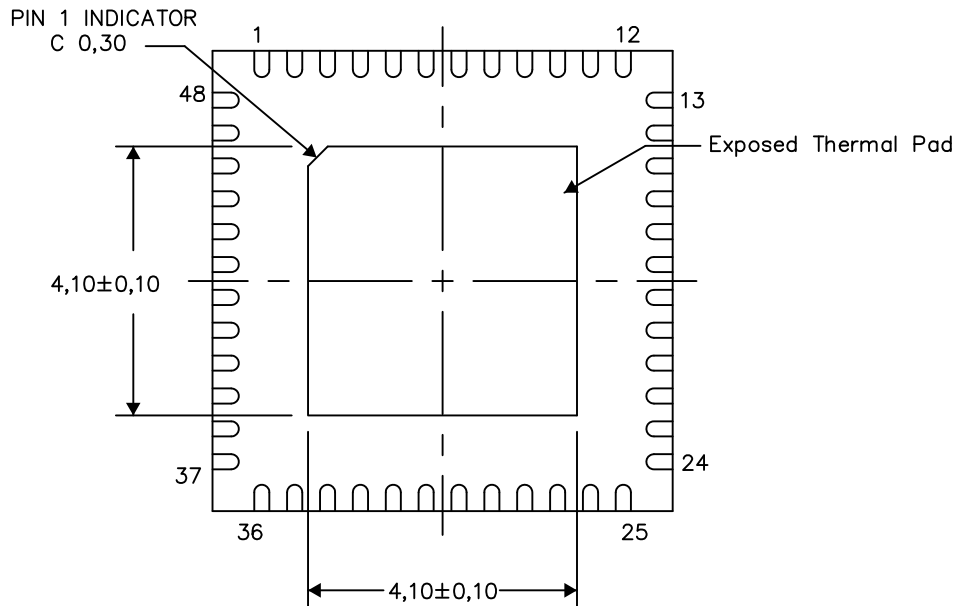
- NOTES:
- A. All linear dimensions are in millimeters. Dimensioning and tolerancing per ASME Y14.5M-1994.
  - B. This drawing is subject to change without notice.
  - C. Quad Flatpack, No-leads (QFN) package configuration.
  - D. The package thermal pad must be soldered to the board for thermal and mechanical performance.
  - E. See the additional figure in the Product Data Sheet for details regarding the exposed thermal pad features and dimensions.
  - F. Falls within JEDEC MO-220.

HERMAL INFORMATION

This package incorporates an exposed thermal pad that is designed to be attached directly to an external heatsink. The thermal pad must be soldered directly to the printed circuit board (PCB). After soldering, the PCB can be used as a heatsink. In addition, through the use of thermal vias, the thermal pad can be attached directly to the appropriate copper plane shown in the electrical schematic for the device, or alternatively, can be attached to a special heatsink structure designed into the PCB. This design optimizes the heat transfer from the integrated circuit (IC).

For information on the Quad Flatpack No-Lead (QFN) package and its advantages, refer to Application Report, QFN/SON PCB Attachment, Texas Instruments Literature No. SLUA271. This document is available at [www.ti.com](http://www.ti.com).

The exposed thermal pad dimensions for this package are shown in the following illustration.



Bottom View

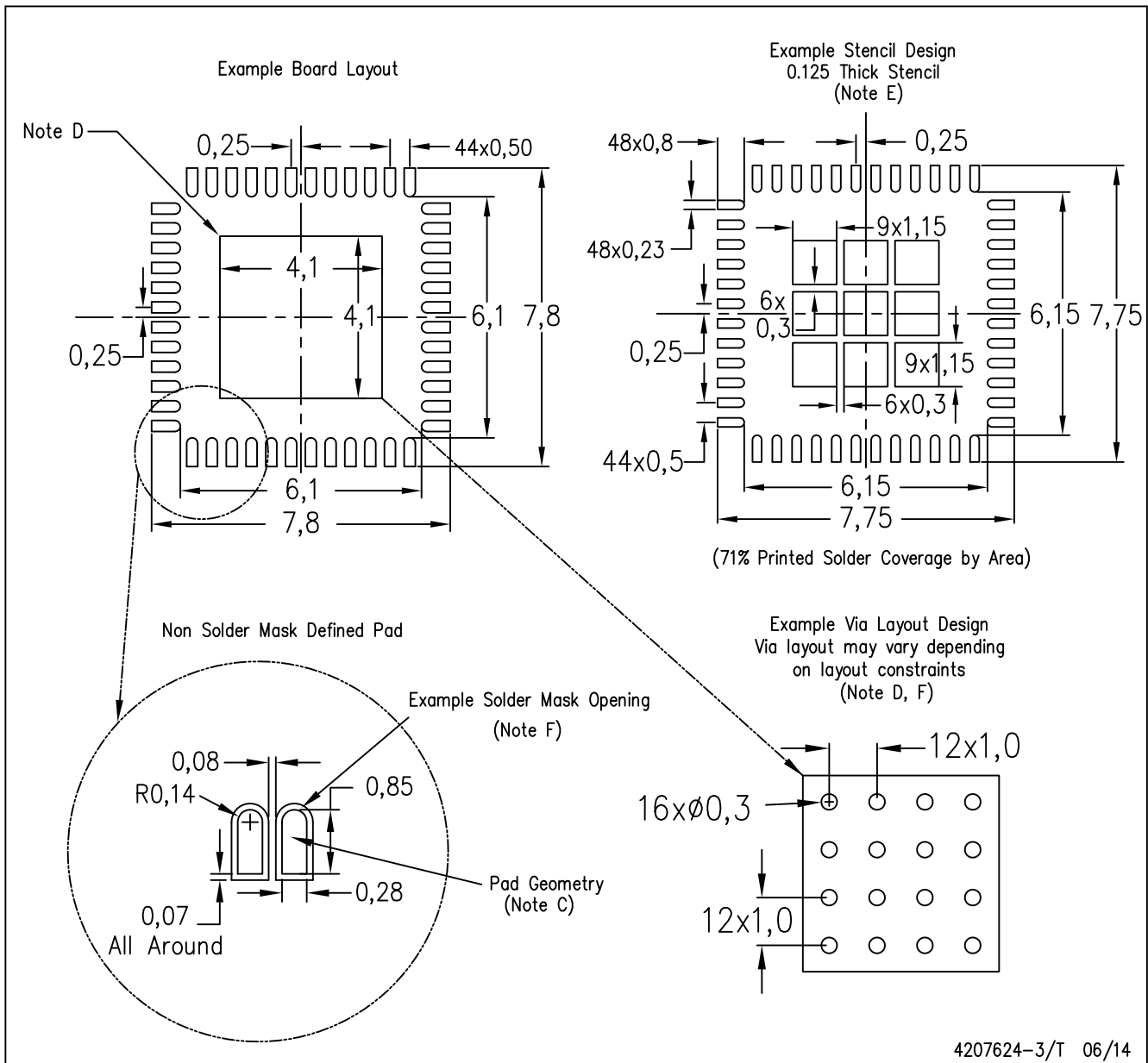
Exposed Thermal Pad Dimensions

4206354-3/Y 06/14

NOTE: All linear dimensions are in millimeters

RGZ (S-PVQFN-N48)

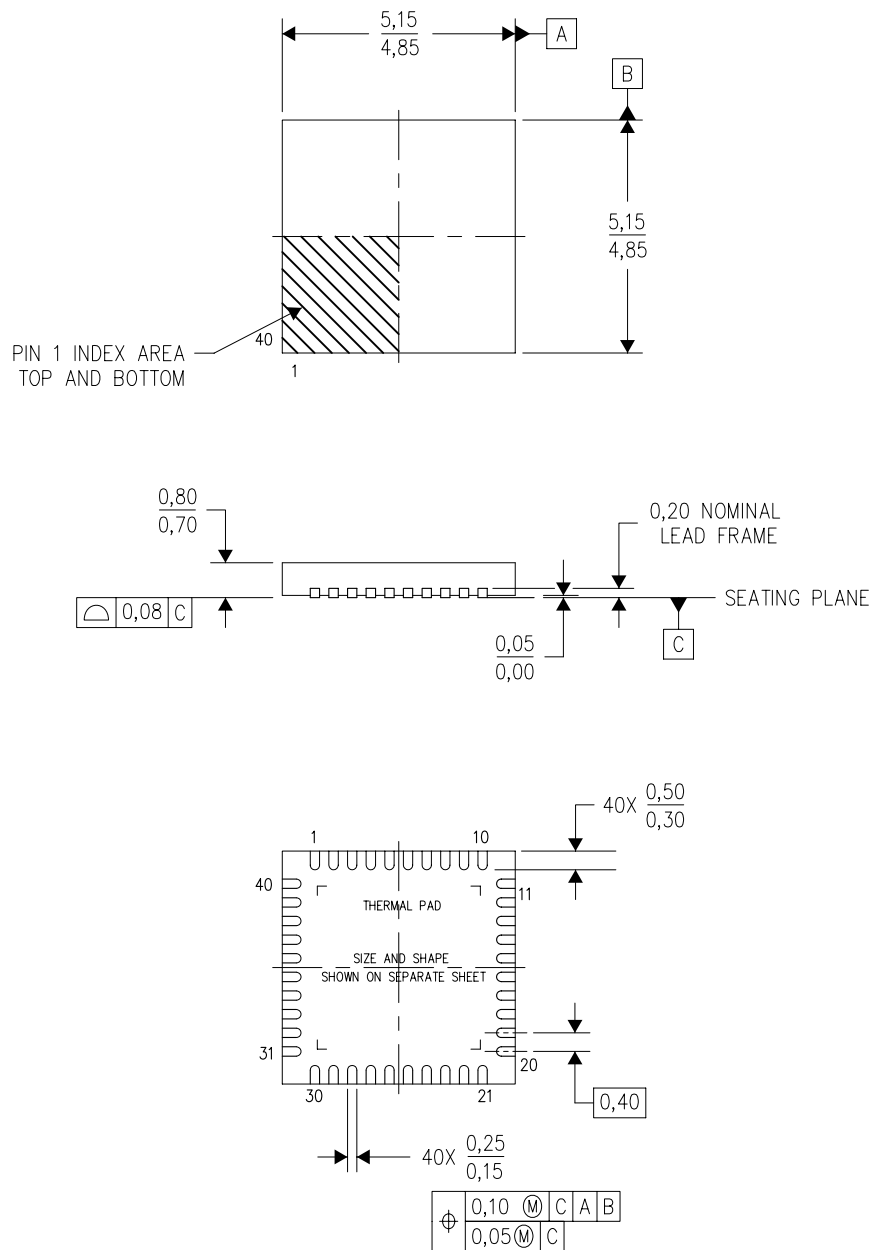
PLASTIC QUAD FLATPACK NO-LEAD



- NOTES:
- A. All linear dimensions are in millimeters.
  - B. This drawing is subject to change without notice.
  - C. Publication IPC-7351 is recommended for alternate designs.
  - D. This package is designed to be soldered to a thermal pad on the board. Refer to Application Note, Quad Flat-Pack Packages, Texas Instruments Literature No. SLUA271, and also the Product Data Sheets for specific thermal information, via requirements, and recommended board layout. These documents are available at [www.ti.com](http://www.ti.com) <<http://www.ti.com>>.
  - E. Laser cutting apertures with trapezoidal walls and also rounding corners will offer better paste release. Customers should contact their board assembly site for stencil design recommendations. Refer to IPC 7525 for stencil design considerations.
  - F. Customers should contact their board fabrication site for recommended solder mask tolerances and via tenting recommendations for vias placed in the thermal pad.

RSB (S-PWQFN-N40)

PLASTIC QUAD FLATPACK NO-LEAD



4207182/C 05/11

- NOTES:
- All linear dimensions are in millimeters. Dimensioning and tolerancing per ASME Y14.5M-1994.
  - This drawing is subject to change without notice.
  - QFN (Quad Flatpack No-Lead) Package configuration.
  - The package thermal pad must be soldered to the board for thermal and mechanical performance.
  - See the additional figure in the Product Data Sheet for details regarding the exposed thermal pad features and dimensions.



## THERMAL PAD MECHANICAL DATA

RSB (S-PWQFN-N40)

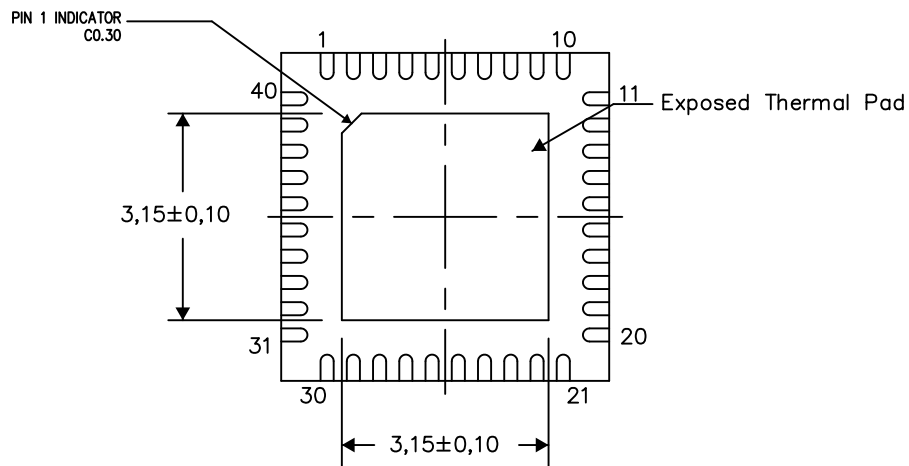
PLASTIC QUAD FLATPACK NO-LEAD

### THERMAL INFORMATION

This package incorporates an exposed thermal pad that is designed to be attached directly to an external heatsink. The thermal pad must be soldered directly to the printed circuit board (PCB). After soldering, the PCB can be used as a heatsink. In addition, through the use of thermal vias, the thermal pad can be attached directly to the appropriate copper plane shown in the electrical schematic for the device, or alternatively, can be attached to a special heatsink structure designed into the PCB. This design optimizes the heat transfer from the integrated circuit (IC).

For information on the Quad Flatpack No-Lead (QFN) package and its advantages, refer to Application Report, QFN/SON PCB Attachment, Texas Instruments Literature No. SLUA271. This document is available at [www.ti.com](http://www.ti.com).

The exposed thermal pad dimensions for this package are shown in the following illustration.



Bottom View

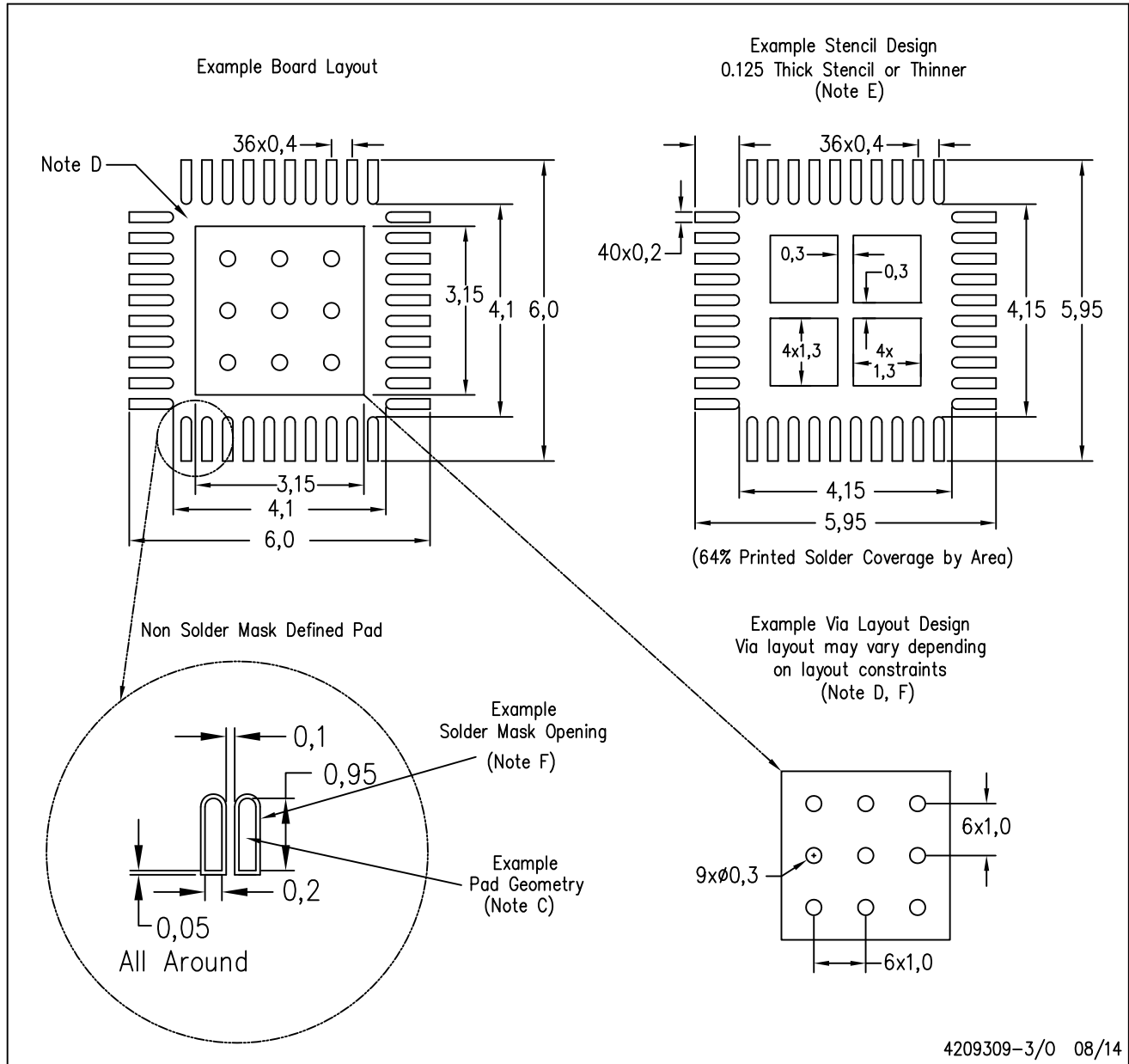
Exposed Thermal Pad Dimensions

4207183-3/Q 08/14

NOTE: All linear dimensions are in millimeters

RSB (S-PWQFN-N40)

PLASTIC QUAD FLATPACK NO-LEAD



4209309-3/0 08/14

- NOTES:
- All linear dimensions are in millimeters.
  - This drawing is subject to change without notice.
  - Publication IPC-7351 is recommended for alternate designs.
  - This package is designed to be soldered to a thermal pad on the board. Refer to Application Note, Quad Flat-Pack Packages, Texas Instruments Literature No. SLUA271, and also the Product Data Sheets for specific thermal information, via requirements, and recommended board layout. These documents are available at [www.ti.com](http://www.ti.com) <<http://www.ti.com>>.
  - Laser cutting apertures with trapezoidal walls and also rounding corners will offer better paste release. Customers should contact their board assembly site for stencil design recommendations. Refer to IPC 7525 for stencil design considerations.
  - Customers should contact their board fabrication site for recommended solder mask tolerances and via tenting recommendations for vias placed in the thermal pad.

## IMPORTANT NOTICE

Texas Instruments Incorporated and its subsidiaries (TI) reserve the right to make corrections, enhancements, improvements and other changes to its semiconductor products and services per JESD46, latest issue, and to discontinue any product or service per JESD48, latest issue. Buyers should obtain the latest relevant information before placing orders and should verify that such information is current and complete. All semiconductor products (also referred to herein as "components") are sold subject to TI's terms and conditions of sale supplied at the time of order acknowledgment.

TI warrants performance of its components to the specifications applicable at the time of sale, in accordance with the warranty in TI's terms and conditions of sale of semiconductor products. Testing and other quality control techniques are used to the extent TI deems necessary to support this warranty. Except where mandated by applicable law, testing of all parameters of each component is not necessarily performed.

TI assumes no liability for applications assistance or the design of Buyers' products. Buyers are responsible for their products and applications using TI components. To minimize the risks associated with Buyers' products and applications, Buyers should provide adequate design and operating safeguards.

TI does not warrant or represent that any license, either express or implied, is granted under any patent right, copyright, mask work right, or other intellectual property right relating to any combination, machine, or process in which TI components or services are used. Information published by TI regarding third-party products or services does not constitute a license to use such products or services or a warranty or endorsement thereof. Use of such information may require a license from a third party under the patents or other intellectual property of the third party, or a license from TI under the patents or other intellectual property of TI.

Reproduction of significant portions of TI information in TI data books or data sheets is permissible only if reproduction is without alteration and is accompanied by all associated warranties, conditions, limitations, and notices. TI is not responsible or liable for such altered documentation. Information of third parties may be subject to additional restrictions.

Resale of TI components or services with statements different from or beyond the parameters stated by TI for that component or service voids all express and any implied warranties for the associated TI component or service and is an unfair and deceptive business practice. TI is not responsible or liable for any such statements.

Buyer acknowledges and agrees that it is solely responsible for compliance with all legal, regulatory and safety-related requirements concerning its products, and any use of TI components in its applications, notwithstanding any applications-related information or support that may be provided by TI. Buyer represents and agrees that it has all the necessary expertise to create and implement safeguards which anticipate dangerous consequences of failures, monitor failures and their consequences, lessen the likelihood of failures that might cause harm and take appropriate remedial actions. Buyer will fully indemnify TI and its representatives against any damages arising out of the use of any TI components in safety-critical applications.

In some cases, TI components may be promoted specifically to facilitate safety-related applications. With such components, TI's goal is to help enable customers to design and create their own end-product solutions that meet applicable functional safety standards and requirements. Nonetheless, such components are subject to these terms.

No TI components are authorized for use in FDA Class III (or similar life-critical medical equipment) unless authorized officers of the parties have executed a special agreement specifically governing such use.

Only those TI components which TI has specifically designated as military grade or "enhanced plastic" are designed and intended for use in military/aerospace applications or environments. Buyer acknowledges and agrees that any military or aerospace use of TI components which have **not** been so designated is solely at the Buyer's risk, and that Buyer is solely responsible for compliance with all legal and regulatory requirements in connection with such use.

TI has specifically designated certain components as meeting ISO/TS16949 requirements, mainly for automotive use. In any case of use of non-designated products, TI will not be responsible for any failure to meet ISO/TS16949.

### Products

Audio	<a href="http://www.ti.com/audio">www.ti.com/audio</a>
Amplifiers	<a href="http://amplifier.ti.com">amplifier.ti.com</a>
Data Converters	<a href="http://dataconverter.ti.com">dataconverter.ti.com</a>
DLP® Products	<a href="http://www.dlp.com">www.dlp.com</a>
DSP	<a href="http://dsp.ti.com">dsp.ti.com</a>
Clocks and Timers	<a href="http://www.ti.com/clocks">www.ti.com/clocks</a>
Interface	<a href="http://interface.ti.com">interface.ti.com</a>
Logic	<a href="http://logic.ti.com">logic.ti.com</a>
Power Mgmt	<a href="http://power.ti.com">power.ti.com</a>
Microcontrollers	<a href="http://microcontroller.ti.com">microcontroller.ti.com</a>
RFID	<a href="http://www.ti-rfid.com">www.ti-rfid.com</a>
OMAP Applications Processors	<a href="http://www.ti.com/omap">www.ti.com/omap</a>
Wireless Connectivity	<a href="http://www.ti.com/wirelessconnectivity">www.ti.com/wirelessconnectivity</a>

### Applications

Automotive and Transportation	<a href="http://www.ti.com/automotive">www.ti.com/automotive</a>
Communications and Telecom	<a href="http://www.ti.com/communications">www.ti.com/communications</a>
Computers and Peripherals	<a href="http://www.ti.com/computers">www.ti.com/computers</a>
Consumer Electronics	<a href="http://www.ti.com/consumer-apps">www.ti.com/consumer-apps</a>
Energy and Lighting	<a href="http://www.ti.com/energy">www.ti.com/energy</a>
Industrial	<a href="http://www.ti.com/industrial">www.ti.com/industrial</a>
Medical	<a href="http://www.ti.com/medical">www.ti.com/medical</a>
Security	<a href="http://www.ti.com/security">www.ti.com/security</a>
Space, Avionics and Defense	<a href="http://www.ti.com/space-avionics-defense">www.ti.com/space-avionics-defense</a>
Video and Imaging	<a href="http://www.ti.com/video">www.ti.com/video</a>

### TI E2E Community

[e2e.ti.com](http://e2e.ti.com)