

THIS DRAWING IS UNPUBLISHED.

RELEASED FOR PUBLICATION OCT ,2005.

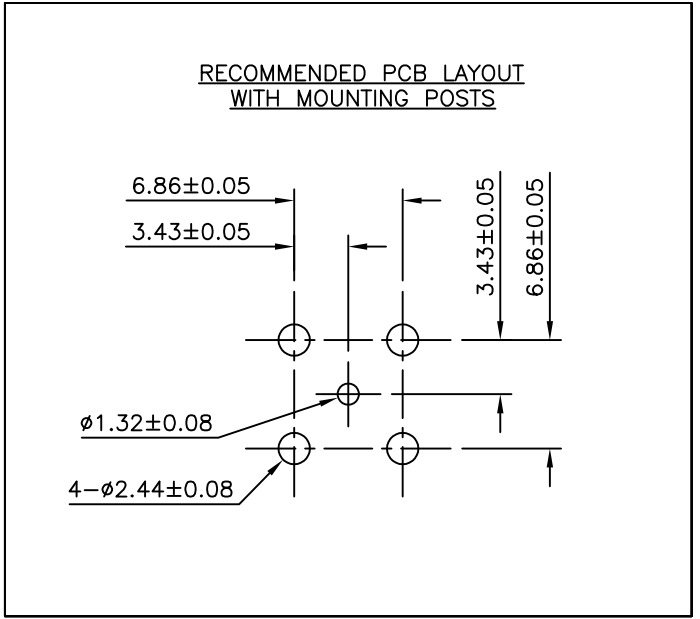
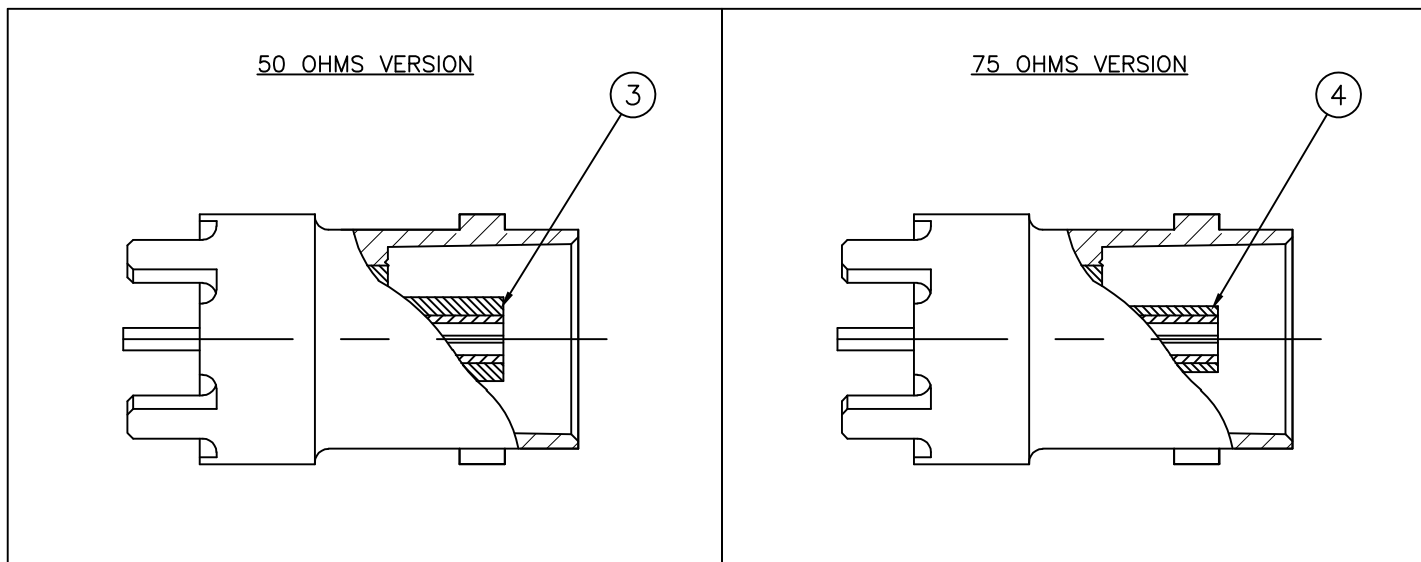
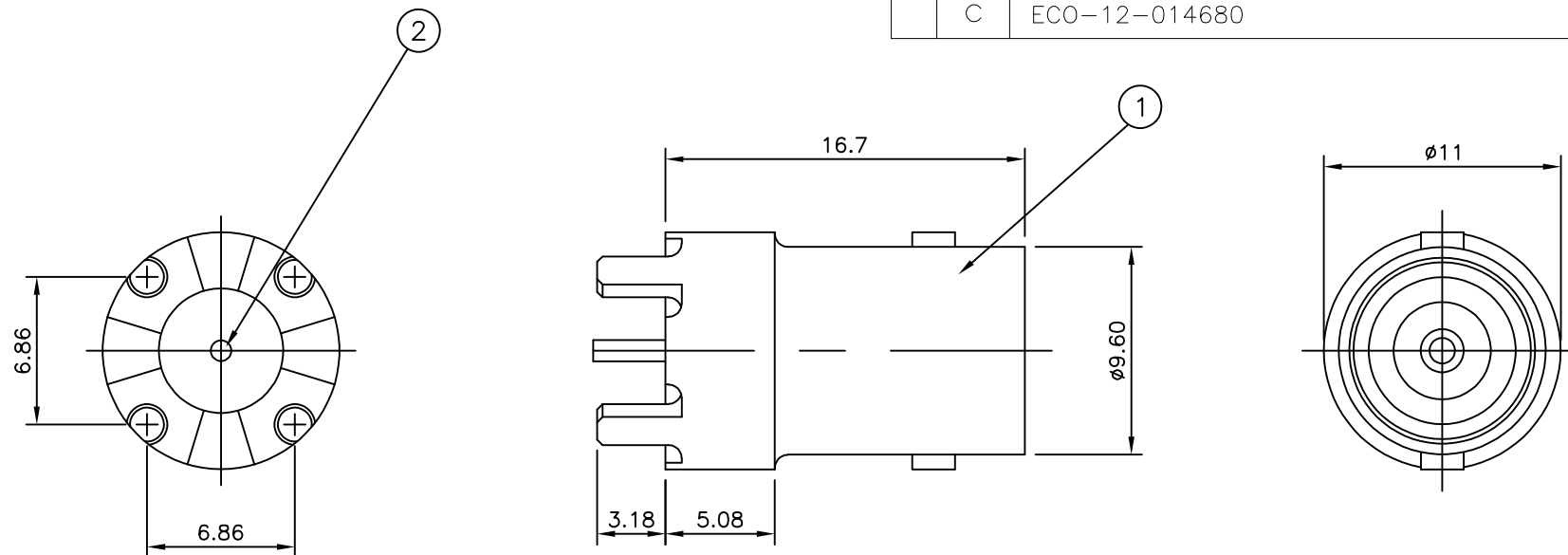
© COPYRIGHT 2005 By -

ALL RIGHTS RESERVED.

LOC	DIST	REVISIONS			
P	LTR	DESCRIPTION	DATE	DWN	APVD
E	B	B1	REVISED PER ECO-11-005033	31MAR11	RK HMR
		C	ECO-12-014680	20Aug2012	TITAN MARTIN

NOTES

- ① 100 TRAY PACK IN ACCORDANCE WITH AMP SPEC 107-3275
- ② SINGLE PACK IN ACCORDANCE WITH AMP SPEC 107-3275
- ③ Au PLATING
- ④ Ni PLATING



		Obsolete		Obsolete					
QTY	DESCRIPTION	QTY	DESCRIPTION	QTY	DESCRIPTION	QTY	DESCRIPTION	QTY	DESCRIPTION
1	TPX	1	TPX	-	INSULATOR	-	INSULATOR	4	INSULATOR
-	TPX	-	TPX	1	PHOS BRONZE	1	ZINC ALLOY	3	INSULATOR
1	CONTACT	1	CONTACT	1	CONTACT	1	CONTACT	2	CONTACT
1	BODY	1	BODY	1	BODY	1	BODY	1	BODY
5--3		5--2		5--1		5--0			
①		②		③		④			

THIS DRAWING IS A CONTROLLED DOCUMENT.

DWN RITA ZUO 11 Mar 09  
 CHK ANSON MA 11 Mar 09  
 APVD BOB ZHAO 11 Mar 09

**STE** TE Connectivity

NAME: BNC STRAIGHT PCB SOCKET

PRODUCT SPEC: 108-112000

APPLICATION SPEC: -

SIZE: A3 CAGE CODE: 00779 DRAWING NO: C-1634506 RESTRICTED TO: -

WEIGHT: -

CUSTOMER DRAWING SCALE: NTS SHEET: 1 OF 1 REV: C

DIMENSIONS:	TOLERANCES UNLESS OTHERWISE SPECIFIED:
mm	
0 PLC	± 0.5
1 PLC	± 0.3
2 PLC	± 0.2
3 PLC	± -
4 PLC	± -
ANGLES	± -
MATERIAL	FINISH
-	-

# Mouser Electronics

Authorized Distributor

Click to View Pricing, Inventory, Delivery & Lifecycle Information:

[TE Connectivity:](#)

[5-1634506-1](#)