

Quad-Channel, 16-Bit, 1.5 GSPS Digital-to-Analog Converter (DAC)

Check for Samples: [DAC34SH84](#)

FEATURES

- **Low Power: 1.8 W at 1.5 GSPS, Full Operating Condition**
- **Multi-DAC Synchronization**
- **Selectable 2x, 4x, 8x, 16x Interpolation Filter**
 - **Stop-Band Attenuation > 90 dBc**
- **Flexible On-Chip Complex Mixing**
 - **Two Independent Fine Mixers With 32-Bit NCOs**
 - **Power-Saving Coarse Mixers: $\pm n \times f_s / 8$**
- **High-Performance, Low-Jitter Clock-Multiplying PLL**
- **Digital I and Q Correction**
 - **Gain, Phase and Offset**
- **Digital Inverse Sinc Filters**
- **32-Bit DDR Flexible LVDS Input Data Bus**
 - **8-Sample Input FIFO**
 - **Supports Data Rates up to 750 MSPS**
 - **Data Pattern Checker**
 - **Parity Check**
- **Temperature Sensor**
- **Differential Scalable Output: 10 mA to 30 mA**
- **196-Ball, 12-mm x 12-mm BGA**

APPLICATIONS

- **Cellular Base Stations**
- **Diversity Transmit**
- **Wideband Communications**

DESCRIPTION

The DAC34SH84 is a very low-power, high-dynamic range, quad-channel, 16-bit digital-to-analog converter (DAC) with a sample rate as high as 1.5 GSPS.

The device includes features that simplify the design of complex transmit architectures: 2x to 16x digital interpolation filters with over 90 dB of stop-band attenuation simplify the data interface and reconstruction filters. Independent complex mixers allow flexible carrier placement. A high-performance low-jitter clock multiplier simplifies clocking of the device without significant impact on the dynamic range. The digital quadrature modulator correction (QMC) enables complete IQ compensation for gain, offset and phase between channels in direct upconversion applications.

Digital data is input to the device through a 32-bit wide LVDS data bus with on-chip termination. The wide bus allows the processing of high-bandwidth signals. The device includes a FIFO, data pattern checker, and parity test to ease the input interface. The interface also allows full synchronization of multiple devices.

The device is characterized for operation over the entire industrial temperature range of -40°C to 85°C and is available in a 196-ball, 12-mm x 12-mm, 0.8-mm pitch BGA package.

The DAC34SH84 low-power, high-bandwidth support, superior crosstalk, high dynamic range, and features are an ideal fit for next-generation communication systems.

ADVANCE INFORMATION


This integrated circuit can be damaged by ESD. Texas Instruments recommends that all integrated circuits be handled with appropriate precautions. Failure to observe proper handling and installation procedures can cause damage.

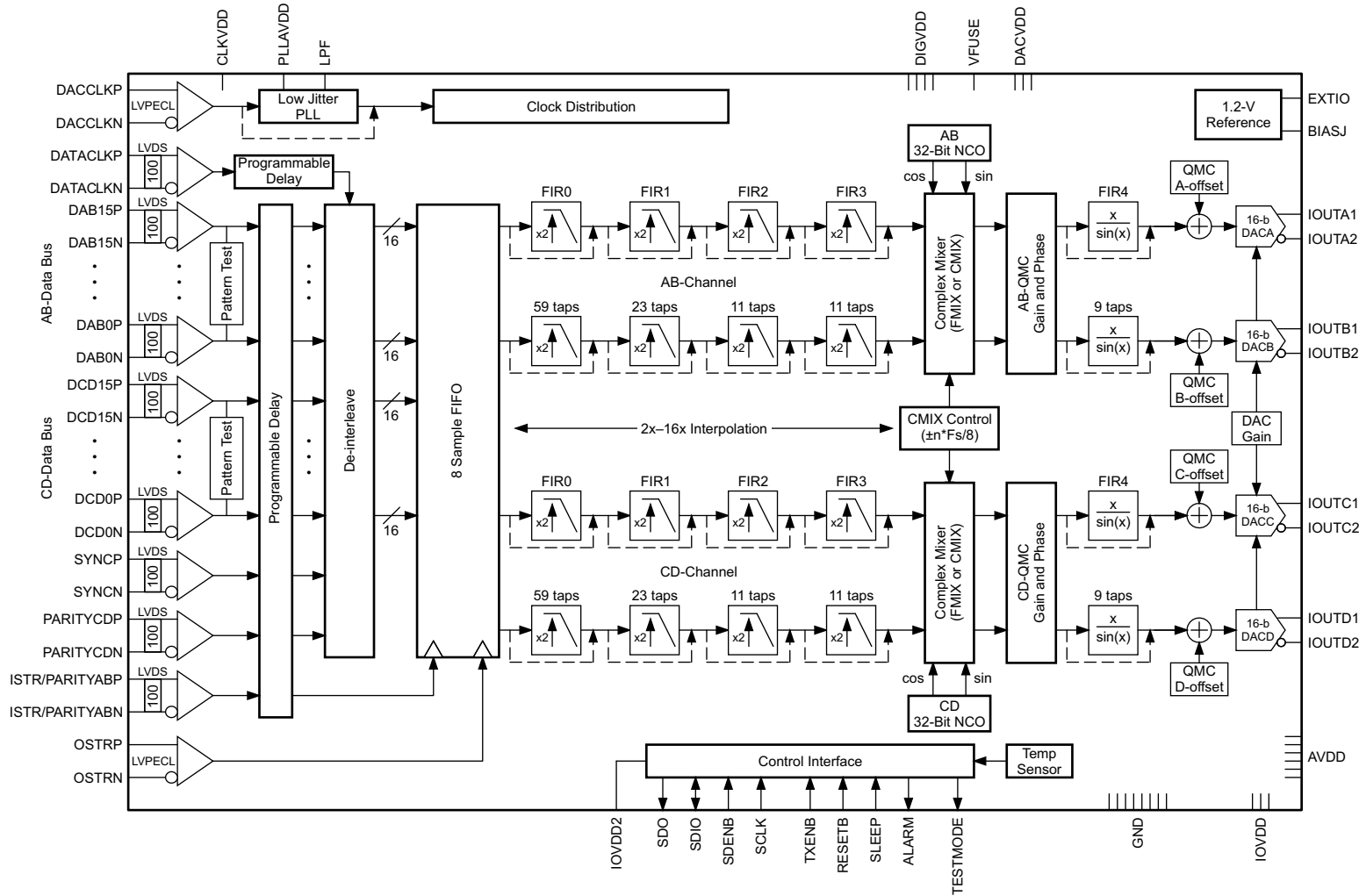
ESD damage can range from subtle performance degradation to complete device failure. Precision integrated circuits may be more susceptible to damage because very small parametric changes could cause the device not to meet its published specifications.



Please be aware that an important notice concerning availability, standard warranty, and use in critical applications of Texas Instruments semiconductor products and disclaimers thereto appears at the end of this data sheet.

FUNCTIONAL BLOCK DIAGRAM

ADVANCE INFORMATION

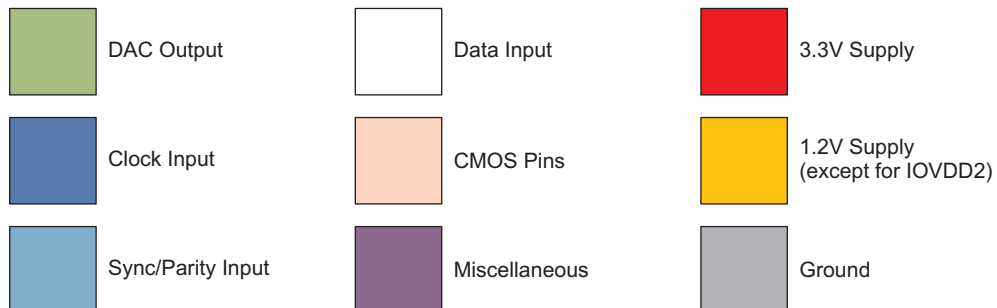


B0460-01

**PINOUT
ZAY Package
(Top View)**

	A	B	C	D	E	F	G	H	J	K	L	M	N	P
14	GND	IOUT AP	IOUT AN	GND	IOUT BN	IOUT BP	GND	GND	IOUT CP	IOUT CN	GND	IOUT DN	IOUT DP	GND
13	GND	GND	GND	GND	GND	GND	GND	GND	GND	GND	GND	GND	GND	GND
12	DAC CLKP	GND	CLK VDD	LPF	GND	GND	EXTIO	BIASJ	GND	CLK VDD	IO VDD2	GND	ALARM	SDO
11	DAC CLKN	GND	PLL AVDD	PLL AVDD	AVDD	AVDD	AVDD	AVDD	AVDD	AVDD	TEST MODE	GND	SLEEP	SDIO
10	GND	GND	GND	AVDD	DAC VDD	DAC VDD	DAC VDD	DAC VDD	DAC VDD	DAC VDD	AVDD	GND	RESET B	SDENB
9	OSTR P	OSTR N	GND	DAC VDD	DAC VDD	GND	GND	GND	GND	DAC VDD	DAC VDD	GND	TXENA	SCLK
8	SYNC P	SYNC N	GND	GND	GND	GND	GND	GND	GND	GND	GND	GND	PARITY CDP	PARITY CDN
7	DAB 15P	DAB 15N	GND	VFUSE	DIG VDD	GND	GND	GND	GND	DIG VDD	VFUSE	GND	DCD 0P	DCD 0N
6	DAB 14P	DAB 14N	GND	IO VDD	DIG VDD	GND	GND	GND	GND	DIG VDD	IO VDD	GND	DCD 1P	DCD 1N
5	DAB 13P	DAB 13N	GND	IO VDD	DIG VDD	DIG VDD	IO VDD	IO VDD	DIG VDD	DIG VDD	IO VDD	GND	DCD 2P	DCD 2N
4	DAB 12P	DAB 12N	DAB 8P	DAB 6P	DAB 4P	DAB 2P	DAB 0P	DCD 15P	DCD 14P	DCD 12P	DCD 10P	DCD 8P	DCD 3P	DCD 3N
3	DAB 11P	DAB 11N	DAB 8N	DAB 6N	DAB 4N	DAB 2N	DAB 0N	DCD 15N	DCD 14N	DCD 12N	DCD 10N	DCD 8N	DCD 4P	DCD 4N
2	DAB 10P	DAB 10N	DAB 7P	DAB 5P	DAB 3P	DAB 1P	DATA CLKP	ISTR/ PARITY ABP	DCD 13P	DCD 11P	DCD 9P	DCD 7P	DCD 5P	DCD 5N
1	DAB 9P	DAB 9N	DAB 7N	DAB 5N	DAB 3N	DAB 1N	DATA CLKN	ISTR/ PARITY ABN	DCD 13N	DCD 11N	DCD 9N	DCD 7N	DCD 6P	DCD 6N

ADVANCE INFORMATION



P0134-01

PIN FUNCTIONS

PIN		I/O	DESCRIPTION
NAME	NO.		
AVDD	D10, E11, F11, G11, H11, J11, K11, L10	I	Analog supply voltage. (3.3 V)
ALARM	N12	O	CMOS output for ALARM condition. The ALARM output functionality is defined through the <i>config7</i> register. Default polarity is active-high, but can be changed to active-low via the <i>config0 alarm_out_pol</i> control bit.
BIASJ	H12	O	Full-scale output current bias. For 30-mA full-scale output current, connect 1.28 k Ω to ground. Change the full-scale output current through <i>coarse_dac(3:0)</i> in <i>config3, bit<15:12></i> .
CLKVDD	C12, K12	I	Internal clock buffer supply voltage. (1.35 V). It is recommended to isolate this supply from DIGVDD and DACVDD.
DAB[15..0]P	A7, A6, A5, A4, A3, A2, A1, C4, C2, D4, D2, E4, E2, F4, F2, G4	I	LVDS positive input data bits 0 through 15 for the AB-channel path. Internal 100- Ω termination resistor. Data format relative to DATACLKP/N clock is double data rate (DDR). DAB15P is the most-significant data bit (MSB). DAB0P is the least-significant data bit (LSB). The order of the bus can be reversed via the <i>config2 revbus</i> bit.
DAB[15..0]N	B7, B6, B5, B4, B3, B2, B1, C3, C1, D3, D1, E3, E1, F3, F1, G3	I	LVDS negative input data bits 0 through 15 for the AB-channel path. (See the preceding DAB[15:0]P description.)
DCD[15..0]P	H4, J4, J2, K4, K2, L4, L2, M4, M2, N1, N2, N3, N4, N5, N6, N7	I	LVDS positive input data bits 0 through 15 for the CD-channel path. Internal 100- Ω termination resistor. Data format relative to DATACLKP/N clock is double data rate (DDR). DCD15P is the most-significant data bit (MSB). DCD0P is the least-significant data bit (LSB). The order of the bus can be reversed via the <i>config2 revbus</i> bit.
DCD[15..0]N	H3, J3, J1, K3, K1, L3, L1, M3, M1, P1, P2, P3, P4, P5, P6, P7	I	LVDS negative input data bits 0 through 15 for the CD-channel path. (See the preceding DCD[15:0]P description.)
DACCLKP	A12	I	Positive external LVPECL clock input for DAC core with a self-bias
DACCLKN	A11	I	Complementary external LVPECL clock input for DAC core. (See the DACCLKP description.)
DACVDD	D9, E9, E10, F10, G10, H10, J10, K10, K9, L9	I	DAC core supply voltage. (1.35 V). It is recommended to isolate this supply from CLKVDD and DIGVDD.
DATACLKP	G2	I	LVDS positive input data clock. Internal 100- Ω termination resistor. Input data DAB[15:0]P/N and DCD[15:0]P/N are latched on both edges of DATACLKP/N (double data rate).
DATACLKN	G1	I	LVDS negative input data clock. (See the DATACLKP description.)
DIGVDD	E5, E6, E7, F5, J5, K5, K6, K7	I	Digital supply voltage. (1.3 V). It is recommended to isolate this supply from CLKVDD and DACVDD.
EXTIO	G12	I/O	Used as an external reference input when the internal reference is disabled through <i>config27 extref_ena</i> = 1. Used as an internal reference output when <i>config27 extref_ena</i> = 0 (default). Requires a 0.1- μ F decoupling capacitor to AGND when used as a reference output.
ISTRP/ PARITYABP	H2	I	LVDS input strobe positive input. Internal 100- Ω termination resistor The main functions of this input are to sync the FIFO pointer, to provide a sync source to the digital blocks, and/or to act as a parity input for the AB-data bus. These functions are captured with the rising edge of DATACLKP/N. This signal should be edge-aligned with DAB[15:0]P/N and DCD[15:0]P/N. The PARITY, SYNC, and ISTR inputs are rotated to allow complete reversal of the data interface when setting the <i>rev_interface</i> bit in register <i>config1</i> .
ISTRN/ PARITYABN	H1	I	LVDS input strobe negative input. (See the ISTRP/PARITYABP description.)

PIN FUNCTIONS (continued)

PIN		I/O	DESCRIPTION
NAME	NO.		
GND	A10, A13, A14, B10, B11, B12, B13, C5, C6, C7, C8, C9, C10, C13, D8, D13, D14, E8, E12, E13, F6, F7, F8, F9, F12, F13, G6, G7, G8, G9, G13, G14, H6, H7, H8, H9, H13, H14, J6, J7, J8, J9, J12, J13, K8, K13, L8, L13, L14, M5, M6, M7, M8, M9, M10, M11, M12, M13, N13, P13, P14	I	These pins are ground for all supplies.
IOUTAP	B14	O	A-channel DAC current output. Connect directly to ground if unused.
IOUTAN	C14	O	A-channel DAC complementary current output. Connect directly to ground if unused.
IOUTBP	F14	O	B-channel DAC current output. Connect directly to ground if unused.
IOUTBN	E14	O	B-channel DAC complementary current output. Connect directly to ground if unused.
IOUTCP	J14	O	C-channel DAC current output. Connect directly to ground if unused.
IOUTCN	K14	O	C-channel DAC complementary current output. Connect directly to ground if unused.
IOUTDP	N14	O	D-channel DAC current output. Connect directly to ground if unused.
IOUTDN	M14	O	D-channel DAC complementary current output. Connect directly to ground if unused.
IOVDD	D5, D6, G5, H5, L5, L6	I	Supply voltage for all LVDS I/O. (3.3 V)
IOVDD2	L12	I	Supply voltage for all CMOS I/O. (1.8 V to 3.3 V) This supply can range from 1.8 V to 3.3 V to change the input and output levels of the CMOS I/O.
LPF	D12	I/O	PLL loop filter connection. If not using the clock-multiplying PLL, the LPF pin can be left unconnected.
OSTRP	A9	I	Optional LVPECL output strobe positive input. This positive-negative pair is captured with the rising edge of DACCLKP/N. It is used to sync the divided-down clocks and FIFO output pointer in dual-sync-sources mode. If unused it can be left unconnected.
OSTRN	B9	I	Optional LVPECL output strobe negative input. (See the OSTRP description.)
PARITYCDP	N8	I	Optional LVDS positive input parity bit for the CD-data bus. The PARITYCDP/N LVDS pair has an internal 100-Ω termination resistor. If unused, it can be left unconnected. The PARITY, SYNC, and ISTR inputs are rotated to allow complete reversal of the data interface when setting the <i>rev_interface</i> bit in register <i>config1</i> .
PARITYCDN	P8	I	Optional LVDS negative input parity bit for the CD-data bus.
PLLAVDD	C11, D11	I	PLL analog supply voltage (3.3 V)
SCLK	P9	I	Serial interface clock. Internal pulldown
SDENB	P10	I	Active-low serial data enable, always an input to the DAC34SH84. Internal pullup
SDIO	P11	I/O	Serial interface data. Bidirectional in 3-pin mode (default) and unidirectional 4-pin mode. Internal pulldown
SDO	P12	O	Unidirectional serial interface data in 4-pin mode. The SDO pin is in the high-impedance state in 3-pin interface mode (default).
SLEEP	N11	I	Active-high asynchronous hardware power-down input. Internal pulldown

PIN FUNCTIONS (continued)

PIN		I/O	DESCRIPTION
NAME	NO.		
SYNCP	A8	I	LVDS SYNC positive input. Internal 100-Ω termination resistor. If unused it can be left unconnected. The PARITY, SYNC, and ISTR inputs are rotated to allow complete reversal of the data interface when setting the <i>rev_interface</i> bit in register <i>config1</i> .
SYNCPN	B8	I	LVDS SYNC negative input
RESETB	N10	I	Active-low input for chip RESET. Internal pullup
TXENA	N9	I	Transmit enable active-high input. Internal pulldown To enable analog output data transmission, set <i>sif_txenable</i> in register <i>config3</i> to 1 or pull the CMOS TXENA pin to high. To disable analog output, set <i>sif_txenable</i> to 0 and pull the CMOS TXENA pin to low. The DAC output is forced to midscale.
TESTMODE	L11	I	This pin is used for factory testing. Internal pulldown. Leave unconnected for normal operation
VFUSE	D7, L7	I	Digital supply voltage. This supply pin is also used for factory fuse programming. Connect to DACVDD or DIGVDD for normal operation

ORDERING INFORMATION⁽¹⁾

T _A	ORDER CODE	PACKAGE DRAWING/TYPE	TRANSPORT MEDIA	QUANTITY
-40°C to 85°C	DAC34SH84IZAY	ZAY / 196 NFBGA	Tray	160
	DAC34SH84IZAYR		Tape and reel	1000

(1) For the most current package and ordering information, see the Package Option Addendum at the end of this document, or visit the device product folder at www.ti.com.

ABSOLUTE MAXIMUM RATINGS

over operating free-air temperature range (unless otherwise noted)⁽¹⁾

		VALUE		UNIT
		MIN	MAX	
Supply voltage range ⁽²⁾	DACVDD, DIGVDD, CLKVDD	-0.5	1.5	V
	VFUSE	-0.5	1.5	V
	IOVDD, IOVDD2	-0.5	4	V
	AVDD, PLLAVDD	-0.5	4	V
Pin voltage range ⁽²⁾	DAB[15..0]P/N, DCD[15..0]P/N, DATACLKP/N, ISTRP/N, PARITYCDP/N, SYNCP/N	-0.5	IOVDD + 0.5	V
	DACCLKP/N, OSTRP/N	-0.5	CLKVDD + 0.5	V
	ALARM, SDO, SDIO, SCLK, SDENB, SLEEP, RESETB, TESTMODE, TXENA	-0.5	IOVDD2 + 0.5	V
	IOUTAP/N, IOUTBP/N, IOUTCP/N, IOUTDP/N	-1.0	AVDD + 0.5	V
	EXTIO, BIASJ	-0.5	AVDD + 0.5	V
	LPF	-0.5	PLLAVDD + 0.5	V
Peak input current (any input)			20	mA
Peak total input current (all inputs)			-30	mA
Absolute maximum junction temperature, T _J			150	°C
Storage temperature range, T _{stg}		-65	150	°C

(1) Stresses beyond those listed under *Absolute Maximum Ratings* may cause permanent damage to the device. These are stress ratings only, and functional operation of these or any other conditions beyond those indicated under *Recommended Operating Conditions* is not implied. Exposure to absolute-maximum-rated conditions for extended periods may affect device reliability.

(2) Measured with respect to GND

THERMAL INFORMATION

THERMAL METRIC ⁽¹⁾		DAC34SH84	
		BGA	UNIT
		(196 ball) PINS	
θ_{JA}	Junction-to-ambient thermal resistance ⁽²⁾	37.6	°C/W
θ_{JcTop}	Junction-to-case (top) thermal resistance ⁽³⁾	6.8	°C/W
θ_{JcBot}	Junction-to-case (bottom) thermal resistance ⁽⁴⁾	N/A	°C/W
θ_{JB}	Junction-to-board thermal resistance ⁽⁵⁾	16.8	°C/W
ψ_{JT}	Junction-to-top characterization parameter ⁽⁶⁾	0.2	°C/W
ψ_{JB}	Junction-to-board characterization parameter ⁽⁷⁾	16.4	°C/W

- (1) For more information about traditional and new thermal metrics, see the *IC Package Thermal Metrics* application report, [SPRA953](#).
- (2) The junction-to-ambient thermal resistance under natural convection is obtained in a simulation on a JEDEC-standard, high-K board, as specified in JESD51-7, in an environment described in JESD51-2a.
- (3) The junction-to-case (top) thermal resistance is obtained by simulating a cold plate test on the package top. No specific JEDEC-standard test exists, but a close description can be found in the ANSI SEMI standard G30-88.
- (4) The junction-to-case (bottom) thermal resistance is obtained by simulating a cold plate test on the exposed (power) pad. No specific JEDEC standard test exists, but a close description can be found in the ANSI SEMI standard G30-88.
- (5) The junction-to-board thermal resistance is obtained by simulating in an environment with a ring cold plate fixture to control the PCB temperature, as described in JESD51-8.
- (6) The junction-to-top characterization parameter, ψ_{JT} , estimates the junction temperature of a device in a real system and is extracted from the simulation data for obtaining θ_{JA} , using a procedure described in JESD51-2a (sections 6 and 7).
- (7) The junction-to-board characterization parameter, ψ_{JB} , estimates the junction temperature of a device in a real system and is extracted from the simulation data for obtaining θ_{JA} , using a procedure described in JESD51-2a (sections 6 and 7).

RECOMMENDED OPERATING CONDITIONS

		MIN	NOM	MAX	UNIT
T_J	Recommended operating junction temperature			105	°C
	Maximum rated operating junction temperature ⁽¹⁾	125			
T_A	Recommended free-air temperature	-40	25	85	°C

- (1) Prolonged use at this junction temperature may increase the device failure-in-time (FIT) rate.

ELECTRICAL CHARACTERISTICS – DC SPECIFICATIONS⁽¹⁾over recommended operating free-air temperature range, nominal supplies, $I_{OUT_{FS}} = 20 \text{ mA}$ (unless otherwise noted)

PARAMETER		TEST CONDITIONS	MIN	TYP	MAX	UNIT	
Resolution			16			Bits	
DC ACCURACY							
DNL	Differential nonlinearity	1 LSB = $I_{OUT_{FS}} / 2^{16}$				±2	LSB
INL	Integral nonlinearity					±4	LSB
ANALOG OUTPUT							
Coarse gain linearity						±0.04	LSB
Offset error		Mid-code offset				±0.001	%FSR
Gain error		With external reference				±2	%FSR
		With internal reference				±2	%FSR
Gain mismatch		With internal reference				±2	%FSR
Full-scale output current			10	20	30	mA	
Output compliance range			-0.5			0.6	V
Output resistance						300	kΩ
Output capacitance						5	pF
REFERENCE OUTPUT							
V_{REF}	Reference output voltage					1.2	V
	Reference output current ⁽²⁾					100	nA
REFERENCE INPUT							
V_{EXTIO}	Input voltage range	External reference mode	0.6	1.2	1.25	V	
	Input resistance					1	MΩ
	Small-signal bandwidth					472	kHz
	Input capacitance					100	pF
TEMPERATURE COEFFICIENTS							
Offset drift						±1	ppm / °C
Gain drift		With external reference				±15	ppm / °C
		With internal reference				±30	ppm / °C
Reference voltage drift						±8	ppm / °C
POWER SUPPLY⁽³⁾							
AVDD, IOVDD, PLLAVDD			3.14	3.3	3.46	V	
DIGVDD			1.25	1.3	1.35	V	
CLKVDD, DACVDD			1.3	1.35	1.4	V	
IOVDD2			1.71	3.3	3.45	V	
PSRR	Power-supply rejection ratio	DC tested				±0.25	%FSR / V
POWER CONSUMPTION							
$I_{(AVDD)}$	Analog supply current ⁽⁴⁾	Mode 1 $f_{DAC} = 1.5 \text{ GSPS}$, 2x interpolation, mixer on, QMC on, invsinc on, PLL enabled, 20-mA FS output, IF = 200 MHz			135	165	mA
$I_{(DIGVDD)}$	Digital supply current				885	950	mA
$I_{(DACVDD)}$	DAC supply current				45	60	mA
$I_{(CLKVDD)}$	Clock supply current				127	145	mA
P	Power dissipation				1828	2056	mW

(1) Measured differentially across IOUTP/N with 25 Ω each to GND.

(2) Use an external buffer amplifier with high-impedance input to drive any external load.

(3) To ensure power supply accuracy and to account for power supply filter network loss at operating conditions, the use of the ATEST function in register *config27* to check the internal power supply nodes is recommended.

(4) Includes AVDD, PLLAVDD, and IOVDD

ELECTRICAL CHARACTERISTICS – DC SPECIFICATIONS (continued)

 over recommended operating free-air temperature range, nominal supplies, $I_{OUT_{FS}} = 20 \text{ mA}$ (unless otherwise noted)

PARAMETER		TEST CONDITIONS	MIN	TYP	MAX	UNIT
$I_{(AVDD)}$	Analog supply current ⁽⁴⁾	Mode 2 $f_{DAC} = 1.47456 \text{ GSPS}$, 2x interpolation, mixer on, QMC on, invsinc on, PLL disabled, 20-mA FS output, IF = 7.3 MHz		115		mA
$I_{(DIGVDD)}$	Digital supply current			770		mA
$I_{(DACVDD)}$	DAC supply current			40		mA
$I_{(CLKVDD)}$	Clock supply current			95		mA
P	Power dissipation			1562		mW
$I_{(AVDD)}$	Analog supply current ⁽⁴⁾	Mode 3 $f_{DAC} = 737.28 \text{ MSPS}$, 2x interpolation, mixer on, QMC on, invsinc off, PLL disabled, 20-mA FS output, IF = 7.3 MHz		115		mA
$I_{(DIGVDD)}$	Digital supply current			470		mA
$I_{(DACVDD)}$	DAC supply current			21		mA
$I_{(CLKVDD)}$	Clock supply current			55		mA
P	Power dissipation			1093		mW
$I_{(AVDD)}$	Analog supply current ⁽⁴⁾	Mode 4 $f_{DAC} = 1.47456 \text{ GSPS}$, 2x interpolation, mixer on, QMC on, invsinc on, PLL enabled, IF = 7.3 MHz, channels A/B/C/D output sleep		40		mA
$I_{(DIGVDD)}$	Digital supply current			710		mA
$I_{(DACVDD)}$	DAC supply current			50		mA
$I_{(CLKVDD)}$	Clock supply current			90		mA
P	Power dissipation			1160		mW
$I_{(AVDD)}$	Analog supply current ⁽⁴⁾	Mode 5 Power-down mode: no clock, DAC on sleep mode (clock receiver sleep), channels A/B/C/D output sleep, static data pattern		28		mA
$I_{(DIGVDD)}$	Digital supply current			17		mA
$I_{(DACVDD)}$	DAC supply current			0		mA
$I_{(CLKVDD)}$	Clock supply current			20		mA
P	Power dissipation			142		mW
$I_{(AVDD)}$	Analog supply current ⁽⁵⁾	Mode 6 $f_{DAC} = 1 \text{ GSPS}$, 2x interpolation, mixer off, QMC off, invsinc off, PLL enabled, 20-mA FS output, IF = 7.3 MHz		130		mA
$I_{(DIGVDD)}$	Digital supply current			570		mA
$I_{(DACVDD)}$	DAC supply current			25		mA
$I_{(CLKVDD)}$	Clock supply current			98		mA
P	Power dissipation			1336		mW
$I_{(AVDD)}$	Analog supply current ⁽⁴⁾	Mode 7 $f_{DAC} = 1 \text{ GSPS}$, 2x interpolation, mixer off, QMC off, invsinc off, PLL disabled, 20-mA FS output, IF = 7.3 MHz		115		mA
$I_{(DIGVDD)}$	Digital supply current			335		mA
$I_{(DACVDD)}$	DAC supply current			23		mA
$I_{(CLKVDD)}$	Clock supply current			70		mA
P	Power dissipation			940		mW
$I_{(AVDD)}$	Analog supply current	Mode 8 $f_{DAC} = 1.47456 \text{ GSPS}$, 2x interpolation, mixer on, QMC on, invsinc on, PLL disabled, IF = 7.3 MHz, channels A/B/C/D output sleep		45		mA
$I_{(DIGVDD)}$	Digital supply current			655		mA
$I_{(DACVDD)}$	DAC supply current			30		mA
$I_{(CLKVDD)}$	Clock supply current			95		mA
P	Power dissipation			1169		mW

(5) Includes AVDD, PLLAVDD, and IOVDD

ADVANCE INFORMATION

ELECTRICAL CHARACTERISTICS – DIGITAL SPECIFICATIONS

over operating free-air temperature range (unless otherwise noted)

PARAMETER		TEST CONDITIONS	MIN	TYP	MAX	UNIT
LVDS INPUTS: DAB[15:0]P/N, DCD[15:0]P/N, DATACLKP/N, ISTRP/N, SYNCP/N, PARITYCDP/N⁽¹⁾						
V _{A,B+}	Logic-high differential input voltage threshold		200			mV
V _{A,B-}	Logic-low differential input voltage threshold				-200	mV
V _{COM}	Input common mode		1	1.2	1.6	V
Z _T	Internal termination		85	110	135	Ω
C _L	LVDS input capacitance			2		pF
f _{INTERL}	Interleaved LVDS data transfer rate				1500	MSPS
f _{DATA}	Input data rate				750	MSPS
CLOCK INPUT (DACCLKP/N)						
	Duty cycle		40%		60%	
	Differential voltage ⁽²⁾	DACCLKP - DACCLKN	0.4	1		V
	Internally biased common-mode voltage			0.2		V
	Single-ended swing level		-0.4			V
	DACCLKP/N input frequency				1500	MHz
OUTPUT STROBE (OSTRP/N)						
f _{OSTR}	Frequency	f _{OSTR} = f _{DACCLK} / (n × 8 × interp) where n is any positive integer, f _{DACCLK} is DACCLK frequency in MHz			f _{DACCLK} / (8 × interp)	MHz
	Duty cycle			50%		
	Differential voltage	OSTRP - OSTRN	0.4	1.0		V
	Internally biased common-mode voltage			0.2		V
	Single-ended swing level		-0.4			V
CMOS INTERFACE: ALARM, SDO, SDIO, SCLK, SDENB, SLEEP, RESETB, TXENA						
V _{IH}	High-level input voltage		0.7 × IOVDD2			V
V _{IL}	Low-level input voltage			0.3 × IOVDD2		V
I _{IH}	High-level input current		-40		40	μA
I _{IL}	Low-level input current		-40		40	μA
C _I	CMOS input capacitance			2		pF
V _{OH}	ALARM, SDO, SDIO	I _{load} = -100 μA	IOVDD2 - 0.2			V
		I _{load} = -2 mA	0.8 × IOVDD2			V
V _{OL}	ALARM, SDO, SDIO	I _{load} = 100 μA			0.2	V
		I _{load} = 2 mA			0.5	V

(1) See LVDS INPUTS section for terminology.

(2) Driving the clock input with a differential voltage lower than 1 V may result in degraded performance.

ELECTRICAL CHARACTERISTICS – DIGITAL SPECIFICATIONS (continued)

over operating free-air temperature range (unless otherwise noted)

PARAMETER	TEST CONDITIONS	MIN	TYP	MAX	UNIT	
DIGITAL INPUT TIMING SPECIFICATIONS						
Timing LVDS inputs: DAB[15:0]P/N, DCD[15:0]P/N, ISTRP/N, SYNCN/N, PARITYCDP/N, <i>double edge</i> latching						
$t_{s(DATA)}$	Setup time, DAB[15:0]P/N, DCD[15:0]P/N, ISTRP/N, SYNCN/N, and PARITYCDP/N, valid to either edge of DATACLKP/N	ISTRP/N and SYNCN/N reset latched only on rising edge of DATACLKP/N	Config36 Setting		ps	
			datadly	clkdly		
			0	0		30
			0	1		-10
			0	2		-50
			0	3		-90
			0	4		-130
			0	5		-170
			0	6		-210
			0	7		-250
			1	0		50
			2	0		90
			3	0		130
			4	0		170
			5	0		210
			6	0		250
7	0	290				
$t_{h(DATA)}$	Hold time, DAB[15:0]P/N, DCD[15:0]P/N, ISTRP/N, SYNCN/N and PARITYCDP/N valid after either edge of DATACLKP/N	ISTRP/N and SYNCN/N reset latched only on rising edge of DATACLKP/N	Config36 Setting		ps	
			datadly	clkdly		
			0	0		200
			0	1		240
			0	2		280
			0	3		320
			0	4		360
			0	5		400
			0	6		440
			0	7		480
			1	0		190
			2	0		150
			3	0		110
			4	0		70
			5	0		30
			6	0		-10
7	0	-50				
$t_{(ISTR_SYNC)}$	ISTRP/N and SYNCN/N pulse duration	$f_{DATACLK}$ is DATACLK frequency in MHz		$\frac{1}{2f_{DATACLK}}$	ns	

ADVANCE INFORMATION

ELECTRICAL CHARACTERISTICS – DIGITAL SPECIFICATIONS (continued)

over operating free-air temperature range (unless otherwise noted)

PARAMETER		TEST CONDITIONS	MIN	TYP	MAX	UNIT
TIMING OUTPUT STROBE INPUT: DACCLKP/N rising edge LATCHING⁽³⁾						
$t_{s(OSTR)}$	Setup time, OSTRP/N valid to rising edge of DACCLKP/N			-80		ps
$t_{h(OSTR)}$	Hold time, OSTRP/N valid after rising edge of DACCLKP/N			220		ps
TIMING SYNC INPUT: DACCLKP/N rising edge LATCHING⁽⁴⁾						
$t_{s(SYNC_PLL)}$	Setup time, SYNC P/N valid to rising edge of DACCLKP/N			150		ps
$t_{h(SYNC_PLL)}$	Hold time, SYNC P/N valid after rising edge of DACCLKP/N			250		ps
TIMING SERIAL PORT						
$t_{s(SDENB)}$	Setup time, SDENB to rising edge of SCLK		20			ns
$t_{s(SDIO)}$	Setup time, SDIO valid to rising edge of SCLK		10			ns
$t_{h(SDIO)}$	Hold time, SDIO valid to rising edge of SCLK		5			ns
$t_{(SCLK)}$	Period of SCLK	Register <i>config6</i> read (temperature sensor read)	1			μ s
		All other registers	100			ns
$t_{d(Data)}$	Data output delay after falling edge of SCLK			10		ns
t_{RESET}	Minimum RESETB pulsewidth			25		ns

- (3) OSTR is required in dual-sync-sources mode. In order to minimize the skew, it is recommended to use the same clock distribution device such as Texas Instruments CDCE62005 to provide the DACCLK and OSTR signals to all the DAC34SH84 devices in the system. Swap the polarity of the DACCLK outputs with respect to the OSTR ones to establish proper phase relationship.
- (4) SYNC is required to synchronize the PLL circuit in multiple devices. The SYNC signal must meet the timing relationship with respect to the reference clock (DACCLKP/N) of the on-chip PLL circuit.

ELECTRICAL CHARACTERISTICS – AC SPECIFICATIONS

 over recommended operating free-air temperature range, nominal supplies, $I_{OUT_{FS}} = 20\text{ mA}$ (unless otherwise noted)

PARAMETER		TEST CONDITIONS / COMMENTS	MIN	TYP	MAX	UNIT
ANALOG OUTPUT⁽¹⁾						
f_{DAC}	Maximum DAC rate		1500			MSPS
$t_{s(DAC)}$	Output settling time to 0.1%	Transition: code 0x0000 to 0xFFFF		10		ns
t_{pd}	Output propagation delay	DAC outputs are updated on the falling edge of the DAC clock. Does not include digital latency (see following).		2		ns
$t_{r(IOUT)}$	Output rise time 10% to 90%			220		ps
$t_{f(IOUT)}$	Output fall time 90% to 10%			220		ps
Digital latency		No interpolation, FIFO on, mixer off, QMC off, inverse sinc off		128		DAC clock cycles
		2x interpolation		216		
		4x interpolation		376		
		8x interpolation		726		
		16x interpolation		1427		
		Fine mixer		24		
		QMC		16		
Power-up time		DAC wake-up time	IOUT current settling to 1% of $I_{OUT_{FS}}$ from output sleep		2	μs
		DAC sleep time	IOUT current settling to less than 1% of $I_{OUT_{FS}}$ in output sleep		2	
AC PERFORMANCE⁽²⁾						
SFDR	Spurious-free dynamic range, (0 to $f_{DAC} / 2$) tone at 0 dBFS	$f_{DAC} = 1.5\text{ GSPS}$, $f_{OUT} = 20\text{ MHz}$		78		dBc
		$f_{DAC} = 1.5\text{ GSPS}$, $f_{OUT} = 50\text{ MHz}$		74		
		$f_{DAC} = 1.5\text{ GSPS}$, $f_{OUT} = 70\text{ MHz}$		71		
IMD3	Third-order two-tone intermodulation distortion, each tone at -12 dBFS	$f_{DAC} = 1.5\text{ GSPS}$, $f_{OUT} = 30 \pm 0.5\text{ MHz}$		87		dBc
		$f_{DAC} = 1.5\text{ GSPS}$, $f_{OUT} = 50 \pm 0.5\text{ MHz}$		85		
		$f_{DAC} = 1.5\text{ GSPS}$, $f_{OUT} = 100 \pm 0.5\text{ MHz}$		78		
NSD	Noise spectral density, ⁽³⁾ tone at 0 dBFS	$f_{DAC} = 1.5\text{ GSPS}$, $f_{OUT} = 10\text{ MHz}$		160		dBc / Hz
		$f_{DAC} = 1.5\text{ GSPS}$, $f_{OUT} = 80\text{ MHz}$		158		
ACLR ⁽³⁾	Adjacent-channel leakage ratio, single carrier	$f_{DAC} = 1.47456\text{ GSPS}$, $f_{OUT} = 30\text{ MHz}$		76		dBc
		$f_{DAC} = 1.47456\text{ GSPS}$, $f_{OUT} = 153\text{ MHz}$		75		
	Alternate-channel leakage ratio, single carrier	$f_{DAC} = 1.47456\text{ GSPS}$, $f_{OUT} = 30\text{ MHz}$		86		
		$f_{DAC} = 1.47456\text{ GSPS}$, $f_{OUT} = 153\text{ MHz}$		82		
Channel isolation		$f_{DAC} = 1.5\text{ GSPS}$, $f_{OUT} = 40\text{ MHz}$		101		dBc

 (1) Measured single-ended into 50- Ω load.

 (2) 4:1 transformer output termination, 50- Ω doubly terminated load

(3) Single carrier, W-CDMA with 3.84-MHz BW, 5-MHz spacing, centered at IF, PAR = 12 dB. TESTMODEL 1, 10 ms

TYPICAL CHARACTERISTICS

All plots are at 25°C, nominal supply voltage, $f_{DAC} = 1500$ MSPS, 2x interpolation, NCO enabled, mixer gain disabled, QMC enabled with gain set at 1446 for both I/Q channels, 0-dBFS digital input, 20-mA full-scale output current with 4:1 transformer (unless otherwise noted)

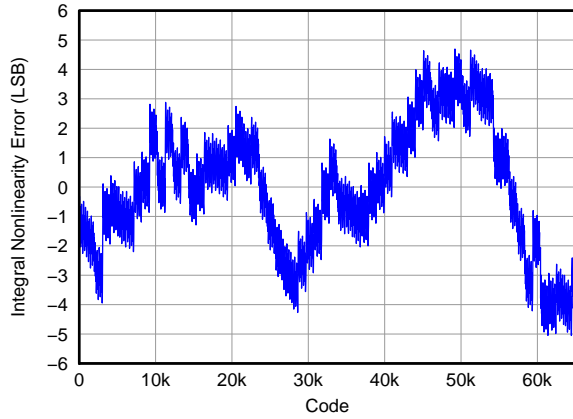


Figure 1. Integral Nonlinearity

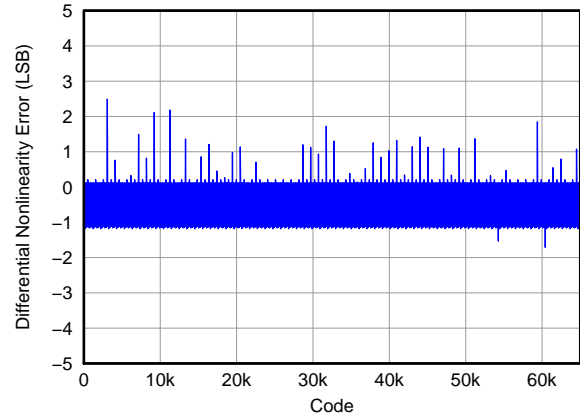


Figure 2. Differential Nonlinearity

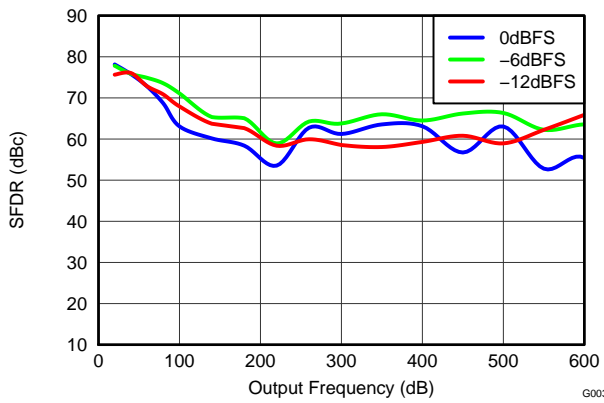


Figure 3. SFDR vs Output Frequency Over Input Scale

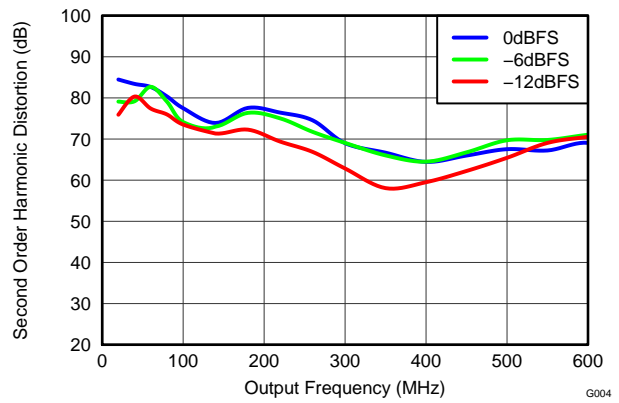


Figure 4. Second-Harmonic Distortion vs Output Frequency Over Input Scale

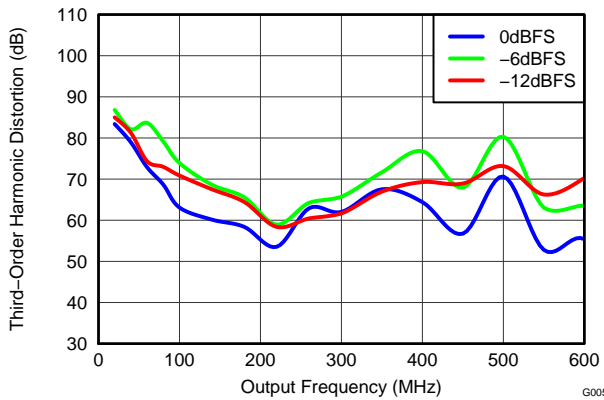


Figure 5. Third Harmonic Distortion vs Output Frequency Over Input Scale

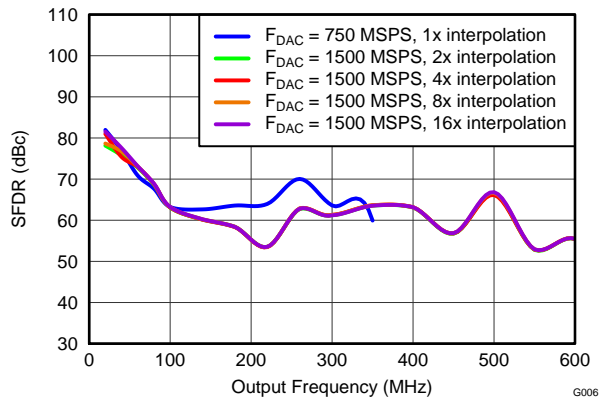


Figure 6. SFDR vs Output Frequency Over Interpolation

ADVANCE INFORMATION

TYPICAL CHARACTERISTICS (continued)

All plots are at 25°C, nominal supply voltage, $f_{DAC} = 1500$ MSPS, 2x interpolation, NCO enabled, mixer gain disabled, QMC enabled with gain set at 1446 for both I/Q channels, 0-dBFS digital input, 20-mA full-scale output current with 4:1 transformer (unless otherwise noted)

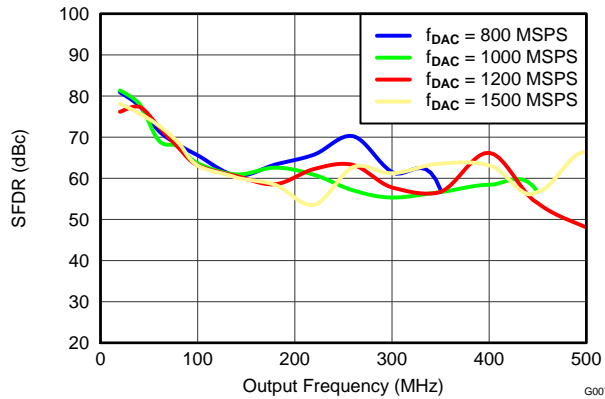


Figure 7. SFDR vs Output Frequency Over f_{DAC}

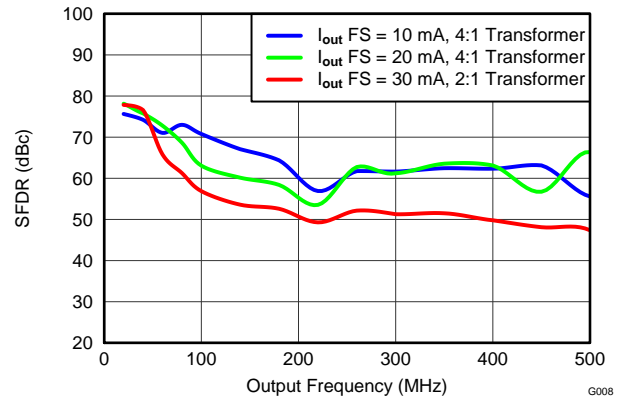


Figure 8. SFDR vs Output Frequency Over I_{OUTFS}

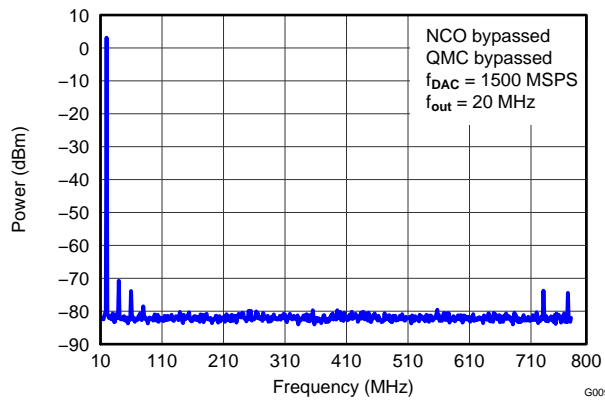


Figure 9. Single-Tone Spectral Plot

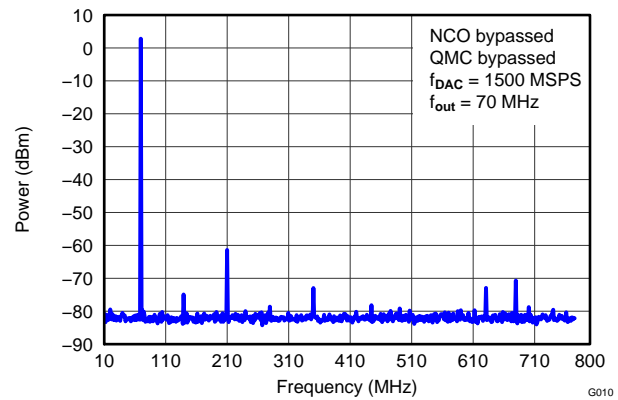


Figure 10. Single-Tone Spectral Plot

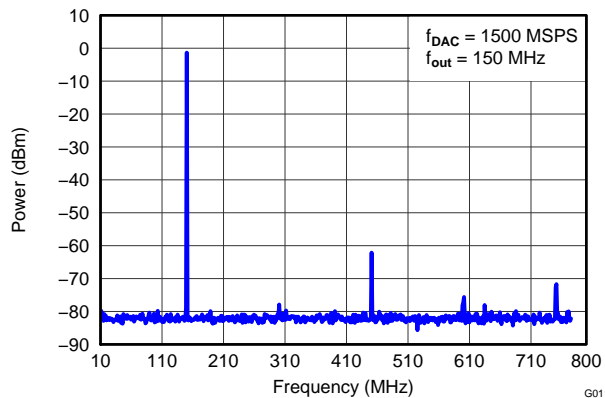


Figure 11. Single-Tone Spectral Plot

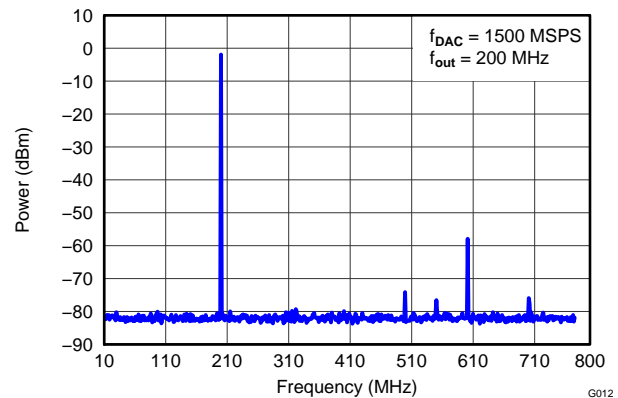


Figure 12. Single-Tone Spectral Plot

ADVANCE INFORMATION

TYPICAL CHARACTERISTICS (continued)

All plots are at 25°C, nominal supply voltage, $f_{DAC} = 1500$ MSPS, 2x interpolation, NCO enabled, mixer gain disabled, QMC enabled with gain set at 1446 for both I/Q channels, 0-dBFS digital input, 20-mA full-scale output current with 4:1 transformer (unless otherwise noted)

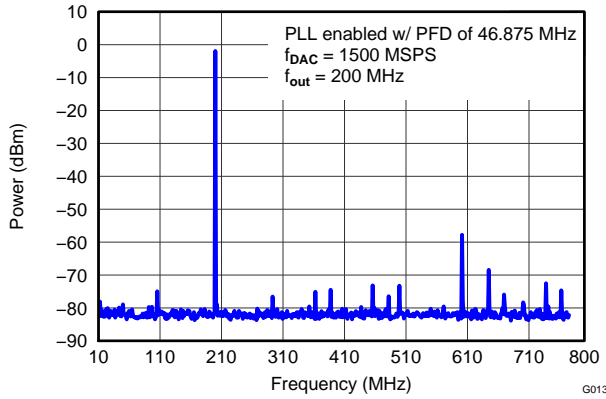


Figure 13. Single-Tone Spectral Plot

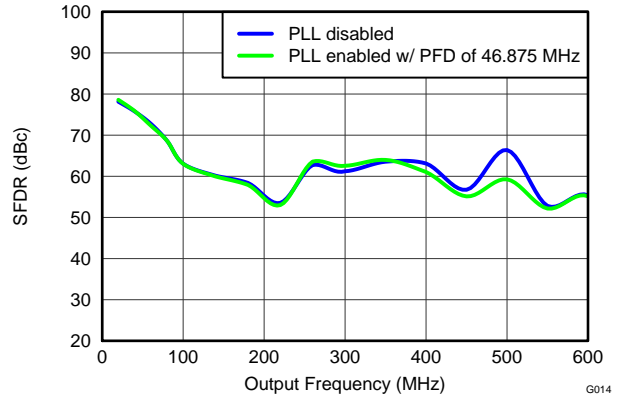


Figure 14. SFDR vs Output Frequency Over Cloning Options

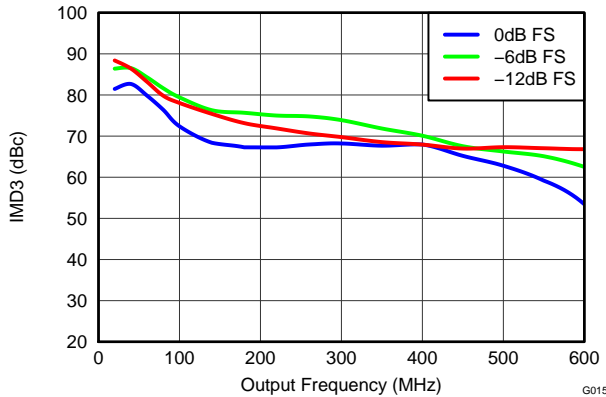


Figure 15. IMD3 vs Output Frequency Over Input Scale

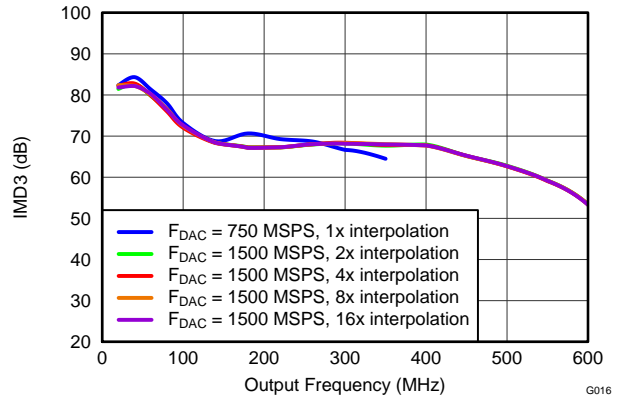


Figure 16. IMD3 vs Output Frequency Over Interpolation

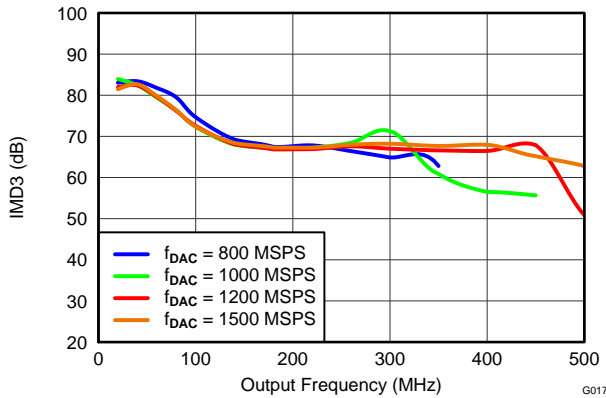


Figure 17. IMD3 vs Output Frequency Over f_{DAC}

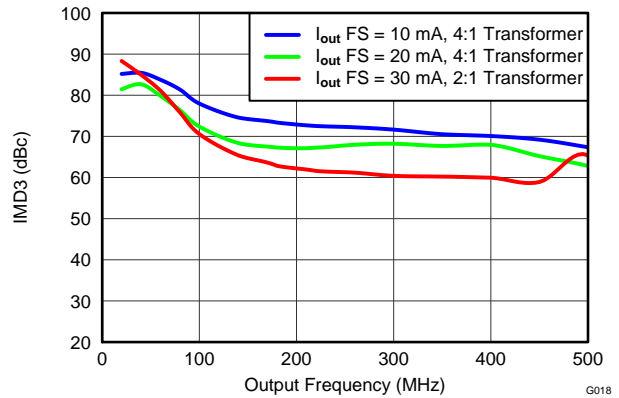


Figure 18. IMD3 vs Output Frequency Over I_{OUTFS}

ADVANCE INFORMATION

TYPICAL CHARACTERISTICS (continued)

All plots are at 25°C, nominal supply voltage, $f_{DAC} = 1500$ MSPS, 2x interpolation, NCO enabled, mixer gain disabled, QMC enabled with gain set at 1446 for both I/Q channels, 0-dBFS digital input, 20-mA full-scale output current with 4:1 transformer (unless otherwise noted)

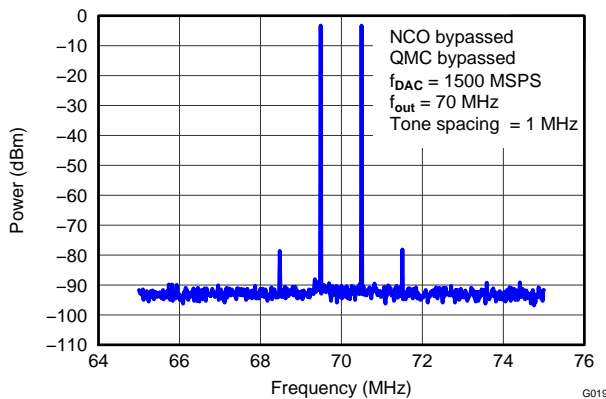


Figure 19. Two-Tone Spectral Plot

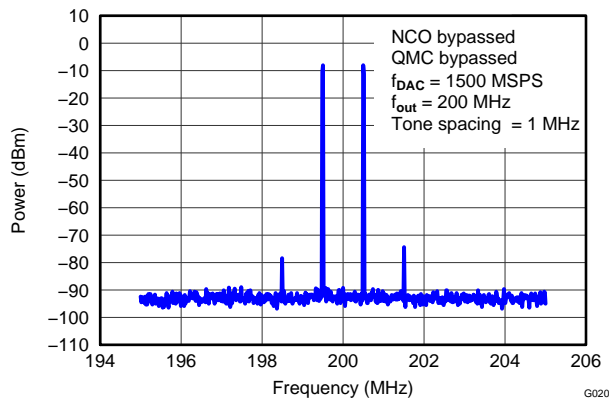


Figure 20. Two-Tone Spectral Plot

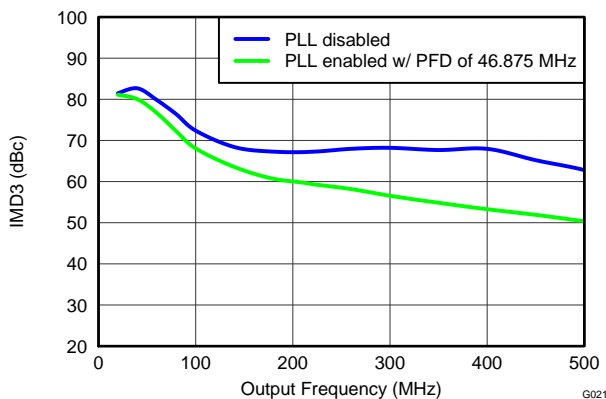


Figure 21. IMD3 vs Output Frequency Over Clacking Options

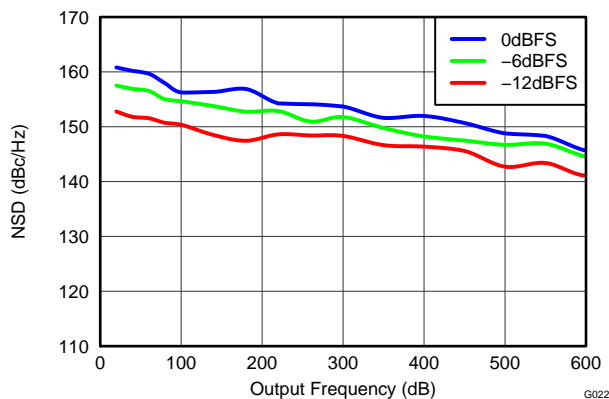


Figure 22. NSD vs Output Frequency Over Input Scale

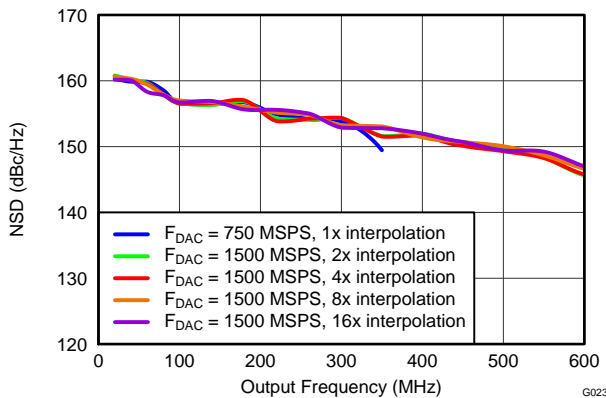


Figure 23. NSD vs Output Frequency Over Interpolation

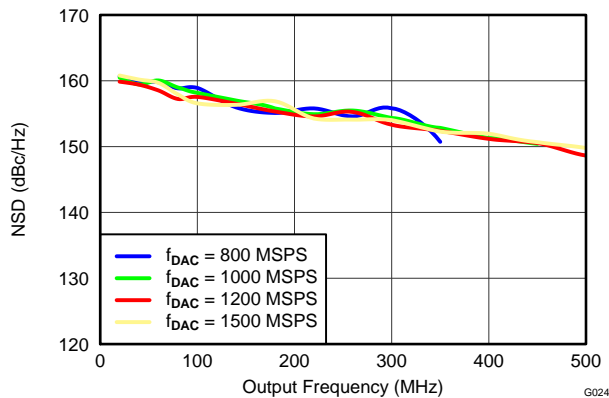


Figure 24. NSD vs Output Frequency Over f_{DAC}

ADVANCE INFORMATION

TYPICAL CHARACTERISTICS (continued)

All plots are at 25°C, nominal supply voltage, $f_{DAC} = 1500$ MSPS, 2x interpolation, NCO enabled, mixer gain disabled, QMC enabled with gain set at 1446 for both I/Q channels, 0-dBFS digital input, 20-mA full-scale output current with 4:1 transformer (unless otherwise noted)

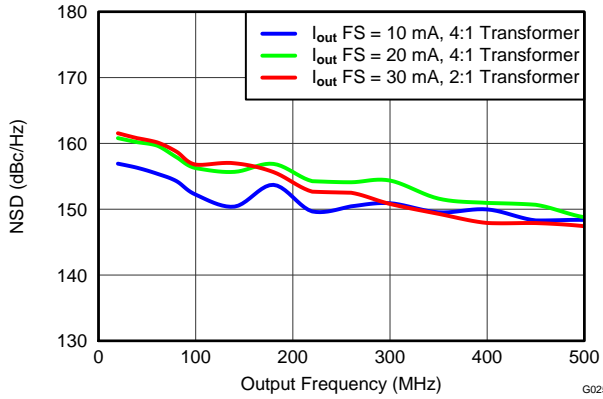


Figure 25. NSD vs Output Frequency Over I_{outFS}

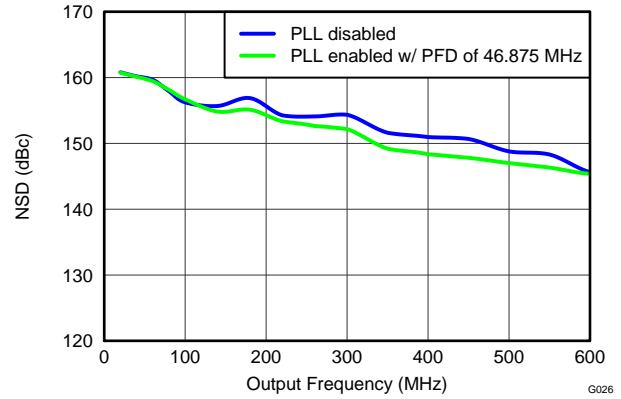


Figure 26. NSD vs Output Frequency Over Clocking Options

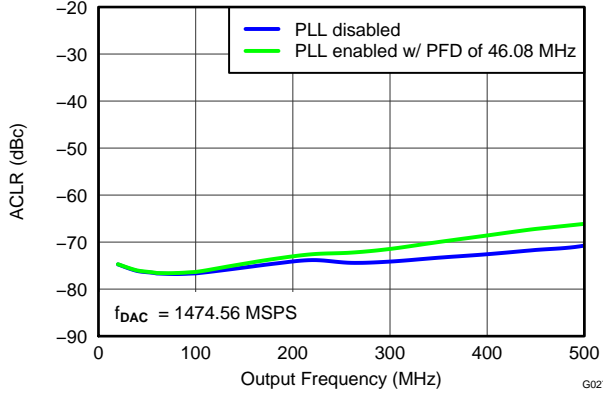


Figure 27. Single-Carrier WCDMA ACLR (Adjacent) vs Output Frequency Over Clocking Options

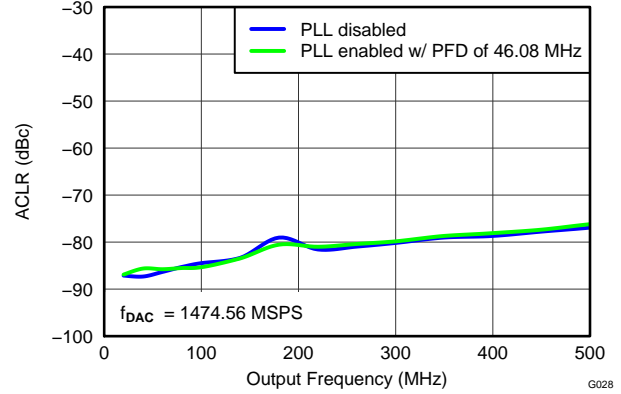


Figure 28. Single-Carrier WCDMA ACLR (Alternate) vs Output Frequency Over Clocking Options

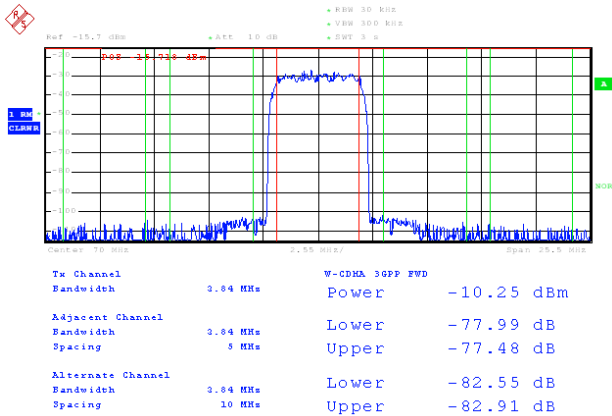


Figure 29. Single-Carrier WCDMA Test Mode1

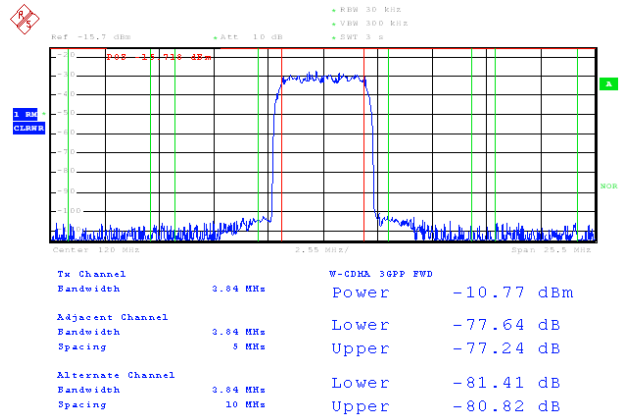


Figure 30. Single-Carrier WCDMA Test Mode1

ADVANCE INFORMATION

TYPICAL CHARACTERISTICS (continued)

All plots are at 25°C, nominal supply voltage, $f_{DAC} = 1500$ MSPS, 2x interpolation, NCO enabled, mixer gain disabled, QMC enabled with gain set at 1446 for both I/Q channels, 0-dBFS digital input, 20-mA full-scale output current with 4:1 transformer (unless otherwise noted)

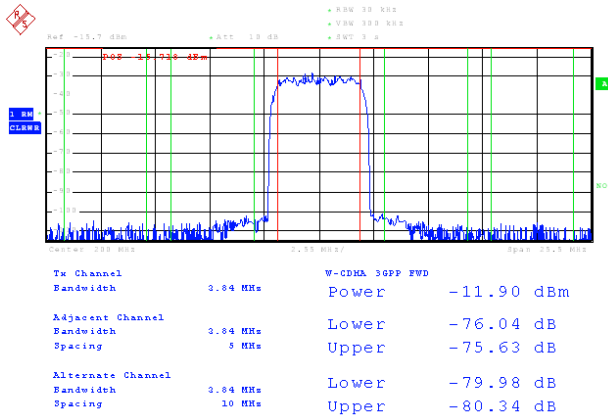


Figure 31. Single-Carrier WCDMA Test Mode1

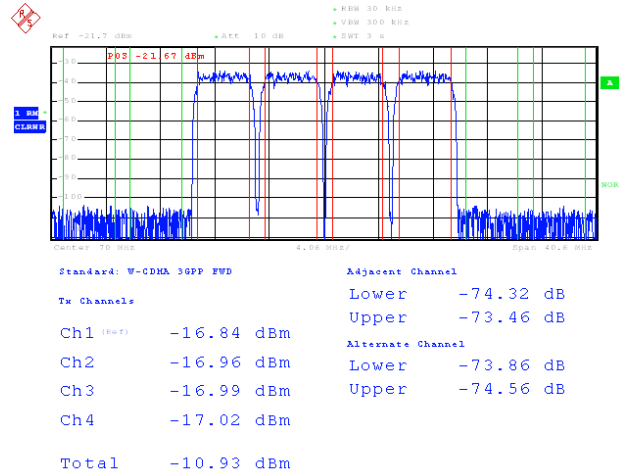


Figure 32. Four-Carrier WCDMA Test Mode1

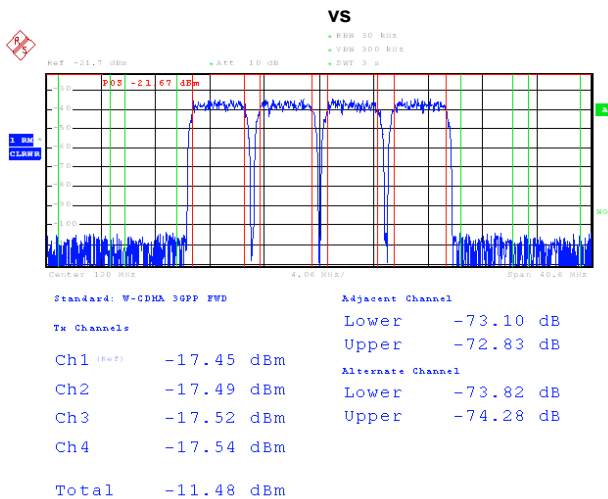


Figure 33. Four-Carrier WCDMA Test Mode1

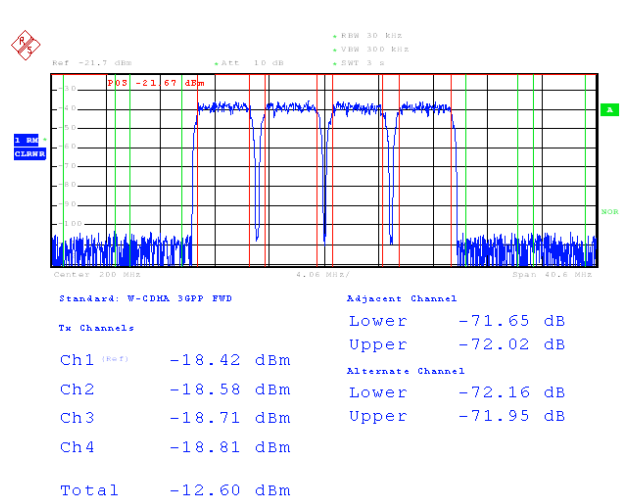


Figure 34. Four-Carrier WCDMA Test Mode1

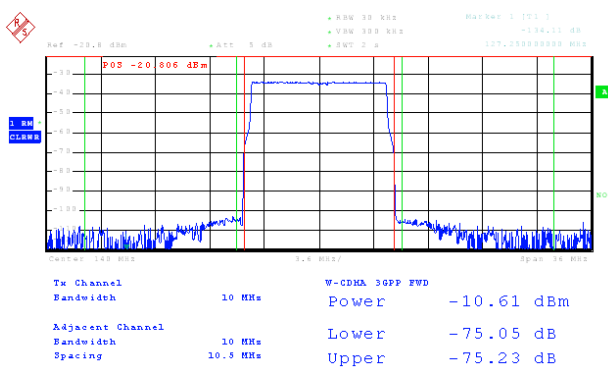


Figure 35. 10-MHz Single-Carrier LTE Test Mode3.1

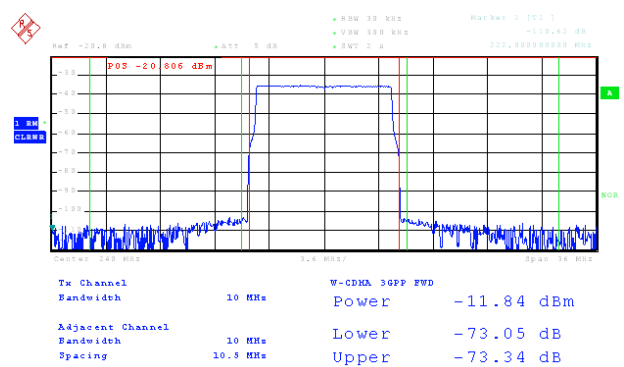


Figure 36. 10-MHz Single-Carrier LTE Test Mode3.1

ADVANCE INFORMATION

TYPICAL CHARACTERISTICS (continued)

All plots are at 25°C, nominal supply voltage, $f_{DAC} = 1500$ MSPS, 2x interpolation, NCO enabled, mixer gain disabled, QMC enabled with gain set at 1446 for both I/Q channels, 0-dBFS digital input, 20-mA full-scale output current with 4:1 transformer (unless otherwise noted)

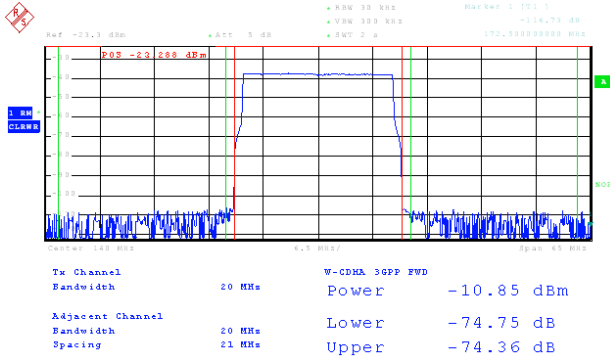


Figure 37. 20-MHz Single-Carrier LTE Test Mode3.1

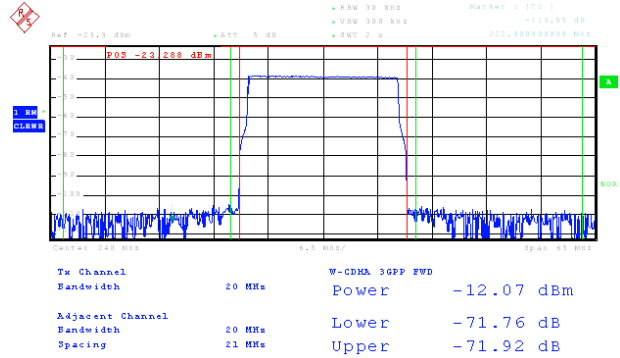


Figure 38. 20-MHz Single-Carrier LTE Test Mode3.1

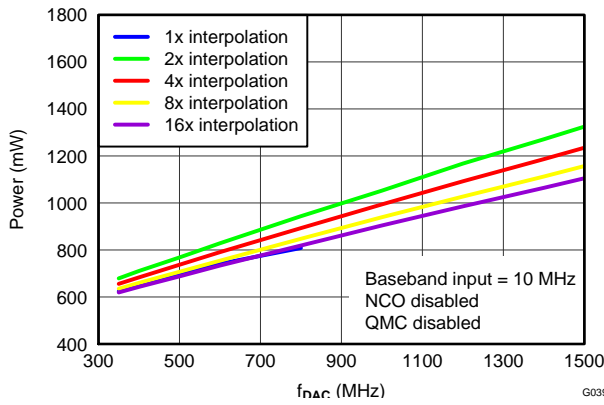


Figure 39. Power vs f_{DAC} Over Interpolation

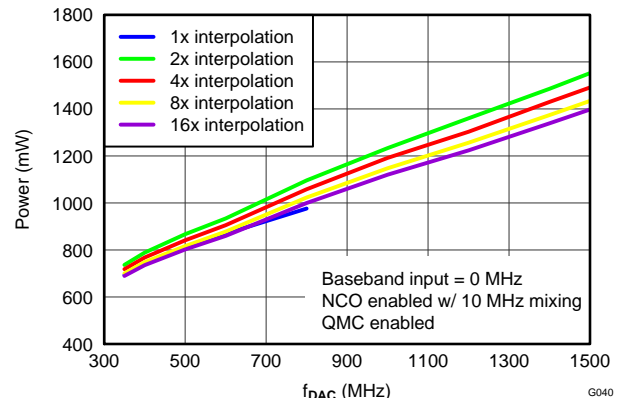


Figure 40. Power vs f_{DAC} Over Interpolation

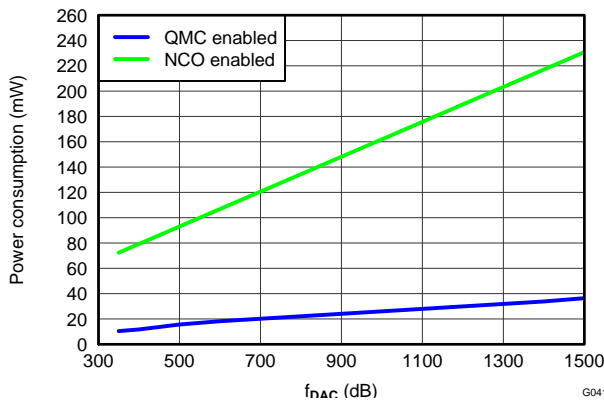


Figure 41. Power Consumption vs f_{DAC} Over Digital Processing Functions

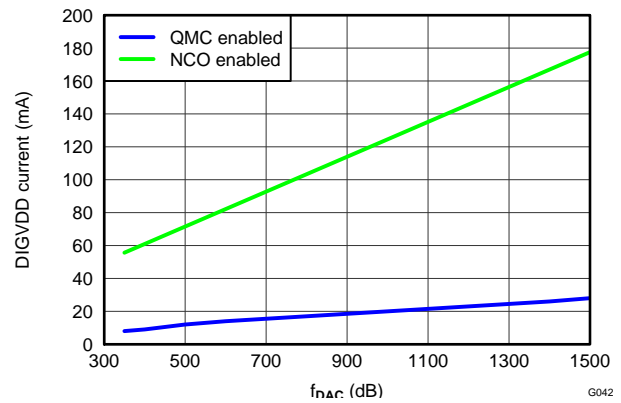


Figure 42. DIGVDD Current vs f_{DAC} Over Digital Processing Functions

ADVANCE INFORMATION

TYPICAL CHARACTERISTICS (continued)

All plots are at 25°C, nominal supply voltage, $f_{DAC} = 1500$ MSPS, 2x interpolation, NCO enabled, mixer gain disabled, QMC enabled with gain set at 1446 for both I/Q channels, 0-dBFS digital input, 20-mA full-scale output current with 4:1 transformer (unless otherwise noted)

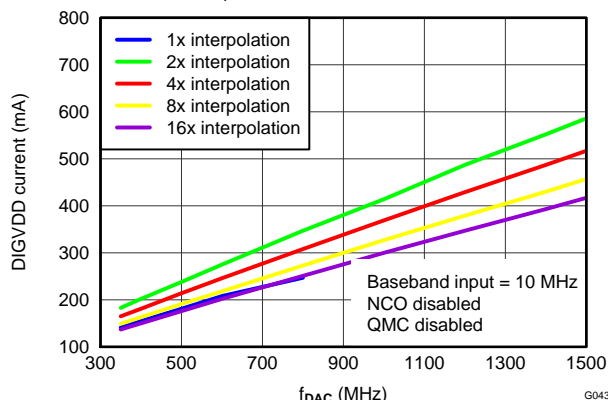


Figure 43. DIGVDD Current vs f_{DAC} Over Interpolation

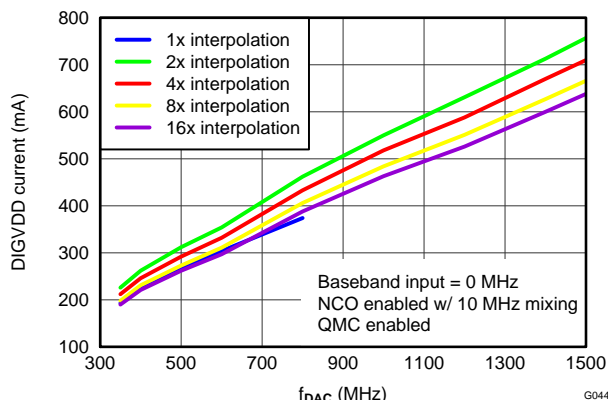


Figure 44. DIGVDD Current vs f_{DAC} Over Interpolation

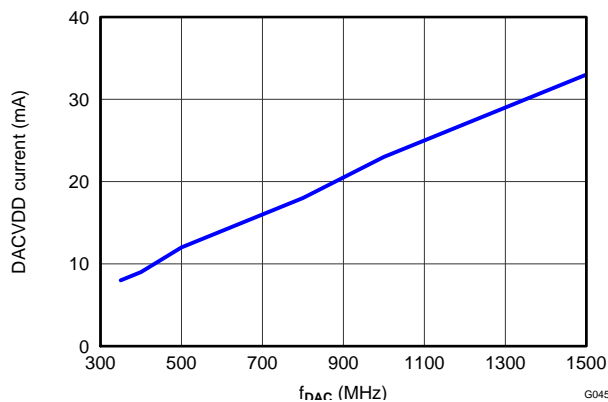


Figure 45. DACVDD Current vs f_{DAC} Over Interpolation

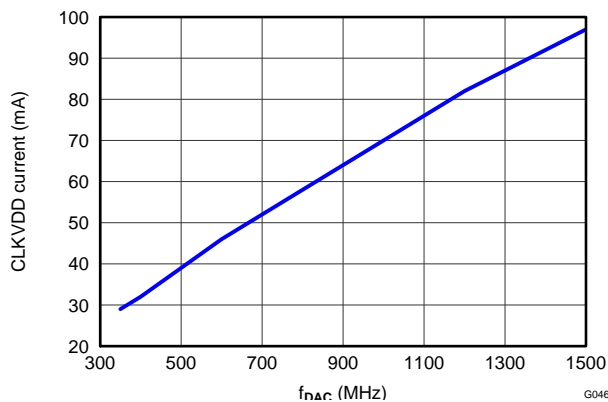


Figure 46. CLKVDD Current vs f_{DAC}

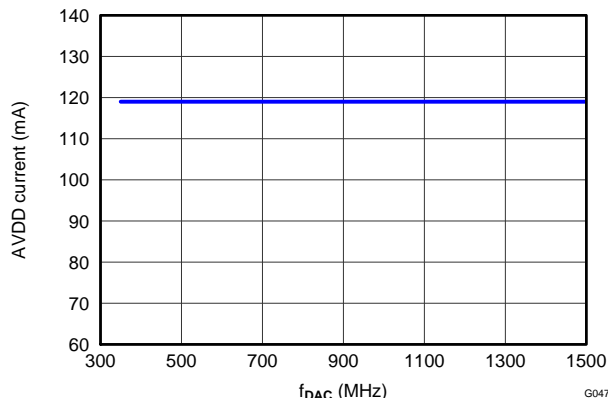


Figure 47. AVDD Current vs f_{DAC}

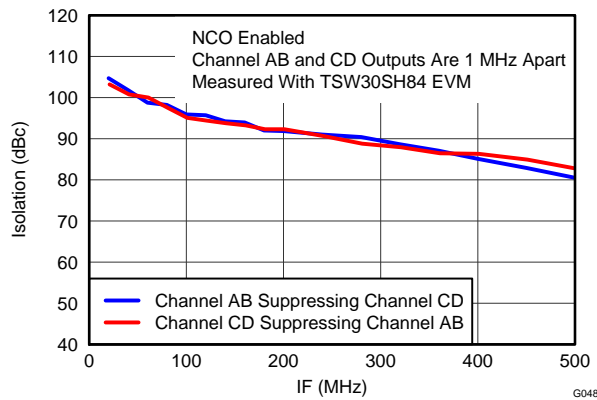


Figure 48. Channel Isolation vs IF

ADVANCE INFORMATION

DEFINITION OF SPECIFICATIONS

Adjacent-Carrier Leakage Ratio (ACLR): Defined for a 3.84-Mcps 3GPP W-CDMA input signal measured in a 3.84-MHz bandwidth at a 5-MHz offset from the carrier with a 12-dB peak-to-average ratio

Analog and Digital Power Supply Rejection Ratio (APSSR, DPSSR): Defined as the percentage error in the ratio of the delta IOUT and delta supply voltage normalized with respect to the ideal IOUT current

Differential Nonlinearity (DNL): Defined as the variation in analog output associated with an ideal 1-LSB change in the digital input code

Gain Drift: Defined as the maximum change in gain, in terms of ppm of full-scale range (FSR) per °C, from the value at ambient (25°C) to values over the full operating temperature range

Gain Error: Defined as the percentage error (in FSR%) for the ratio between the measured full-scale output current and the ideal full-scale output current

Integral Nonlinearity (INL): Defined as the maximum deviation of the actual analog output from the ideal output, determined by a straight line drawn from zero scale to full scale

Intermodulation Distortion (IMD3): The two-tone IMD3 is defined as the ratio (in dBc) of the third-order intermodulation distortion product to either fundamental output tone.

Offset Drift: Defined as the maximum change in dc offset, in terms of ppm of full-scale range (FSR) per °C, from the value at ambient (25°C) to values over the full operating temperature range

Offset Error: Defined as the percentage error (in FSR%) for the ratio between the measured mid-scale output current and the ideal mid-scale output current

Output Compliance Range: Defined as the minimum and maximum allowable voltage at the output of the current-output DAC. Exceeding this limit may result in reduced reliability of the device or adversely affect distortion performance.

Reference Voltage Drift: Defined as the maximum change of the reference voltage in ppm per degree Celsius from the value at ambient (25°C) to values over the full operating temperature range

Spurious-Free Dynamic Range (SFDR): Defined as the difference (in dBc) between the peak amplitude of the output signal and the peak spurious signal within the first Nyquist zone

Noise Spectral Density (NSD): Defined as the difference of power (in dBc) between the output tone signal power and the noise floor of 1-Hz bandwidth within the first Nyquist zone

SERIAL INTERFACE

The serial port of the DAC34SH84 is a flexible serial interface which communicates with industry-standard microprocessors and microcontrollers. The interface provides read/write access to all registers used to define the operating modes of the DAC34SH84. It is compatible with most synchronous transfer formats and can be configured as a three- or four-pin interface by *sif4_ena* in register *config2*. In both configurations, SCLK is the serial-interface input clock and SDENB is serial-interface enable. For the three-pin configuration, SDIO is a bidirectional pin for both data in and data out. For the four-pin configuration, SDIO is data-in only and SDO is data-out only. Data is input into the device with the rising edge of SCLK. Data is output from the device on the falling edge of SCLK.

Each read/write operation is framed by the serial-data enable bar (SDENB) signal asserted low. The first frame byte is the instruction cycle which identifies the following data transfer cycle as read or write as well as the 7-bit address to be accessed. [Table 1](#) indicates the function of each bit in the instruction cycle and is followed by a detailed description of each bit. The data transfer cycle consists of two bytes.

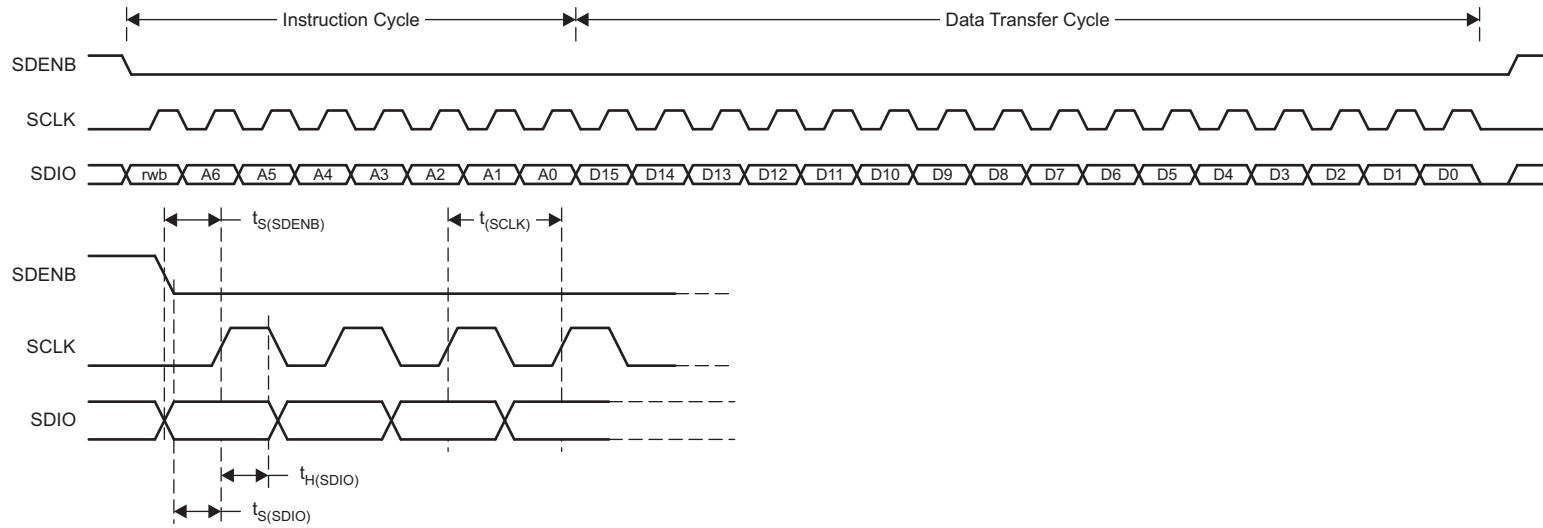
Table 1. Instruction Byte of the Serial Interface

	MSB							LSB
Bit	7	6	5	4	3	2	1	0
Description	R/W	A6	A5	A4	A3	A2	A1	A0

R/W Identifies the following data transfer cycle as a read or write operation. A high indicates a read operation from the DAC34SH84 and a low indicates a write operation to the DAC34SH84.

[A6 : A0] Identifies the address of the register to be accessed during the read or write operation.

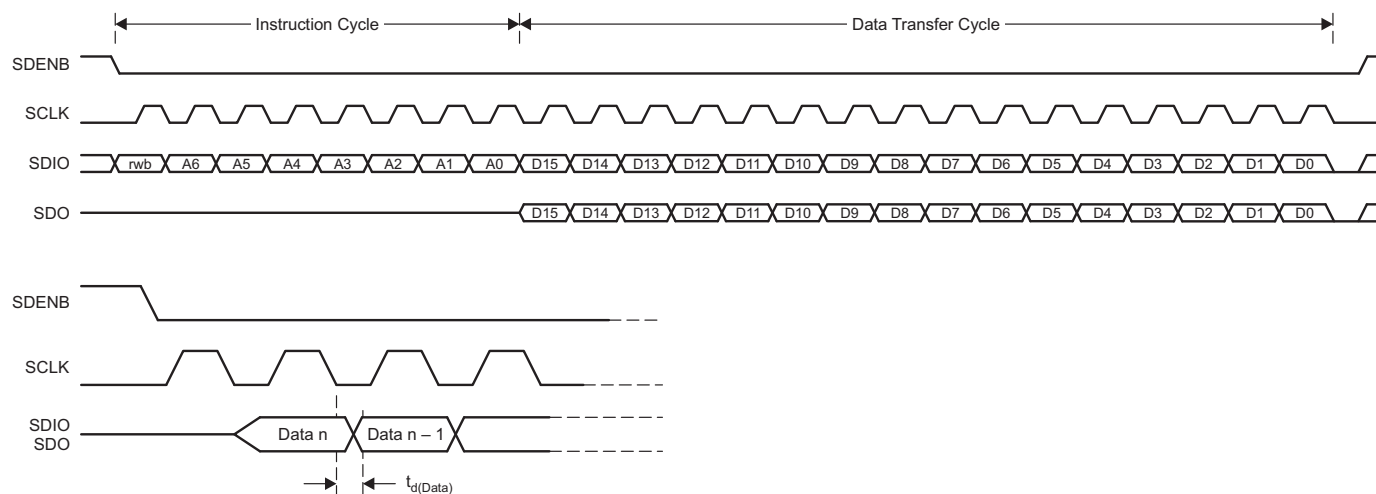
Figure 49 shows the serial interface timing diagram for a DAC34SH84 write operation. SCLK is the serial interface clock input to DAC34SH84. Serial data enable SDENB is an active low input to DAC34SH84. SDIO is serial data in. Input data to DAC34SH84 is clocked on the rising edges of SCLK.



T0521-01

Figure 49. Serial-Interface Write Timing Diagram

Figure 50 shows the serial interface timing diagram for a DAC34SH84 read operation. SCLK is the serial interface clock input to the DAC34SH84. Serial-data enable SDENB is an active-low input to the DAC34SH84. SDIO is serial data-in during the instruction cycle. In the three-pin configuration, SDIO is data out from the DAC34SH84 during the data transfer cycle, whereas SDO is in a high-impedance state. In the four-pin configuration, SDO is data-out from the DAC34SH84 during the data transfer cycle. At the end of the data transfer, SDIO and SDO output low on the final falling edge of SCLK until the rising edge of SDENB, when SDO goes into the high-impedance state.



T0522-01

Figure 50. Serial-Interface Read Timing Diagram

ADVANCE INFORMATION

Table 2. Register Map⁽¹⁾

Name	Address	Default	(MSB) Bit 15	Bit 14	Bit 13	Bit 12	Bit 11	Bit 10	Bit 9	Bit 8	Bit 7	Bit 6	Bit 5	Bit 4	Bit 3	Bit 2	Bit 1	(LSB) Bit 0	
config0	0x00	0x049C	qmc_offsetAB_ena	qmc_offsetCD_ena	qmc_corrAB_ena	qmc_corrCD_ena	interp(3:0)				fifo_ena	reserved	reserved	alarm_out_ena	alarm_out_pol	clkdiv_sync_ena	invsincAB_ena	invsincCD_ena	
config1	0x01	0x040E	iotest_ena	reserved	reserved	64cnt_ena	oddeven_parity	parity_ena	single_dual_parity	rev_interface	dacA_complement	dacB_complement	dacC_complement	dacD_complement	alarm_2away_ena	alarm_1away_ena	alarm_collision_ena	reserved	
config2	0x02	0x7000	reserved	dacclk_gone_ena	dataclk_gone_ena	collision_gone_ena	reserved	reserved	reserved	reserved	sif4_ena	mixer_ena	mixer_gain	nco_ena	revbus	reserved	twos	reserved	
config3	0x03	0xF000	coarse_dac(3:0)				reserved				reserved				sif_txenable				
config4	0x04	NA	iotest_results(15:0)																
config5	0x05	NA	alarm_from_zerochk	reserved	alarms_from_fifo(2:0)			alarm_dacclk_gone	alarm_dataclk_gone	alarm_output_gone	alarm_from_iotest	reserved	alarm_from_pll	alarm_Aparity	alarm_Bparity	alarm_Cparity	alarm_Dparity	reserved	
config6	0x06	NA	tmpdata(7:0)							reserved							reserved	reserved	
config7	0x07	0xFFFF	alarms_mask(15:0)																
config8	0x08	0x0000	reserved	reserved	reserved	qmc_offsetA(12:0)													
config9	0x09	0x8000	fifo_offset(2:0)			qmc_offsetB(12:0)													
config10	0x0A	0x0000	reserved	reserved	reserved	qmc_offsetC(12:0)													
config11	0x0B	0x0000	reserved	reserved	reserved	qmc_offsetD(12:0)													
config12	0x0C	0x0400	reserved	reserved	reserved	reserved	reserved	qmc_gainA(10:0)											
config13	0x0D	0x0400	cmix(3:0)				reserved	qmc_gainB(10:0)											
config14	0x0E	0x0400	reserved	reserved	reserved	reserved	reserved	qmc_gainC(10:0)											
config15	0x0F	0x0400	output_delayAB(1:0)	output_delayCD(1:0)	reserved	qmc_gainD(10:0)													
config16	0x10	0x0000	reserved	reserved	reserved	reserved	qmc_phaseAB(11:0)												
config17	0x11	0x0000	reserved	reserved	reserved	reserved	qmc_phaseCD(11:0)												
config18	0x12	0x0000	phase_offsetAB(15:0)																
config19	0x13	0x0000	phase_offsetCD(15:0)																
config20	0x14	0x0000	phase_addAB(15:0)																
config21	0x15	0x0000	phase_addAB(31:16)																
config22	0x16	0x0000	phase_addCD(15:0)																
config23	0x17	0x0000	phase_addCD(31:16)																
config24	0x18	NA	reserved			pll_reset	pll_ndivsync_ena	pll_ena	reserved			pll_cp(1:0)	pll_p(2:0)			pll_lfvolt(2:0)			
config25	0x19	0x0440	pll_m(7:0)							pll_n(3:0)				pll_vcoitune(1:0)			reserved		
config26	0x1A	0x0020	pll_vco(5:0)						reserved	reserved	bias_sleep	tsense_sleep	pll_sleep	clkrecv_sleep	sleepA	sleepB	sleepC	sleepD	
config27	0x1B	0x0000	extref_ena	reserved	reserved	reserved	fuse_sleep	reserved	reserved	reserved	reserved	reserved	reserved						
config28	0x1C	0x0000	reserved										reserved						
config29	0x1D	0x0000	reserved										reserved						
config30	0x1E	0x1111	syncsel_qmoffsetAB(3:0)				syncsel_qmoffsetCD(3:0)				syncsel_qmcorrAB(3:0)				syncsel_qmcorrCD(3:0)				

(1) Unless otherwise noted, all reserved registers should be programmed to default values.

Table 2. Register Map (continued)

Name	Address	Default	(MSB) Bit 15	Bit 14	Bit 13	Bit 12	Bit 11	Bit 10	Bit 9	Bit 8	Bit 7	Bit 6	Bit 5	Bit 4	Bit 3	Bit 2	Bit 1	(LSB) Bit 0		
config31	0x1F	0x1140	syncsel_mixerAB(3:0)			syncsel_mixerCD(3:0)			syncsel_nco(3:0)				syncsel_fifo_input		sif_sync		reserved			
config32	0x20	0x2400	syncsel_fifo_in(3:0)			syncsel_fifo_out(3:0)			reserved										clkdiv_sync_sel	
config33	0x21	0x0000	reserved																	
config34	0x22	0x1B1B	pathA_in_set(1:0)		pathB_in_set(1:0)		pathC_in_set(1:0)		pathD_in_set(1:0)		DACA_out_set(1:0)		DACB_out_set(1:0)		DACC_out_set(1:0)		DACD_out_set(1:0)			
config35	0x23	0xFFFF	sleep_cntl(15:0)																	
config36	0x24	0x0000	datadly(2:0)			clkdly(2:0)			reserved											
config37	0x25	0x7A7A	iotest_pattern0																	
config38	0x26	0xB6B6	iotest_pattern1																	
config39	0x27	0xEAEA	iotest_pattern2																	
config40	0x28	0x4545	iotest_pattern3																	
config41	0x29	0x1A1A	iotest_pattern4																	
config42	0x2A	0x1616	iotest_pattern5																	
config43	0x2B	0xAAAA	iotest_pattern6																	
config44	0x2C	0xC6C6	iotest_pattern7																	
config45	0x2D	0x0004	reserved	ostrtodig_sel	ramp_ena	reserved											sifdac_ena			
config46	0x2E	0x0000	grp_delayA(7:0)							grp_delayB(7:0)										
config47	0x2F	0x0000	grp_delayC(7:0)							grp_delayD(7:0)										
config48	0x30	0x0000	sifdac(15:0)																	
version	0x7F	0x5409	reserved						reserved	reserved		reserved		deviceid(1:0)		versionid(2:0)				

REGISTER DESCRIPTIONS
Register name: config0 – Address: 0x00, Default: 0x049C

Register Name	Address	Bit	Name	Function	Default Value
config0	0x00	15	qmc_offsetAB_ena	When set, the digital quadrature modulator correction (QMC) offset correction for the AB data path is enabled.	0
		14	qmc_offsetCD_ena	When set, the digital QMC offset correction for the CD data path is enabled.	0
		13	qmc_corrAB_ena	When set, the QMC phase and gain correction circuitry for the AB data path is enabled.	0
		12	qmc_corrCD_ena	When set, the QMC phase and gain correction circuitry for the CD data path is enabled.	0
		11:8	interp(3:0)	These bits define the interpolation factor.	0100
			interp	Interpolation Factor	
			0000	1x	
			0001	2x	
			0010	4x	
			0100	8x	
			1000	16x	
		7	fifo_ena	When set, the FIFO is enabled. When the FIFO is disabled. DACCLKP/N and DATACLKP/N must be aligned (not recommended).	1
		6	Reserved	Reserved for factory use	0
		5	Reserved	Reserved for factory use	0
4	alarm_out_ena	When set, the ALARM pin becomes an output. When cleared, the ALARM pin is in the high-impedance state.	1		
3	alarm_out_pol	This bit changes the polarity of the ALARM signal. 0: Negative logic 1: Positive logic	1		
2	clkdiv_sync_ena	When set, enables the syncing of the clock divider and the FIFO output pointer using the sync source selected by register <i>config32</i> . The internal divided-down clocks are phase-aligned after syncing. See the Power-Up Sequence section for more detail.	1		
1	invsincAB_ena	When set, the inverse sinc filter for the AB data path is enabled.	0		
0	invsincCD_ena	When set, the inverse sinc filter for the CD data path is enabled.	0		

ADVANCE INFORMATION

Register name: config1 – Address: 0x01, Default: 0x040E

Register Name	Address	Bit	Name	Function	Default Value
config1	0x01	15	iotest_ena	When set, enables the data pattern checker test. The outputs are deactivated regardless of the state of TXENA and sif_txenable.	0
		14	Reserved	Reserved for factory use	0
		13	Reserved	Reserved for factory use	0
		12	64cnt_ena	When set, enables resetting of the alarms after 64 good samples with the goal of removing unnecessary errors. For instance, when checking setup or hold through the pattern checker test, there may initially be errors. Setting this bit removes the need for a SIF write to clear the alarm register.	0
		11	oddeven_parity	Selects between odd and even parity check 0: Even parity 1: Odd parity	0
		10	parity_ena	When set, enables parity checking of each input word using the 1 PARITYP/N parity input. It should match the oddeven_parity register setting.	1
		9	single_dual_parity	When set, enables dual parity checking; otherwise, single parity checking. The parity bit should match the oddeven_parity register setting. <i>parity_ena</i> must be set for dual parity to function.	0
		8	rev_interface	When set, the PARITY, SYNC, and ISTR inputs are rotated to allow complete reversal of the data interface when setting the <i>rev_interface</i> bit. When <i>rev_interface</i> = 1, the following changes occurs 1. SYNCP/N becomes ISTRP/N. 2. PARITYP/N becomes SYNCP/N. 3. ISTRP/N becomes PARITYP/N.	0
		7	dacA_complement	When set, the DACA output is complemented. This allows effectively changing the + and – designations of the LVDS data lines.	0
		6	dacB_complement	When set, the DACB output is complemented. This allows effectively changing the + and – designations of the LVDS data lines.	0
		5	dacC_complement	When set, the DACC output is complemented. This allows effectively changing the + and – designations of the LVDS data lines.	0
		4	dacD_complement	When set, the DACD output is complemented. This allows effectively changing the + and – designations of the LVDS data lines.	0
		3	alarm_2away_ena	When set, the alarm from the FIFO indicating the write and read pointers being 2 away is enabled.	1
		2	alarm_1away_ena	When set, the alarm from the FIFO indicating the write and read pointers being 1 away is enabled.	1
1	alarm_collision_ena	When set, the alarm from the FIFO indicating a collision between the write and read pointers is enabled.	1		
0	Reserved	Reserved for factory use	0		

Register name: config2 – Address: 0x02, Default: 0x7000

Register Name	Address	Bit	Name	Function	Default Value
config2	0x02	15	Reserved	Reserved for factory use	0
		14	dacclkgone_ena	When set, the DACCLK-gone signal from the clock monitor circuit can be used to shut off the DAC outputs. The corresponding alarms, <i>alarm_dacclk_gone</i> and <i>alarm_output_gone</i> , must not be masked (i.e., <i>config7</i> , bit <10> and bit <8> must set to 0).	1
		13	dataclkgone_ena	When set, the DATACLK-gone signal from the clock monitor circuit can be used to shut off the DAC outputs. The corresponding alarms, <i>alarm_dataclk_gone</i> and <i>alarm_output_gone</i> , must not be masked (i.e., <i>config7</i> , bit <9> and bit <8> must set to 0).	1
		12	collisiongone_ena	When set, the FIFO collision alarms can be used to shut off the DAC outputs. The corresponding alarms, <i>alarm_fifo_collision</i> and <i>alarm_output_gone</i> , must not be masked (i.e., <i>config7</i> , bit <13> and bit <8> must set to 0).	1
		11	Reserved	Reserved for factory use	0
		10	Reserved	Reserved for factory use	0
		9	Reserved	Reserved for factory use	0
		8	Reserved	Reserved for factory use	0
		7	sif4_ena	When set, the serial interface (SIF) is a 4-bit interface; otherwise, it is a 3-bit interface.	0
		6	mixer_ena	When set, the mixer block is enabled.	0
		5	mixer_gain	When set, a 6-dB gain is added to the mixer output.	0
		4	nco_ena	When set, the NCO is enabled. This is not required for coarse mixing.	0
		3	revbus	When set, the input bits for the data bus are reversed. MSB becomes LSB.	0
		2	Reserved	Reserved for factory use	0
		1	twos	When set, the input data format is expected to be 2s-complement. When cleared, the input is expected to be offset-binary.	0
0	Reserved	Reserved for factory use	0		

Register name: config3 – Address: 0x03, Default: 0xF000

Register Name	Address	Bit	Name	Function	Default Value
config3	0x03	15:12	coarse_dac(3:0)	Scales the output current in 16 equal steps. $I_{FS} = \frac{V_{EXTIO}}{R_{BIAS}} \times 2 \times (\text{coarse_dac} + 1)$	1111
		11:8	Reserved	Reserved for factory use	0000
		7:1	Reserved	Reserved for factory use	0000 000
		0	sif_txenable	When set, the internal value of TXENABLE is set to 1. To enable analog output data transmission, set <i>sif_txenable</i> to 1 or pull the CMOS TXENA pin (N9) to high. To disable analog output, set <i>sif_txenable</i> to 0 and pull the CMOS TXENA pin (N9) to low.	0

Register name: config4 – Address: 0x04, Default: No RESET Value (WRITE TO CLEAR)

Register Name	Address	Bit	Name	Function	Default Value
config4	0x04	15:0	iotest_results(15:0)	Bits in <i>iotest_results</i> with a logic value of 1 tell which bit in either DAB[15:0] bus or DCD[15:0] bus failed during the pattern checker test. <i>iotest_results</i> (15:8) correspond to the data bits on both DAB[15:8] and DCD[15:8]. <i>iotest_results</i> (7:0) correspond to the data bits on both DAB[7:0] and DCD[7:0].	No RESET value

Register name: config5 – Address: 0x05, Default: Setup and Power-Up Conditions Dependent (WRITE TO CLEAR)

Register Name	Address	Bit	Name	Function	Default Value
config5	0x05	15	alarm_from_zerochk	This alarm indicates the 8-bit FIFO write pointer address has an all-zeros pattern. Due to the pointer address being a shift register, this is not a valid address and causes the write pointer to be stuck until the next sync. This error is typically caused by a timing error or improper power start-up sequence. If this alarm is asserted, resynchronization of the FIFO is necessary. See the Power-Up Sequence section for more detail.	NA
		14	Reserved	Reserved for factory use	NA
		13:11	alarms_from_fifo(2:0)	Alarm indicating FIFO pointer collisions and nearness: 000: All fine 001: Pointers are 2 away. 01x: Pointers are 1 away. 1xx: FIFO pointer collision If the FIFO pointer collision alarm is set when <i>collisiogone_ena</i> is enabled, the FIFO must be re-synchronized and the bits must be cleared to resume normal operation.	NA
		10	alarm_dacclk_gone	Alarm indicating the DACCLK has been stopped. If the bit is set when <i>dacclkgone_ena</i> is enabled, DACCLK must resume and the bit must be cleared to resume normal operation.	NA
		9	alarm_dataclk_gone	Alarm indicating the DATACLK has been stopped. If the bit is set when <i>dataclkgone_ena</i> is enabled, DATACLK must resume and the bit must be cleared to resume normal operation.	NA
		8	alarm_output_gone	Alarm indicating either <i>alarm_dacclk_gone</i> , <i>alarm_dataclk_gone</i> , or <i>alarm_fifo_collision</i> are asserted. It controls the output. When high, it outputs 0x8000 for each output connected to the DAC. If the bit is set when <i>dacclkgone_ena</i> , <i>dataclkgone_ena</i> , or <i>collisiogone_ena</i> are enabled, then the corresponding errors must be fixed and the bits must be cleared to resume normal operation.	NA
		7	alarm_from_iotest	Alarm indicating the input data pattern does not match the pattern in the <i>iotest_pattern</i> registers. When the data pattern checker mode is enabled, this alarm in register <i>config5</i> , bit7 is the only valid alarm. Other alarms in register <i>config5</i> are not valid and can be disregarded.	NA
		6	Reserved	Reserved for factory use	NA
		5	alarm_from_pll	Alarm indicating the PLL has lost lock. For version ID 001, <i>alarm_from_PLL</i> may not indicate the correct status of the PLL. See <i>pll_lfvolt(2:0)</i> in register <i>config24</i> for proper PLL lock indication.	NA
		4	alarm_Aparity	In dual-parity mode, an alarm indicating a parity error on the A word. In single-parity mode, an alarm on the 32-bit data captured on the rising edge of DATACLKP/N.	NA
		3	alarm_Bparity	In dual-parity mode, an alarm indicating a parity error on the B word. In single-parity mode, an alarm on the 32-bit data captured on the falling edge of DATACLKP/N.	NA
		2	alarm_Cparity	In dual-parity mode, an alarm indicating a parity error on the C word.	NA
		1	alarm_Dparity	In dual-parity mode, an alarm indicating a parity error on the D word.	NA
0	Reserved	Reserved for factory use	NA		

ADVANCE INFORMATION

Register name: config6 – Address: 0x06, Default: No RESET Value (READ ONLY)

Register Name	Address	Bit	Name	Function	Default Value
config6	0x06	15:8	tempdata(7:0)	This is the output from the chip temperature sensor. The value of this register in 2s-complement format represents the temperature in degrees Celsius. This register must be read with a minimum SCLK period of 1 μs.	No RESET Value
		7:2	Reserved	Reserved for factory use	0000 00
		1	Reserved	Reserved for factory use	0
		0	Reserved	Reserved for factory use	0

Register name: config7 – Address: 0x07, Default: 0xFFFF

Register Name	Address	Bit	Name	Function	Default Value	
config7	0x07	15:0	alarms_mask(15:0)	These bits control the masking of the alarms. (0 = not masked, 1 = masked)	0xFFFF	
				alarm_mask		Alarm That Is Masked
				15		alarm_from_zerockh
				14		Not used
				13		alarm_fifo_collision
				12		alarm_fifo_1away
				11		alarm_fifo_2away
				10		alarm_dacclk_gone
				9		alarm_dataclk_gone
				8		alarm_output_gone
				7		alarm_from_iotest
				6		Not used
				5		alarm_from_pll
				4		alarm_Aparity
				3		alarm_Bparity
2	alarm_Cparity					
1	alarm_Dparity					
0	Not used					

Register name: config8 – Address: 0x08, Default: 0x0000 (CAUSES AUTO-SYNC)

Register Name	Address	Bit	Name	Function	Default Value
config8	0x08	15	Reserved	Reserved for factory use	0
		14	Reserved	Reserved for factory use	0
		13	Reserved	Reserved for factory use	0
		12:0	qmc_offsetA(12:0)	DACA offset correction. The offset is measured in DAC LSBs. If enabled in config30, writing to this register causes an auto-sync to be generated. This loads the values of the QMC offset registers (config8–config9) into the offset block at the same time. When updating the offset values for the AB channel, config8 should be written last. Programming config9 does not affect the offset setting.	All zeros

Register name: config9 – Address: 0x09, Default: 0x8000

Register Name	Address	Bit	Name	Function	Default Value
config9	0x09	15:13	fifo_offset(2:0)	When the sync to the FIFO occurs, this is the value loaded into the FIFO read pointer. With this value, the initial difference between write and read pointers can be controlled. This may be helpful in syncing multiple chips or controlling the delay through the device.	100
		12:0	qmc_offsetB(12:0)	DACB offset correction. The offset is measured in DAC LSBs.	All zeros

Register name: config10 – Address: 0x0A, Default: 0x0000 (CAUSES AUTO-SYNC)

Register Name	Address	Bit	Name	Function	Default Value
config10	0x0A	15	Reserved	Reserved for factory use	0
		14	Reserved	Reserved for factory use	0
		13	Reserved	Reserved for factory use	0
		12:0	qmc_offsetC(12:0)	DACC offset correction. The offset is measured in DAC LSBs. If enabled in config30 writing to this register causes an auto-sync to be generated. This loads the values of the CD-channel QMC offset registers (config10-config11) into the offset block at the same time. When updating the offset values for the CD-channel config10 should be written last. Programming config11 does not affect the offset setting.	All zeros

Register name: config11 – Address: 0x0B, Default: 0x0000

Register Name	Address	Bit	Name	Function	Default Value
config11	0x0B	15	Reserved	Reserved for factory use	0
		14	Reserved	Reserved for factory use	0
		13	Reserved	Reserved for factory use	0
		12:0	qmc_offsetD(12:0)	DACD offset correction. The offset is measured in DAC LSBs.	All zeros

Register name: config12 – Address: 0x0C, Default: 0x0400

Register Name	Address	Bit	Name	Function	Default Value
config12	0x0C	15	Reserved	Reserved for factory use	0
		14	Reserved	Reserved for factory use	0
		13	Reserved	Reserved for factory use	0
		12	Reserved	Reserved for factory use	0
		11	Reserved	Reserved for factory use	0
		10:0	qmc_gainA(10:0)	QMC gain for DACA. The full 11-bit <i>qmc_gainA(10:0)</i> word is formatted as UNSIGNED with a range of 0 to 1.9990. The implied decimal point for the multiplication is between bit 9 and bit 10.	100 0000 0000

Register name: config13 – Address: 0x0D, Default: 0x0400

Register Name	Address	Bit	Name	Function	Default Value
config13	0x0D	15:12	cmix_mode(3:0)	Sets the mixing function of the coarse mixer. Bit 15: $f_s / 8$ mixer Bit 14: $f_s / 4$ mixer Bit 13: $f_s / 2$ mixer Bit 12: $-f_s / 4$ mixer The various mixers can be combined together to obtain a $\pm n \times f_s / 8$ total mixing factor.	0000
		11	Reserved	Reserved for factory use	0
		10:0	qmc_gainB(10:0)	QMC gain for DACB. The full 11-bit <i>qmc_gainB(10:0)</i> word is formatted as UNSIGNED with a range of 0 to 1.9990. The implied decimal point for the multiplication is between bit 9 and bit 10.	100 0000 0000

Register name: config14 – Address: 0x0E, Default: 0x0400

Register Name	Address	Bit	Name	Function	Default Value
config14	0x0E	15	Reserved	Reserved for factory use	0
		14	Reserved	Reserved for factory use	0
		13	Reserved	Reserved for factory use	0
		12	Reserved	Reserved for factory use	0
		11	Reserved	Reserved for factory use	0
		10:0	qmc_gainC(10:0)	QMC gain for DACC. The full 11-bit <i>qmc_gainC(10:0)</i> word is formatted as UNSIGNED with a range of 0 to 1.9990. The implied decimal point for the multiplication is between bit 9 and bit 10.	100 0000 0000

Register name: config15 – Address: 0x0F, Default: 0x0400

Register Name	Address	Bit	Name	Function	Default Value
config15	0x0F	15:14	output_delayAB(1:0)	Delays the AB data path outputs from 0 to 3 DAC clock cycles	00
		13:12	output_delayCD(1:0)	Delays the CD data path outputs from 0 to 3 DAC clock cycles	00
		11	Reserved	Reserved for factory use	0
		10:0	qmc_gainD(10:0)	QMC gain for DACD. The full 11-bit <i>qmc_gainD(10:0)</i> word is formatted as UNSIGNED with a range of 0 to 1.9990. The implied decimal point for the multiplication is between bit 9 and bit 10.	100 0000 0000

Register name: config16 – Address: 0x10, Default: 0x0000 (CAUSES AUTO-SYNC)

Register Name	Address	Bit	Name	Function	Default Value
config16	0x10	15	Reserved	Reserved for factory use	0
		14	Reserved	Reserved for factory use	0
		13	Reserved	Reserved for factory use	0
		12	Reserved	Reserved for factory use	0
		11:0	qmc_phaseAB(11:0)	QMC correction phase for the AB data path. The 12-bit <i>qmc_phaseAB(11:0)</i> word is formatted as 2s-complement and scaled to occupy a range of –0.5 to 0.49975 and a default phase correction of 0.00. To accomplish QMC phase correction, this value is multiplied by the current B sample, then summed into the A sample. If enabled in <i>config30</i>, writing to this register causes an auto-sync to be generated. This loads the values of the QMC offset registers (<i>config12</i>, <i>config13</i>, and <i>config16</i>) into the QMC block at the same time. When updating the QMC values for the AB channel, <i>config16</i> should be written last. Programming <i>config12</i> and <i>config13</i> does not affect the QMC settings.	All zeros

Register name: config17 – Address: 0x11, Default: 0x0000 (CAUSES AUTO-SYNC)

Register Name	Address	Bit	Name	Function	Default Value
config17	0x11	15	Reserved	Reserved for factory use	0
		14	Reserved	Reserved for factory use	0
		13	Reserved	Reserved for factory use	0
		12	Reserved	Reserved for factory use	0
		11:0	qmc_phaseCD(11:0)	QMC correction phase for the CD data path. The 12-bit <i>qmc_gainCD(11:0)</i> word is formatted as 2s-complement and scaled to occupy a range of –0.5 to 0.49975 and a default phase correction of 0.00. To accomplish QMC phase correction, this value is multiplied by the current D sample, then summed into the C sample. If enabled in <i>config30</i>, writing to this register causes an auto-sync to be generated. This loads the values of the CD-channel QMC block registers (<i>config14</i>, <i>config15</i>, and <i>config17</i>) into the QMC block at the same time. When updating the QMC values for the CD-channel, <i>config17</i> should be written last. Programming <i>config14</i> and <i>config15</i> does not affect the QMC settings.	All zeros

Register name: config18 – Address: 0x12, Default: 0x0000 (CAUSES AUTO-SYNC)

Register Name	Address	Bit	Name	Function	Default Value
config18	0x12	15:0	phase_offsetAB(15:0)	Phase offset added to the AB data path NCO accumulator before the generation of the SIN and COS values. The phase offset is added to the upper 16 bits of the NCO accumulator results, and these 16 bits are used in the sin and cos lookup tables. If enabled in <i>config31</i>, writing to this register causes an auto-sync to be generated. This loads the values of the fine mixer block registers (<i>config18</i>, <i>config20</i>, and <i>config21</i>) at the same time. When updating the mixer values, <i>config18</i> should be written last. Programming <i>config20</i> and <i>config21</i> does not affect the mixer settings.	0x0000

Register name: config19 – Address: 0x13, Default: 0x0000 (CAUSES AUTO-SYNC)

Register Name	Address	Bit	Name	Function	Default Value
config19	0x13	15:0	phase_offsetCD(15:0)	Phase offset added to the CD data path NCO accumulator before the generation of the SIN and COS values. The phase offset is added to the upper 16 bits of the NCO accumulator results, and these 16 bits are used in the sin and cos lookup tables. If enabled in <i>config31</i>, writing to this register causes an auto-sync to be generated. This loads the values of the CD-channel fine mixer block registers (<i>config19</i>, <i>config22</i>, and <i>config23</i>) at the same time. When updating the mixer values for the CD-channel, <i>config19</i> should be written last. Programming <i>config22</i> and <i>config23</i> does not affect the mixer settings.	0x0000

Register name: config20 – Address: 0x14, Default: 0x0000

Register Name	Address	Bit	Name	Function	Default Value
config20	0x14	15:0	phase_addAB(15:0)	The <i>phase_addAB(15:0)</i> value is used to determine the NCO frequency. The 2s-complement formatted value can be positive or negative. Each LSB represents an $f_s / (2^{32})$ frequency step.	0x0000

Register name: config21 – Address: 0x15, Default: 0x0000

Register Name	Address	Bit	Name	Function	Default Value
config21	0x15	15:0	phase_addAB(31:16)	See <i>config20</i> .	0x0000

Register name: config22 – Address: 0x16, Default: 0x0000

Register Name	Address	Bit	Name	Function	Default Value
config22	0x16	15:0	phase_addCD(15:0)	The <i>phase_addCD(15:0)</i> value is used to determine the NCO frequency. The 2s-complement formatted value can be positive or negative. Each LSB represents an $f_s / (2^{32})$ frequency step.	0x0000

Register name: config23 – Address: 0x17, Default: 0x0000

Register Name	Address	Bit	Name	Function	Default Value
config23	0x17	15:0	phase_addCD(31:16)	See <i>config22</i> above.	0x0000

Register name: config24 – Address: 0x18, Default: NA

Register Name	Address	Bit	Name	Function	Default Value
config24	0x18	15:13	Reserved	Reserved for factory use	001
		12	pll_reset	When set, the PLL loop filter (LPF) is pulled down to 0 V. Toggle from 1 to 0 to restart the PLL if an overspeed lockup occurs. Overspeed can happen when the process is fast, the supplies are higher than nominal, etc., resulting in the feedback dividers missing a clock.	0
		11	pll_ndivsync_ena	When set, the LVDS SYNC input is used to sync the PLL N dividers.	1
		10	pll_ena	When set, the PLL is enabled. When cleared, the PLL is bypassed.	0
		9:8	Reserved	Reserved for factory use	00
		7:6	pll_cp(1:0)	PLL pump charge select 00: No charge pump 01: Single pump charge 10: Not used 11: Dual pump charge	00
		5:3	pll_p(2:0)	PLL pre-scaler dividing module control 010: 2 011: 3 100: 4 101: 5 110: 6 111: 7 000: 8	001
		2:0	pll_lfvolt(2:0)	PLL loop filter voltage. This 3-bit read-only indicator has step size of 0.4125 V. The entire range covers from 0 V to 3.3 V. The optimal lock range of the PLL is from 010 to 101 (i.e., 0.825 V to 2.063 V). Adjust <i>pll_vco(5:0)</i> for optimal lock range.	NA

Register name: config25 – Address: 0x19, Default: 0x0440

Register Name	Address	Bit	Name	Function	Default Value
config25	0x19	15:8	pll_m(7:0)	M portion of the M/N divider of the PLL. If <i>pll_m<7></i> = 0, the M divider value has the range of <i>pll_m<6:0></i> , spanning from 4 to 127. (i.e., 0, 1, 2, and 3 are not valid.) If <i>pll_m<7></i> = 1, the M divider value has the range of $2 \times \text{pll_m<6:0>}$, spanning from 8 to 254. (i.e., 0, 2, 4, and 6 are not valid. The M divider has even values only.)	0x04
		7:4	pll_n(3:0)	N portion of the M/N divider of the PLL. 0000: 1 0001: 2 0010: 3 0011: 4 0100: 5 0101: 6 0110: 7 0111: 8 1000: 9 1001: 10 1010: 11 1011: 12 1100: 13 1101: 14 1110: 15 1111: 16	0100
		3:2	pll_vcoitune(1:0)	PLL VCO bias tuning bits. Set to 01 for normal PLL operation	00
		1:0	Reserved	Reserved for factory use	00

Register name: config26 – Address: 0x1A, Default: 0x0020

Register Name	Address	Bit	Name	Function	Default Value
config26	0x1A	15:10	pll_vco(5:0)	VCO frequency coarse-tuning bits.	0000 00
		9	Reserved	Reserved for factory use	0
		8	Reserved	Reserved for factory use	0
		7	bias_sleep	When set, the bias amplifier is put into sleep mode.	0
		6	tsense_sleep	Turns off the temperature sensor when asserted.	0
		5	pll_sleep	When set, the PLL is put into sleep mode.	1
		4	clkrecv_sleep	When asserted, the clock input receiver is put into sleep mode. This affects the OSTR receiver as well.	0
		3	sleepA	When set, the DACA is put into sleep mode.	0
		2	sleepB	When set, the DACB is put into sleep mode.	0
		1	sleepC	When set, the DACC is put into sleep mode.	0
0	sleepD	When set, the DACD is put into sleep mode.	0		

Register name: config27 – Address: 0x1B, Default: 0x0000

Register Name	Address	Bit	Name	Function	Default Value		
config27	0x1B	15	extref_ena	Allows the device to use an external reference or the internal reference. 0: Internal reference 1: External reference	0		
		14	Reserved	Reserved for factory use	0		
		13	Reserved	Reserved for factory use	0		
		12	Reserved	Reserved for factory use	0		
		11	fuse_sleep	Put the fuses to sleep when set high. Note: Default value is 0. Must be set to 1 for proper operation	0		
		10	Reserved	Reserved for factory use	0		
		9	Reserved	Reserved for factory use	0		
		8	Reserved	Reserved for factory use	0		
		7	Reserved	Reserved for factory use	0		
		6	Reserved	Reserved for factory use	0		
		5:0	atest	AATEST mode allows the user to check for the internal die voltages to ensure the supply voltages are within range. When the ATEST mode is programmed, the internal die voltages can be measured at the TXENA pin. The TXENA pin (N9) must be floating without any pullup or pulldown resistors. In ATEST mode, the TXENA and <i>sif_txenable</i> logic is bypassed, and the output is active at all times.	000000		
					Config27, bit<5:0>	Description	Expected Nominal Voltage
					00 1110	DACA AVSS	0 V
					00 1111	DACA DVDD	1.35 V
					01 0000	DACA AVDD	3.3 V
					01 0110	DACB AVSS	0 V
					01 0111	DACB DVDD	1.35 V
			01 1000	DACB AVDD	3.3 V		
			01 1110	DACC AVSS	0 V		
			01 1111	DACC DVDD	1.35 V		
			10 0000	DACC AVDD	3.3 V		
			10 0110	DACD AVSS	0 V		
			10 0111	DACD DVDD	1.35 V		
			10 1000	DACD AVDD	3.3 V		
			11 0000	1.3VDIG	1.3 V		
			00 0101	1.35VCLK	1.35 V		

ADVANCE INFORMATION

Register name: config28 – Address: 0x1C, Default: 0x0000

Register Name	Address	Bit	Name	Function	Default Value
config28	0x1C	15:8	Reserved	Reserved for factory use	0x00
		7:0	Reserved	Reserved for factory use	0x00

Register name: config29 – Address: 0x1D, Default: 0x0000

Register Name	Address	Bit	Name	Function	Default Value
config29	0x1D	15:8	Reserved	Reserved for factory use	0x00
		7:0	Reserved	Reserved for factory use	0x00

Register name: config30 – Address: 0x1E, Default: 0x1111

Register Name	Address	Bit	Name	Function	Default Value
config30	0x1E	15:12	syncsel_qmoffsetAB(3:0)	Selects the syncing source(s) of the AB data path double-buffered QMC offset registers. A 1 in the bit enables the signal as a sync source. More than one sync source is permitted. Bit 15: <i>sif_sync</i> (via <i>config31</i>) Bit 14: SYNC Bit 13: OSTR Bit 12: Auto-sync from register write	0001
		11:8	syncsel_qmoffsetCD(3:0)	Selects the syncing source(s) of the CD data path double-buffered QMC offset registers. A 1 in the bit enables the signal as a sync source. More than one sync source is permitted. Bit 11: <i>sif_sync</i> (via <i>config31</i>) Bit 10: SYNC Bit 9: OSTR Bit 8: Auto-sync from register write	0001
		7:4	syncsel_qmcorrAB(3:0)	Selects the syncing source(s) of the AB data path double buffered QMC offset registers. A 1 in the bit enables the signal as a sync source. More than one sync source is permitted. Bit 7: <i>sif_sync</i> (via <i>config31</i>) Bit 6: SYNC Bit 5: OSTR Bit 4: Auto-sync from register write	0001
		3:0	syncsel_qmcorrCD(3:0)	Selects the syncing source(s) of the CD data path double buffered QMC offset registers. A 1 in the bit enables the signal as a sync source. More than one sync source is permitted. Bit 3: <i>sif_sync</i> (via <i>config31</i>) Bit 2: SYNC Bit 1: OSTR Bit 0: Auto-sync from register write	0001

ADVANCE INFORMATION

Register name: config31 – Address: 0x1F, Default: 0x1140

Register Name	Address	Bit	Name	Function	Default Value
config31	0x1F	15:12	syncsel_mixerAB(3:0)	Selects the syncing source(s) of the AB data path double buffered mixer registers. A 1 in the bit enables the signal as a sync source. More than one sync source is permitted. Bit 15: <i>sif_sync</i> (via <i>config31</i>) Bit 14: SYNC Bit 13: OSTR Bit 12: Auto-sync from register write	0001
		11:8	syncsel_mixerCD(3:0)	Selects the syncing source(s) of the CD data path double buffered mixer registers. A 1 in the bit enables the signal as a sync source. More than one sync source is permitted. Bit 11: <i>sif_sync</i> (via <i>config31</i>) Bit 10: SYNC Bit 9: OSTR Bit 8: Auto-sync from register write	0001
		7:4	syncsel_nco(3:0)	Selects the syncing source(s) of the two NCO accumulators. A 1 in the bit enables the signal as a sync source. More than one sync source is permitted. Bit 7: <i>sif_sync</i> (via <i>config31</i>) Bit 6: SYNC Bit 5: OSTR Bit 4: ISTR	0100
		3:2	syncsel_fifo_input(1:0)	Selects either the ISTR or SYNC LVDS signal to be routed to the internal FIFO_ISTR path if <i>syncsel_fifo_in(3:0)</i> is set to be ISTR (i.e. <i>syncsel_fifo_in(3:0)</i> = 0010). In conjunction with <i>config1</i> register bit(8), this allows flexibility of external LVDS signal routing to the internal FIFO. The <i>syncsel_fifo_input(1:0)</i> can only have one bit active at a time. 00: external LVDS ISTR signal to internal FIFO_ISTR path 01: external LVDS SYNC signal to internal FIFO_ISTR path 10: external LVDS ISTR signal to internal FIFO_ISTR path 11: external LVDS SYNC signal to internal FIFO_ISTR path	00
		1	<i>sif_sync</i>	SIF created sync signal. Set to 1 to cause a sync and then clear to 0 to remove it.	0
		0	Reserved	Reserved for factory use	0

Register name: config32 – Address: 0x20, Default: 0x2400

Register Name	Address	Bit	Name	Function	Default Value
config32	0x20	15:12	syncsel_fifo_in(3:0)	Selects the syncing source(s) of the FIFO input side. A 1 in the bit enables the signal as a sync source. More than one sync source is permitted. Bit 15: <i>sif_sync</i> (via <i>config31</i>) Bit 14: Always zero Bit 13: ISTR Bit 12: SYNC	0010
		11:8	syncsel_fifo_out(3:0)	Selects the syncing source(s) of the FIFO output side. A 1 in the bit enables the signal as a sync source. More than one sync source is permitted. <i>clkdiv_sync_ena</i> must be set to 1 for the FIFO output pointer sync to occur. Bit 11: <i>sif_sync</i> (via <i>config31</i>) Bit 10: OSTR – Dual-sync-sources mode Bit 9: ISTR – Single-sync-source mode Bit 8: SYNC – Single-sync-source mode	0100
		7:1	Reserved	Reserved for factory use	0000
		0	clkdiv_sync_sel	Selects the signal source for clock divider synchronization	0
			clkdiv_sync_sel	Sync Source	
			0	OSTR	
			1	ISTR, SYNC, or SIF SYNC, based on <i>syncsel_fifo_in</i> source selection (<i>config32</i> , bits<15:12>)	

Register name: config33 – Address: 0x21, Default: 0x0000

Register Name	Address	Bit	Name	Function	Default Value
config33	0x21	15:0	Reserved	Reserved for factory use	0x0000

ADVANCE INFORMATION

Register name: config34 – Address: 0x22, Default: 0x1B1B

Register Name	Address	Bit	Name	Function	Default Value
config34	0x22	15:14	pathA_in_sel(1:0)	Selects the word used for the A channel path	00
		13:12	pathB_in_sel(1:0)	Selects the word used for the B channel path	01
		11:10	pathC_in_sel(1:0)	Selects the word used for the C channel path	10
		9:8	pathD_in_sel(1:0)	Selects the word used for the D channel path	11
		7:6	DACA_out_sel(1:0)	Selects the word used for the DACA output	00
		5:4	DACB_out_sel(1:0)	Selects the word used for the DACB output	01
		3:2	DACC_out_sel(1:0)	Selects the word used for the DACC output	10
		1:0	DACD_out_sel(1:0)	Selects the word used for the DACD output	11

Register name: config35 – Address: 0x23, Default: 0xFFFF

Register Name	Address	Bit	Name	Function	Default Value	
config35	0x23	15:0	sleep_cntl(15:0)	Controls the routing of the CMOS SLEEP signal (pin N11) to different blocks. When a bit in this register is set, the SLEEP signal is sent to the corresponding block. The block is only disabled when the SLEEP is logic HIGH and the corresponding bit is set to 1. These bits do not override the SIF bits in <i>config26</i> that control the same sleep function.	0xFFFF	
				sleep_cntl(bit)		Function
				15		DACA sleep
				14		DACB sleep
				13		DACC sleep
				12		DACD sleep
				11		Clock receiver sleep
				10		PLL sleep
				9		LVDS data sleep
				8		LVDS control sleep
				7		Temp sensor sleep
				6		Reserved
				5		Bias amplifier sleep
	All others	Not used				

Register name: config36 – Address: 0x24, Default: 0x0000

Register Name	Address	Bit	Name	Function	Default Value
config36	0x24	15:13	datadly(2:0)	Controls the delay of the data inputs through the LVDS receivers. Each LSB adds approximately 40 ps 0: Minimum	000
		12:10	clkdly(2:0)	Controls the delay of the data clock through the LVDS receivers. Each LSB adds approximately 40 ps 0: Minimum	000
		9:0	Reserved	Reserved for factory use	0x000

Register name: config37 – Address: 0x25, Default: 0x7A7A

Register Name	Address	Bit	Name	Function	Default Value
config37	0x25	15:0	iotest_pattern0	Dataword0 in the IO test pattern. It is used with the seven other words to test the input data. At the start of the IO test pattern, this word should be aligned with rising edge of ISTR or SYNC signal to indicate sample 0.	0x7A7A

Register name: config38 – Address: 0x26, Default: 0xB6B6

Register Name	Address	Bit	Name	Function	Default Value
config38	0x26	15:0	iotest_pattern1	Dataword1 in the IO test pattern. It is used with the seven other words to test the input data.	0xB6B6

Register name: config39 – Address: 0x27, Default: 0xEAEA

Register Name	Address	Bit	Name	Function	Default Value
config39	0x27	15:0	iotest_pattern2	Dataword2 in the IO test pattern. It is used with the seven other words to test the input data.	0xEAEA

Register name: config40 – Address: 0x28, Default: 0x4545

Register Name	Address	Bit	Name	Function	Default Value
config40	0x28	15:0	iotest_pattern3	Dataword3 in the IO test pattern. It is used with the seven other words to test the input data.	0x4545

Register name: config41 – Address: 0x29, Default: 0x1A1A

Register Name	Address	Bit	Name	Function	Default Value
config41	0x29	15:0	iotest_pattern4	Dataword4 in the IO test pattern. It is used with the seven other words to test the input data.	0x1A1A

Register name: config42 – Address: 0x2A, Default: 0x1616

Register Name	Address	Bit	Name	Function	Default Value
config42	0x2A	15:0	iotest_pattern5	Dataword5 in the IO test pattern. It is used with the seven other words to test the input data.	0x1616

Register name: config43 – Address: 0x2B, Default: 0xAAAA

Register Name	Address	Bit	Name	Function	Default Value
config43	0x2B	15:0	iotest_pattern6	Dataword6 in the IO test pattern. It is used with the seven other words to test the input data.	0xAAAA

Register name: config44 – Address: 0x2C, Default: 0xC6C6

Register Name	Address	Bit	Name	Function	Default Value
config44	0x2C	15:0	iotest_pattern7	Dataword7 in the IO test pattern. It is used with the seven other words to test the input data.	0xC6C6

Register name: config45 – Address: 0x2D, Default: 0x0004

Register Name	Address	Bit	Name	Function	Default Value
config45	0x2D	15	Reserved	Reserved for factory use	0
		14	ostrtodig_sel	When set, the OSTR signal is passed directly to the digital block. This is the signal that is used to clock the dividers.	0
		13	ramp_ena	When set, a ramp signal is inserted in the input data at the FIFO input.	0
		12:1	Reserved	Reserved for factory use	0000 0000 0010
		0	sifdac_ena	When set, the DAC output is set to the value in <i>sifdac(15:0)</i> in register <i>config48</i> .	0

Register name: config46 – Address: 0x2E, Default: 0x0000

Register Name	Address	Bit	Name	Function	Default Value
config46	0x2E	15:0	Reserved	Reserved for factory use	0x00

Register name: config47 – Address: 0x2F, Default: 0x0000

Register Name	Address	Bit	Name	Function	Default Value
config47	0x2F	15:0	Reserved	Reserved for factory use	0x00

Register name: config48 – Address: 0x30, Default: 0x0000

Register Name	Address	Bit	Name	Function	Default Value
config48	0x30	15:0	sifdac(15:0)	Value sent to the DACs when <i>sifdac_ena</i> is asserted. DATACLK must be running to latch this value into the DACs. The format would be based on twos in register <i>config2</i> .	0x0000

Register name: version– Address: 0x7F, Default: 0x5409 (READ ONLY)

Register Name	Address	Bit	Name	Function	Default Value
version	0x7F	15:10	Reserved	Reserved for factory use	0101 01
		9	Reserved	Reserved for factory use	0
		8:7	Reserved	Reserved for factory use	00
		6:5	Reserved	Reserved for factory use	00
		4:3	deviceid(1:0)	Returns 01 for DAC34SH84	01
		2:0	versionid(2:0)	A hardwired register that contains the version of the chip	001

DATA INTERFACE

The DAC34SH84 has a 32-bit LVDS bus that accepts quad, 16-bit data in word-wide format. The quad, 16-bit data can be input to the device using a dual-bus, 16-bit interface. The bus accepts LVDS transfer rates up to 1.5 GSPS, which corresponds to a maximum data rate of 750 MSPS per data channel. The default LVDS bus input assignment is shown in [Table 3](#).

Table 3. LVDS Bus Input Assignment

Data Paths	Pins
A and B	DAB[15..0]
C and D	DCD[15..0]

Data is sampled by the LVDS double-data-rate (DDR) clock DATACLK. Setup and hold requirements must be met for proper sampling. A and C data are captured on the rising edge of DATACLK. B and D data are captured on the falling edge of DATACLK.

For both input bus modes, a sync signal, either ISTR or SYNC, is required to sync the FIFO read and/or write pointers.

The sync signal, either ISTR or SYNC, can be either a pulse or a periodic signal where the sync period corresponds to multiples of eight samples. ISTR or SYNC is sampled by a rising edge in DATACLK. The pulse duration $t_{(ISTR_SYNC)}$ must be at least equal to one-half of the DATACLK period.

DATA FORMAT

The 16-bit data for channels A and B is interleaved in the form $A_0[15:0], B_0[15:0], A_1[15:0], B_1[15:0], A_2[15:0]...$ into the DAB[15:0]P/N LVDS inputs. Similarly, data for channels C and D is interleaved into the DCD[15:0]P/N LVDS inputs. Data into the DAC34SH84 is formatted according to the diagram shown in [Figure 51](#), where index 0 is the data LSB and index 15 is the data MSB.

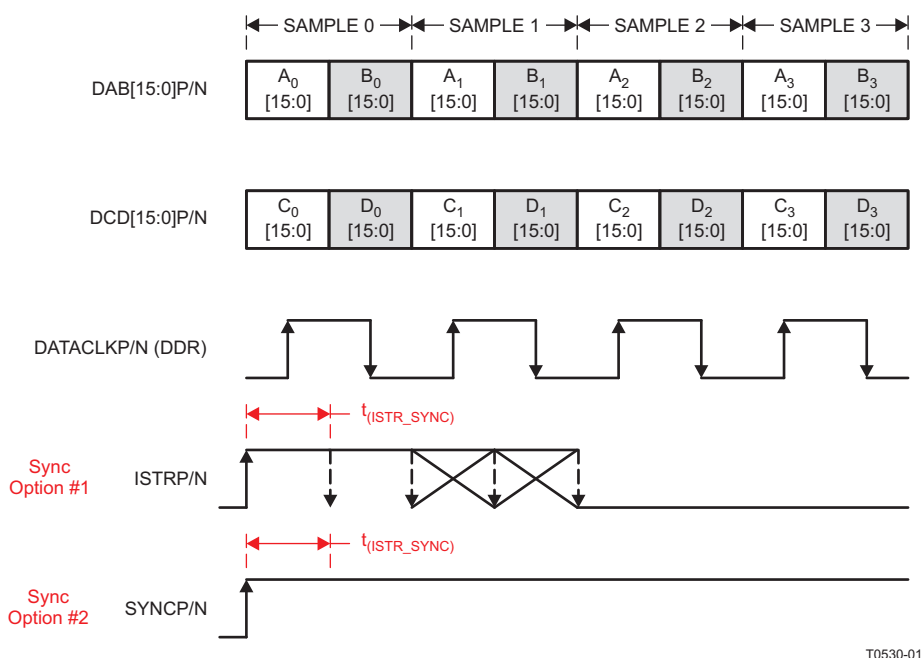


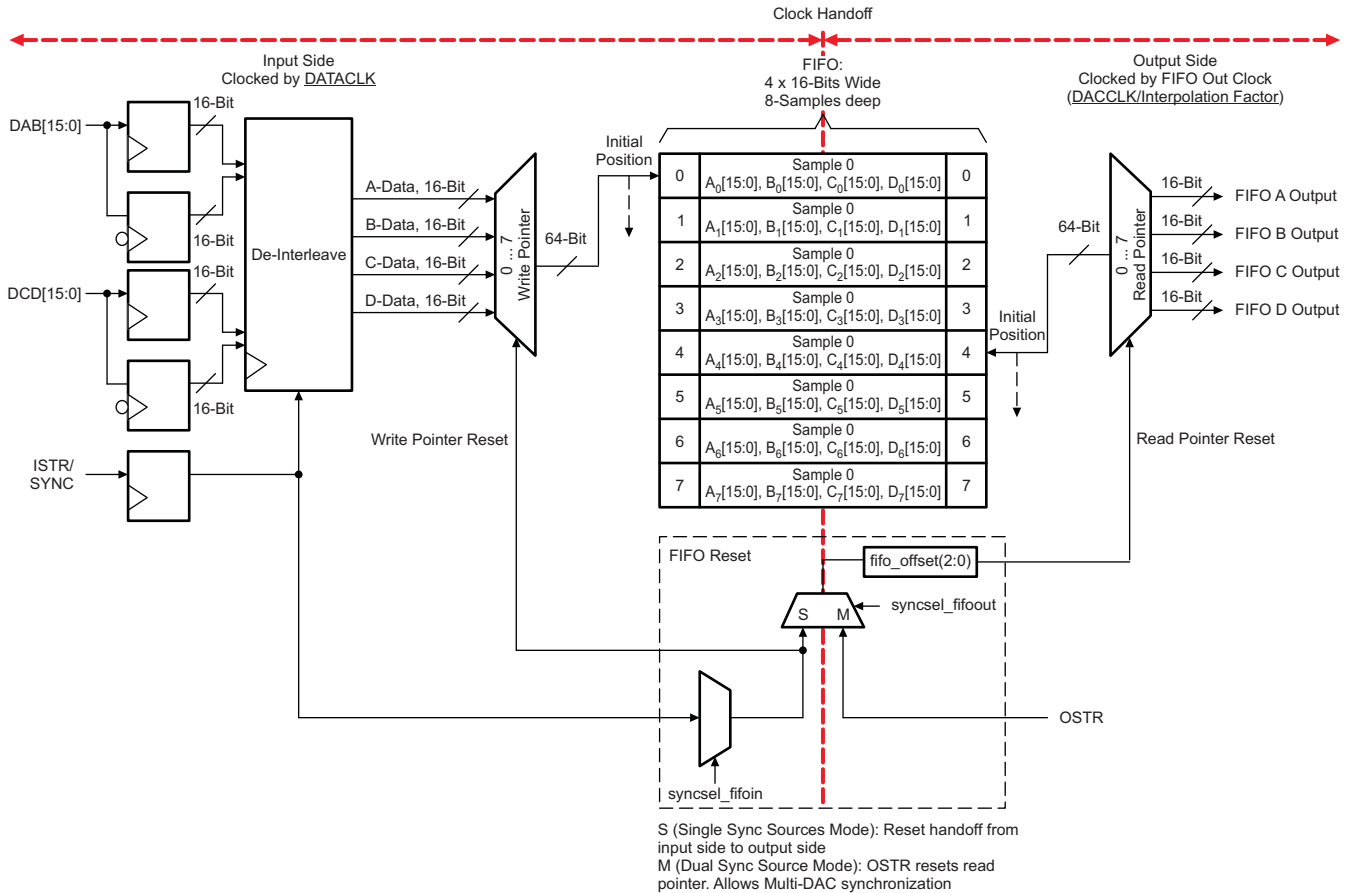
Figure 51. Data Transmission Format

The FIFO read and write pointer can also be synced by SIF SYNC as the third sync option if multi-device synchronization is not needed. In this sync mode, the `syncsel_fifoin(3:0)` and `syncsel_fifoout(3:0)` in register `config32` need to be both set to 1000 for the SIF SYNC option.

INPUT FIFO

The DAC34SH84 includes a 4-channel, 16-bit-wide and 8-sample-deep input FIFO which acts as an elastic buffer. The purpose of the FIFO is to absorb any timing variations between the input data and the internal DAC data-rate clock, such as the ones resulting from clock-to-data variations from the data source.

Figure 52 shows a simplified block diagram of the FIFO.



B0461-01

Figure 52. DAC34SH84 FIFO Block Diagram

Data is written to the device 32 bits at a time on the rising and falling edges of DATACLK. In order to form a complete 64-bit wide sample (16-bit A-data, 16-bit B-data, 16-bit C-data, and 16-bit D-data) one DATACLK period is required. Each 64-bit-wide sample is written into the FIFO at the address indicated by the write pointer. Similarly, data from the FIFO is read by the FIFO-out clock 64 bits at a time from the address indicated by the read pointer. The FIFO-out clock is generated internally from the DACCLK signal and its rate is equal to DACCLK / interpolation. Each time a FIFO write or FIFO read is done, the corresponding pointer moves to the next address.

The reset position for the FIFO read and write pointers is set by default to addresses 0 and 4 as shown in Figure 52. This offset gives optimal margin within the FIFO. The default read pointer location can be set to another value using `fifo_offset(2:0)` in register `config9` (address 4 by default). Under normal conditions, data is written to and read from the FIFO at the same rate and consequently, the write and read pointer gap remains constant. If the FIFO write and read rates are different, the corresponding pointers cycle at different speeds, which could result in pointer collision. Under this condition, the FIFO attempts to read and write data from the same address at the same time, which results in errors and thus must be avoided.

The write pointer sync source is selected by `syncsel_fifoin(3:0)` in register `config32`. In most applications either ISTR or SYNC are used to reset the write pointer. Unlike DATA, the sync signal is latched only on the rising edges of DATACLK. A rising edge on the sync signal source causes the pointer to return to its original position.

Similarly, the read pointer sync source is selected by *syncsel_fifoout(3:0)*. The write pointer sync source can be set to reset the read pointer as well. In this case, the FIFO-out clock recaptures the write pointer sync signal to reset the read pointer. This clock domain transfer (DATACLK to FIFO Out Clock) results in phase ambiguity of the sync signal. This limits the precise control of the output timing and makes full synchronization of multiple devices difficult.

To alleviate this, the device offers the alternative of resetting the FIFO read pointer independently of the write pointer by using the OSTR signal. The OSTR signal is sampled by DACCLK and must satisfy the timing requirements in the specifications table. In order to minimize the skew it is recommended to use the same clock distribution device such as Texas Instruments CDCE62005 to provide the DACCLK and OSTR signals to all the DAC34SH84 devices in the system. Swapping the polarity of the DACCLK outputs with respect to the OSTR ones establishes proper phase relationship.

The FIFO pointers reset procedure can be done periodically or only once during initialization as the pointers automatically return to the initial position when the FIFO has been filled. To reset the FIFO periodically, it is necessary to have the ISTR, SYNC, and OSTR signals to repeat at multiples of 8 FIFO samples. To disable FIFO reset, set *syncsel_fifoin(3:0)* and *syncsel_fifoout(3:0)* to 0000.

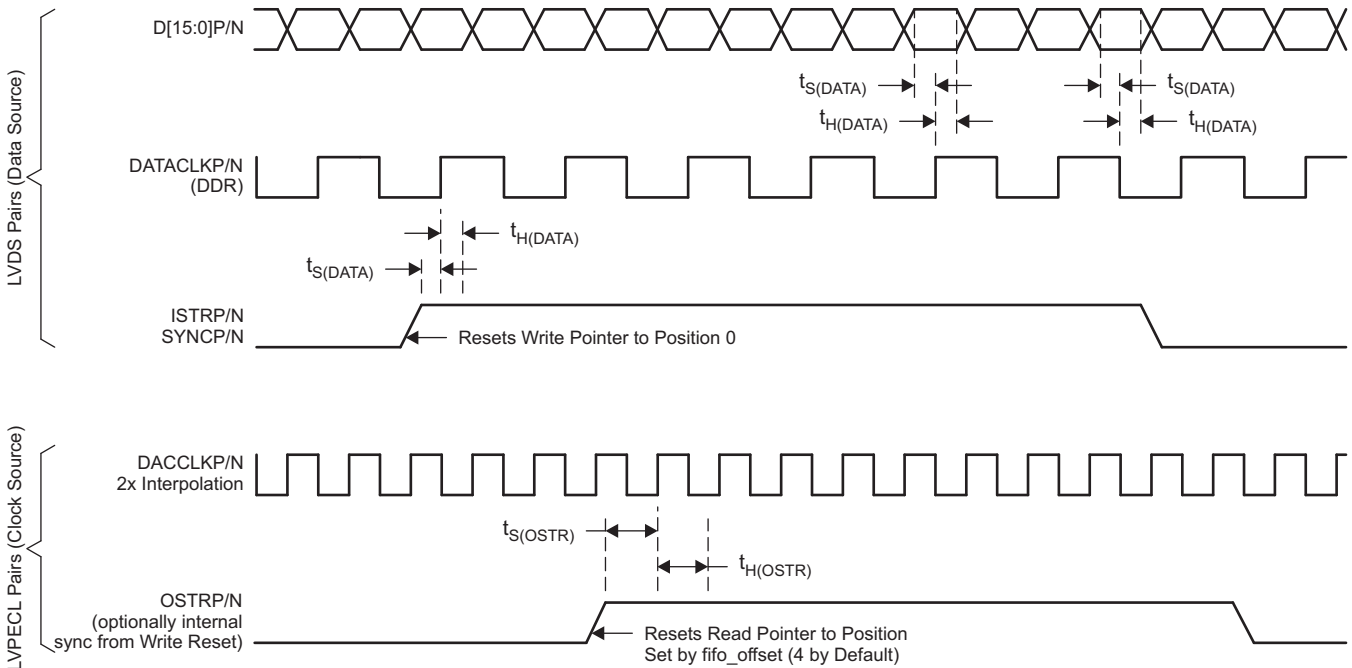
The frequency limitation for ISTR and SYNC signals are the following:

$$f_{sync} = f_{DATACLK} / (n \times 8), \text{ where } n = 1, 2, \dots$$

The frequency limitation for the OSTR signal is the following:

$$f_{OSTR} = f_{DAC} / (n \times \text{interpolation} \times 8) \text{ where } n = 1, 2, \dots$$

The frequencies above are at maximum when $n = 1$. This is when the ISTR, SYNC, or OSTR have a rising edge transition every 8 FIFO samples. The occurrence can be made less frequent by setting $n > 1$, for example, every $n \times 8$ FIFO samples.



T0531-01

Figure 53. FIFO Write and Read Descriptions

FIFO MODES OF OPERATION

The DAC34SH84 input FIFO can be completely bypassed through registers *config0* and *config32*. The register configuration for each mode is described in [Table 4](#).

Register	Control Bits
config0	fifo_ena
config32	syncsel_fifoout(3:0)

Table 4. FIFO Operation Modes

FIFO Mode	config0 and config32 FIFO Bits				
	fifo_ena	syncsel_fifoout			
		Bit 3: sif_sync	Bit 2: OSTR	Bit 1: ISTR	Bit 0: SYNC
Dual Sync Sources	1	0	1	0	0
Single Sync Source	1	0	0	1 or 0 Depends on the sync source	1 or 0 Depends on the sync source
Bypass	0	X	X	X	X

DUAL-SYNC-SOURCES MODE

This is the recommended mode of operation for those applications that require precise control of the output timing. In Dual Sync Sources mode, the FIFO write and read pointers are reset independently. The FIFO write pointer is reset using the LVDS ISTR or SYNC signal, and the FIFO read pointer is reset using the LVPECL OSTR signal. This allows LVPECL OSTR signal to control the phase of the output for either a single chip or multiple chips. Multiple devices can be fully synchronized in this mode.

SINGLE-SYNC-SOURCE MODE

In single-sync-source mode, the FIFO write and read pointers are reset from the same source, either LVDS ISTR or LVDS SYNC signal. This mode has a possibility of up to 2 DAC clocks offset between the multiple DAC outputs. Applications requiring exact output timing control need dual-sync-sources mode instead of single-sync-source mode. A single rising edge for FIFO and clock divider sync is recommended. Periodic sync signal is not recommended due to the non-deterministic latency of the sync signal through the clock domain transfer.

In this mode, there is a chance for FIFO pointers 2 away alarm (or possibly 1 away alarm) to occur at initial setup or syncing. This is the result of single-sync-source mode having 0 to 3 address location slip, which is caused by the asynchronous handoff of the sync signal occurring between the DATACLK zone and the DACCLK zone. The asynchronous relationship between the clock domains means there could be a slip (from nominal) in the READ and WRITE pointers at initial syncing. For example, with the default programming of FIFO offset of 4, the actual FIFO offset may be 3, 2, or in some instances, 1. Please note that in this mode, the nominal address location slip is 0 with the possibility getting less for each increase in slip amount. Also, the slip does not continue to occur as the device functions, but the READ/WRITE pointers may not be at optimal settings. If an alarm occurs:

1. Adjust the FIFO offset accordingly and resynchronize the FIFO, data formatter, etc., such that there are no alarms reported or at least only the 2-away alarm is reported.
2. The FIFO collision alarm is a warning of the system, because the read and write processes occur at the same pointer. However, the FIFO 1-away and 2-away alarms are informational for the system designer. The important thing for these two alarms is that the alarm should not get closer to collision during normal operation. If the 1-away alarm or collision alarm starts to occur, it is a warning to check for system errors. The system should have an interrupt or algorithm to fix the error and resynchronize the alarm appropriately.

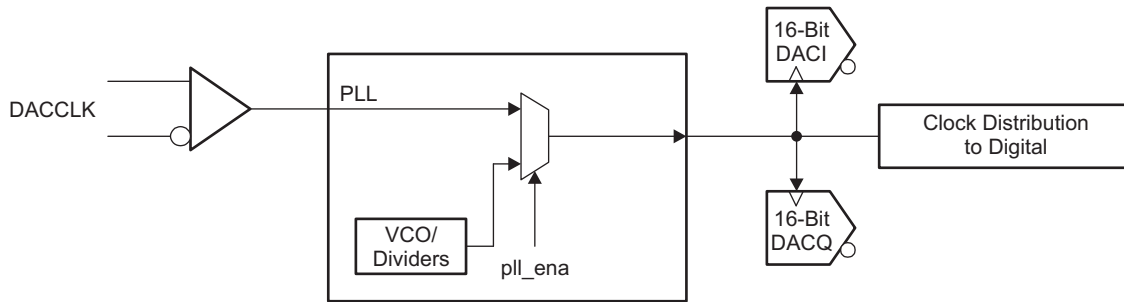
BYPASS MODE

In FIFO bypass mode, the FIFO block is not used. As a result, the input data is handed off from the DATACLK to the DACCLK domain without any compensation. In this mode, the relationship between DATACLK and DACCLK is critical and used as a synchronizing mechanism for the internal logic. Due to this constraint, this mode is **not recommended**. In bypass mode, the pointers have no effect on the data path or handoff.

CLOCKING MODES

The DAC34SH84 has a dual-clock setup in which a DAC clock signal is used to clock the DAC cores and internal digital logic, and a separate DATA clock is used to clock the input LVDS receivers and FIFO input. The DAC34SH84 DAC clock signal can be sourced directly or generated through an on-chip low-jitter phase-locked loop (PLL).

In those applications requiring extremely low noise it is recommended to bypass the PLL and source the DAC clock directly from a high-quality external clock to the DACCLK input. In most applications, system clocking can be simplified by using the on-chip PLL to generate the DAC core clock while still satisfying performance requirements. In this case, the DACCLK pins are used as the reference frequency input to the PLL.



B0452-01

Figure 54. Top-Level Clock Diagram

PLL BYPASS MODE

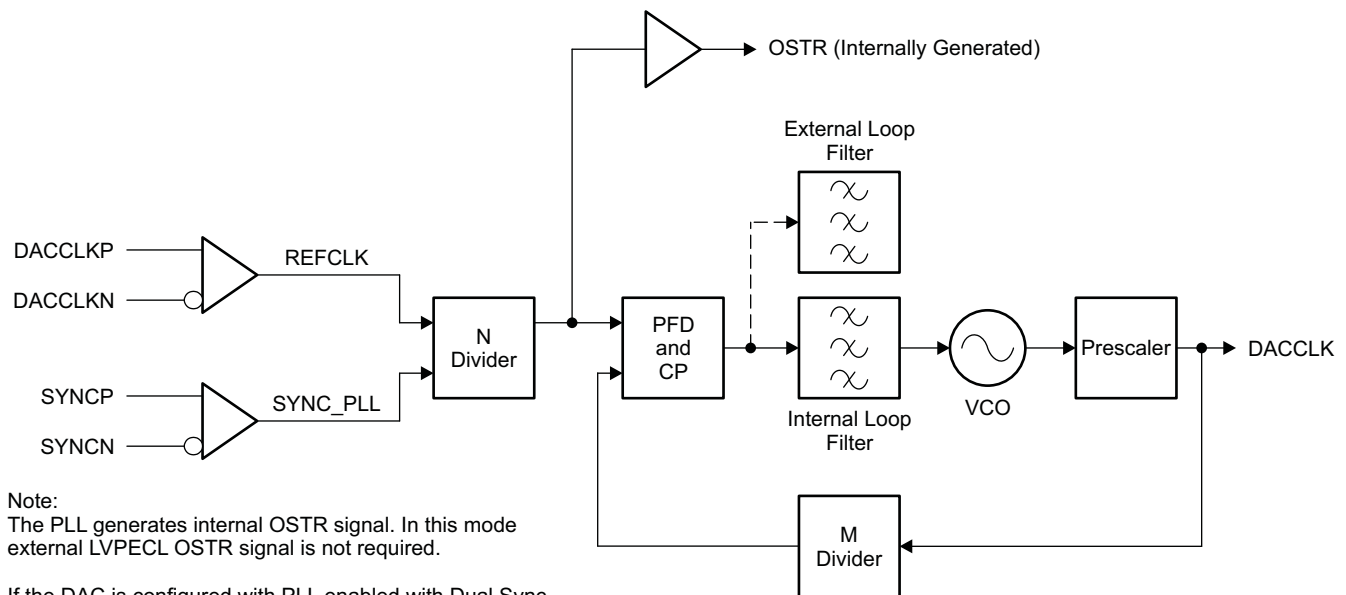
In PLL bypass mode, a very high-quality clock is sourced to the DACCLK inputs. This clock is used to directly source the DAC34SH84 DAC sample-rate clock. This mode gives the device best performance and is recommended for extremely demanding applications.

The bypass mode is selected by setting the following:

1. *pll_ena* bit in register *config24* to 0 to bypass the PLL circuitry.
2. *pll_sleep* bit in register *config26* to 1 to put the PLL and VCO into sleep mode.

PLL MODE

In this mode, the clock at the DACCLKP/N input functions as a reference clock source to the on-chip PLL. The on-chip PLL then multiplies this reference clock to supply a higher-frequency DAC sample-rate clock. Figure 55 shows the block diagram of the PLL circuit.



Note:
The PLL generates internal OSTR signal. In this mode external LVPECL OSTR signal is not required.

If the DAC is configured with PLL enabled with Dual Sync Sources mode, then the PFD frequency has to be the pre-defined OSTR frequency.

B0453-01

Figure 55. PLL Block Diagram

ADVANCE INFORMATION

The DAC34SH84 PLL mode is selected by setting the following:

1. *pll_ena* bit in register *config24* to 1 to route to the PLL clock path.
2. *pll_sleep* bit in register *config26* to 0 to enable the PLL and VCO.

The output frequency of the VCO is designed to be in the range from 2.7 GHz to 3.3 GHz. The prescaler value, *pll_p(2:0)* in register *config24*, should be chosen such that the product of the prescaler value and DAC sample rate clock is within the VCO range. To maintain optimal PLL loop, the coarse-tuning bits, *pll_vco(5:0)* in register *config26*, can adjust the center frequency of the VCO toward the product of the prescaler value and DAC sample-rate clock. Figure 56 shows a typical relationship between the coarse-tuning bits and VCO center frequency.

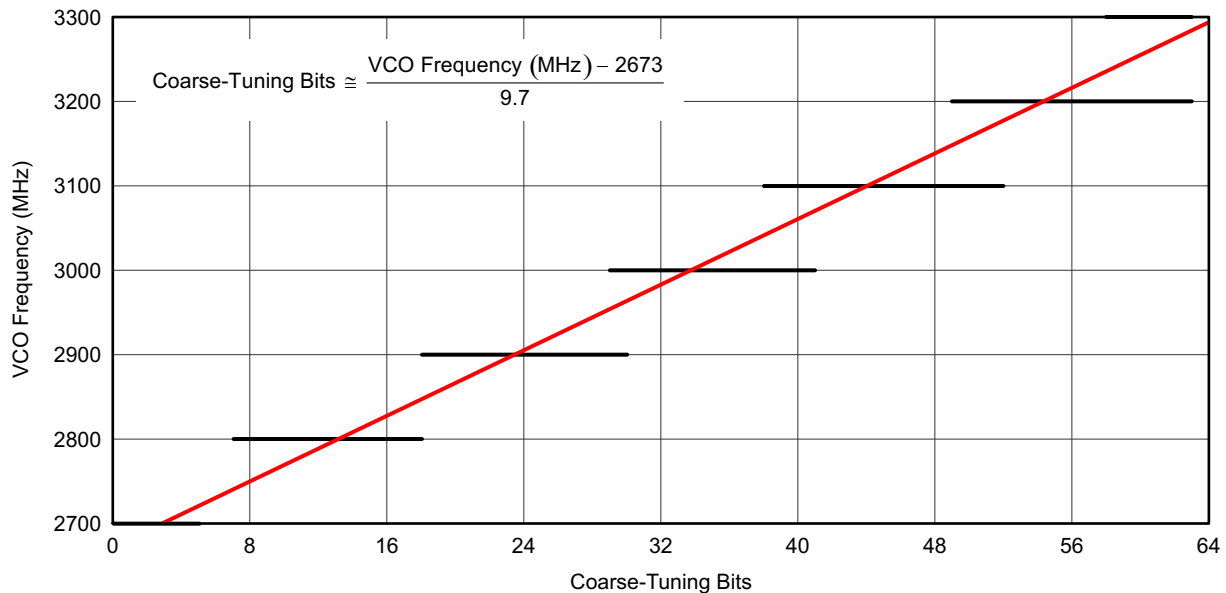


Figure 56. Typical PLL/VCO Lock Range vs Coarse-Tuning Bits

Common wireless infrastructure frequencies (614.4MHz, 737.28MHz, 983.04 MHz, and so forth) are generated from this VCO frequency in conjunction with the prescaler setting as shown in Table 5.

Table 5. VCO Operation

VCO Frequency (MHz)	Pre-Scale Divider	Desired DACCLK (MHz)	pll_p(2:0)
2949.12	6	491.52	110
3072	5	614.4	101
2949.12	4	737.28	100
2949.12	3	983.04	011
2949.12	2	1474.56	010

The M divider is used to determine the phase-frequency-detector (PFD) and charge-pump (CP) frequency.

Table 6. PFD and CP Operation

DACCLK Frequency (MHz)	M Divider	PFD Update Rate (MHz)	pll_m(7:0)
491.52	4	122.88	0000 0100
491.52	8	61.44	0000 1000
491.52	16	30.72	0001 0000
491.52	32	15.36	0010 0000

The N divider in the loop allows the PFD to operate at a lower frequency than the reference clock. Both M and N dividers can keep the PFD frequency below 155 MHz for peak operation.

The overall divide ratio inside the loop is the product of the pre-scale and M dividers ($P \times M$), and the following guidelines should be followed:

- The overall divide ratio range is from 24 to 480.
- When the overall divide ratio is less than 120, the internal loop filter can assure a stable loop.
- When the overall divide ratio is greater than 120, an external loop filter or double charge pump is required to ensure loop stability.

The single- and double-charge-pump current options are selected by setting *pll_cp* in register *config24* to 01 and 11, respectively. When using the double-charge-pump setting, an external loop filter is not required. If an external loop filter is required, the following filter should be connected to the LPF pin (A1):

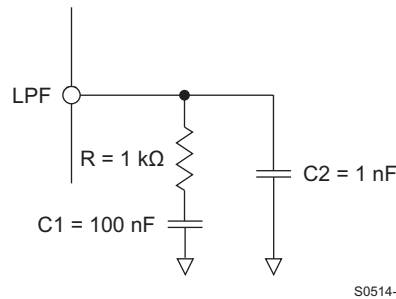


Figure 57. Recommended External Loop Filter

The PLL generates an internal OSTR signal and does not require the external LVPECL OSTR signal. The OSTR signal is buffered from the N-divider output in the PLL block, and the frequency of the signal is the same as the PFD frequency. Therefore, using the PLL with dual-sync-sources mode would require the PFD frequency to be the pre-defined OSTR frequency. This allows the FIFO to be synced correctly by the internal OSTR.

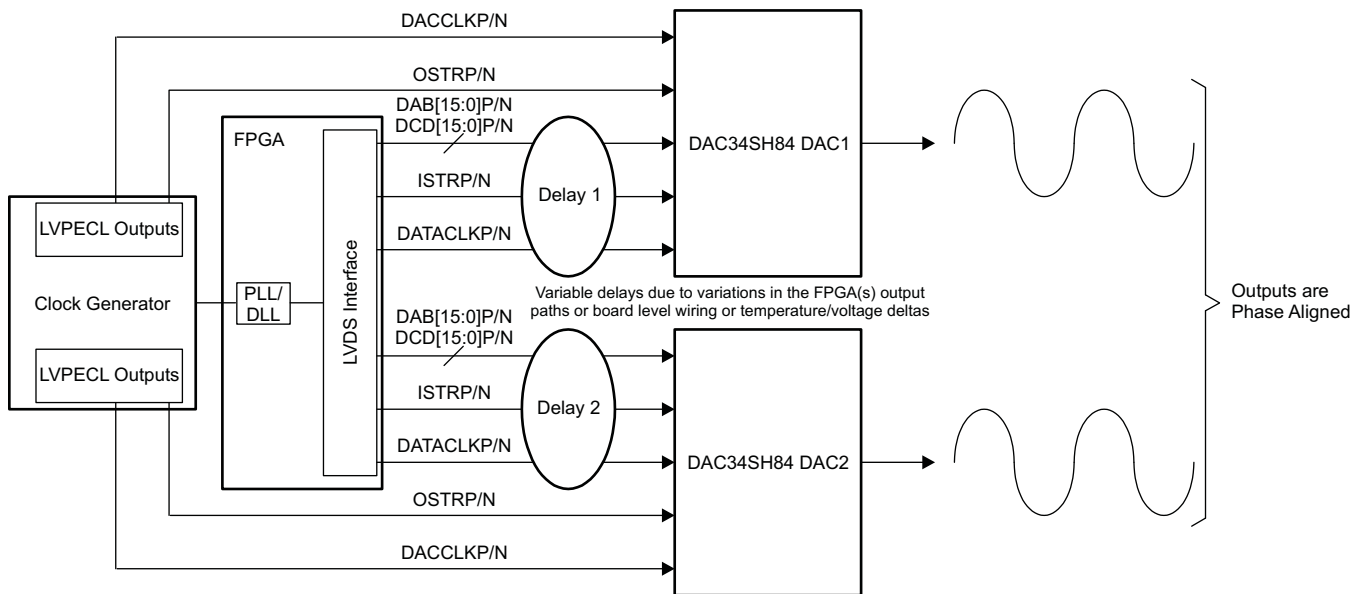
MULTI-DEVICE SYNCHRONIZATION

In various applications, such as multi antenna systems where the various transmit channels information is correlated, it is required that multiple DAC devices are completely synchronized such that their outputs are phase aligned. The DAC34SH84 architecture supports this mode of operation.

MULTI-DEVICE SYNCHRONIZATION: PLL BYPASSED WITH DUAL SYNC SOURCES MODE

For single- or multi-device synchronization it is important that delay differences in the data are absorbed by the device so that latency through the device remains the same. Furthermore, to ensure that the outputs from each DAC are phase aligned it is necessary that data is read from the FIFO of each device simultaneously. In the DAC34SH84 this is accomplished by operating the multiple devices in Dual Sync Sources mode. In this mode the additional OSTR signal is required by each DAC34SH84 to be synchronized.

Data into the device is input as LVDS signals from one or multiple baseband ASICs or FPGAs. Data into multiple DAC devices can experience different delays due to variations in the digital source output paths or board level wiring. These different delays can be effectively absorbed by the DAC34SH84 FIFO so that all outputs are phase aligned correctly.



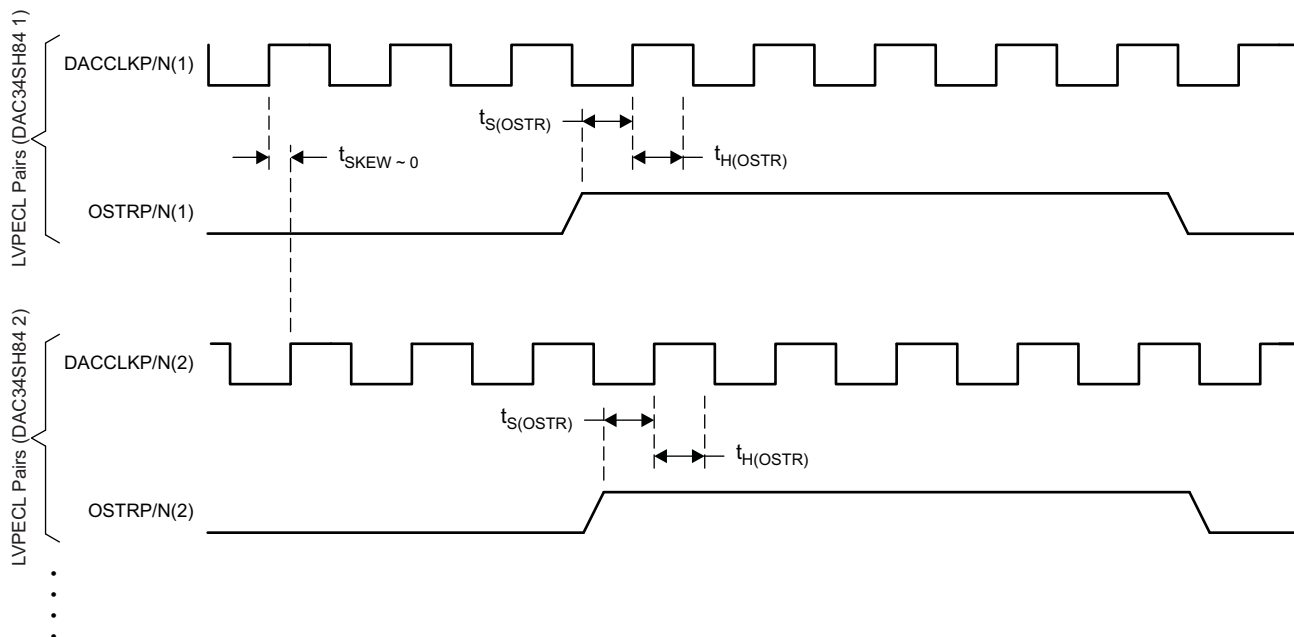
B0454-04

Figure 58. Synchronization System in Dual Sync Sources Mode With PLL Bypassed

For correct operation both OSTR and DACCLK must be generated from the same clock domain. The OSTR signal is sampled by DACCLK and must satisfy the timing requirements in the specifications table. If the clock generator does not have the ability to delay the DACCLK to meet the OSTR timing requirement, the polarity of the DACCLK outputs can be swapped with respect to the OSTR ones to create 180 degree phase delay of the DACCLK. This may help establish proper setup and hold time requirement of the OSTR signal.

Careful board layout planning must be done to ensure that the DACCLK and OSTR signals are distributed from device to device with the lowest skew possible as this will affect the synchronization process. In order to minimize the skew across devices it is recommended to use the same clock distribution device to provide the DACCLK and OSTR signals to all the DAC devices in the system.

ADVANCE INFORMATION



T0526-04

Figure 59. Timing Diagram for LVPECL Synchronization Signals

The following steps are required to ensure the devices are fully synchronized. The procedure assumes all the DAC34SH84 devices have a DACCLK and OSTR signal and must be carried out on each device.

1. Start-up the device as described in the power-up sequence. Set the DAC34SH84 in Dual Sync Sources mode and select OSTR as the clock divider sync source (*clkdiv_sync_sel* in register *config32*).
2. Sync the clock divider and FIFO pointers.
3. Verify there are no FIFO alarms either through register *config5* or through the ALARM pin.
4. Disable clock divider sync by setting *clkdiv_sync_ena* to 0 in register *config0*.

After these steps all the DAC34SH84 outputs will be synchronized.

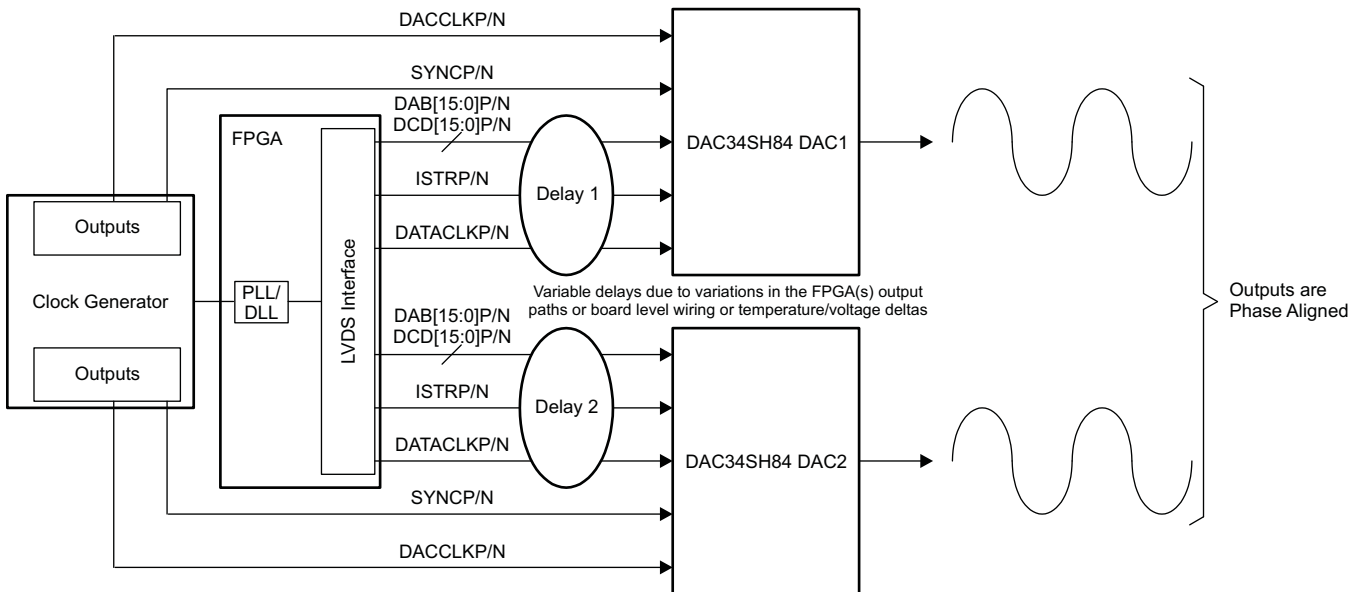
MULTI-DEVICE SYNCHRONIZATION: PLL ENABLED WITH DUAL SYNC SOURCES MODE

The DAC34SH84 allows exact phase alignment between multiple devices even when operating with the internal PLL clock multiplier. In PLL clock mode, the PLL generates the DAC clock and an internal OSTR signal from the reference clock applied to the DACCLK inputs so there is no need to supply an additional LVPECL OSTR signal.

For this method to operate properly the SYNC signal should be set to reset the PLL N dividers to a known state by setting *pll_ndivsync_ena* in register *config24* to 1. The SYNC signal resets the PLL N dividers with a rising edge, and the timing relationship $t_{s(SYNC_PLL)}$ and $t_{h(SYNC_PLL)}$ are relative to the reference clock presented on the DACCLK pin.

Both SYNC and DACCLK can be set as low frequency signals to greatly simplifying trace routing (SYNC can be just a pulse as a single rising edge is required, if using a periodic signal it is recommended to clear the *pll_ndivsync_ena* bit after resetting the PLL dividers). Besides the $t_{s(SYNC_PLL)}$ and $t_{h(SYNC_PLL)}$ requirement between SYNC and DACCLK, there is no additional required timing relationship between the SYNC and ISTR signals or between DACCLK and DATACLK. The only restriction as in the PLL disabled case is that the DACCLK and SYNC signals are distributed from device to device with the lowest skew possible.

ADVANCE INFORMATION



B0455-04

Figure 60. Synchronization System in Dual Sync Sources Mode With PLL Enabled

The following steps are required to ensure the devices are fully synchronized. The procedure assumes all the DAC34SH84 devices have a DACCLK and OSTR signal and must be carried out on each device.

1. Start up the device as described in the power-up sequence. Set the DAC34SH84 in Dual Sync Sources mode and enable SYNC to reset the PLL dividers (set *pll_ndivsync_ena* in register *config24* to 1).
2. Reset the PLL dividers with a rising edge on SYNC.
3. Disable PLL dividers resetting.
4. Sync the clock divider and FIFO pointers.

5. Verify there are no FIFO alarms either through register *config5* or through the ALARM pin.
6. Disable clock divider sync by setting *clkdiv_sync_ena* to 0 in register *config0*.

After these steps all the DAC34SH84 outputs will be synchronized.

MULTI-DEVICE OPERATION: SINGLE SYNC SOURCE MODE

In Single Sync Source mode, the FIFO write and read pointers are reset from the same sync source, either ISTRP or SYNC. Although the FIFO in this mode can still absorb the data delay differences due to variations in the digital source output paths or board level wiring it is impossible to guarantee data will be read from the FIFO of different devices simultaneously thus preventing exact phase alignment.

In Single Sync Source mode the FIFO read pointer reset is handoff between the two clock domains (DATACLK and FIFO OUT CLOCK) by simply re-sampling the write pointer reset. Since the two clocks are asynchronous there is a small but distinct possibility of a meta-stability during the pointer handoff. This meta-stability can cause the outputs of the multiple devices to slip by up to 2 DAC clock cycles.

When the PLL is enabled with Single Sync Source mode, the FIFO read pointer is not synchronized by the OSTR signal. Therefore, there is no restriction on the PLL PFD frequency as described in the previous section.

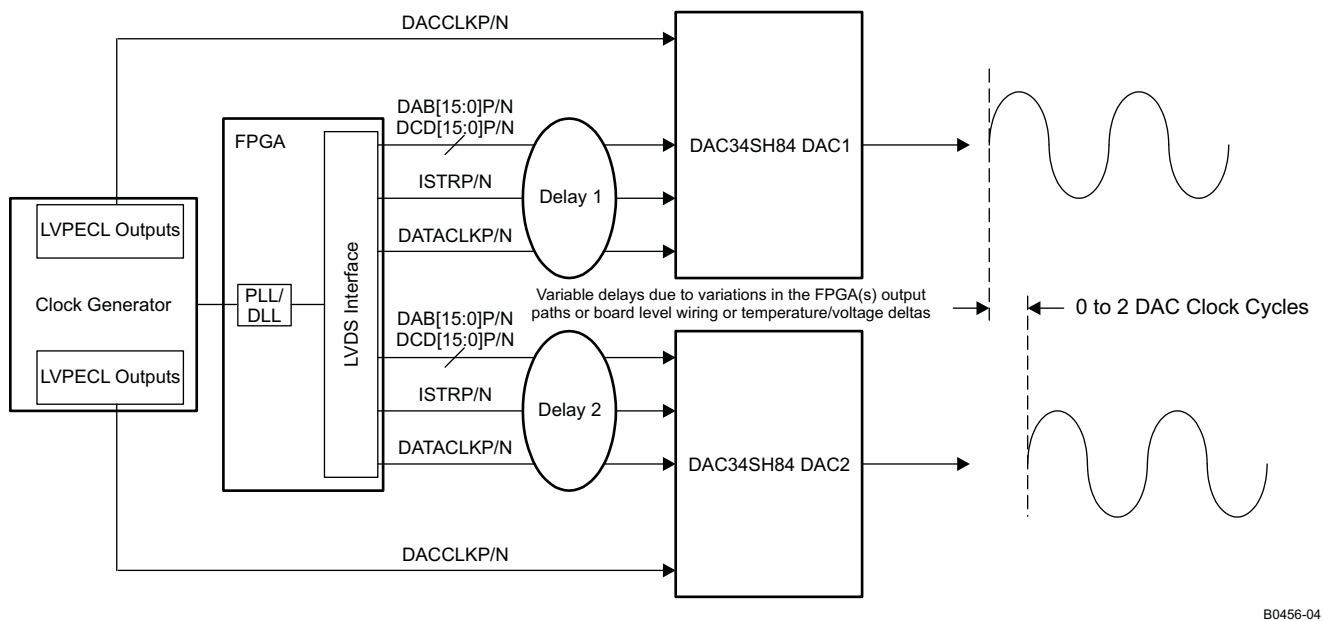


Figure 61. Multi-Device Operation in Single Sync Source Mode

FIR FILTERS

Figure 62 through Figure 65 show the magnitude spectrum response for the FIR0, FIR1, FIR2 and FIR3 interpolating filters where f_{IN} is the input data rate to the FIR filter. Figure 66 to Figure 69 show the composite filter response for 2x, 4x, 8x and 16x interpolation. The transition band for all interpolation settings is from 0.4 to $0.6 \times f_{DATA}$ (the input data rate to the device) with $< 0.001\text{dB}$ of pass-band ripple and $> 90\text{ dB}$ stop-band attenuation.

The DAC34SH84 also has a 9-tap inverse sinc filter (FIR4) that runs at the DAC update rate (f_{DAC}) that can be used to flatten the frequency response of the sample-and-hold output. The DAC sample-and-hold output sets the output current and holds it constant for one DAC clock cycle until the next sample, resulting in the well-known $\sin(x) / x$ or $\text{sinc}(x)$ frequency response (Figure 70, red line). The inverse sinc filter response (Figure 70, blue line) has the opposite frequency response from 0 to $0.4 \times f_{DAC}$, resulting in the combined response (Figure 70, green line). Between 0 to $0.4 \times f_{DAC}$, the inverse sinc filter compensates the sample-and-hold roll-off with less than 0.03 dB error.

B0456-04

The inverse sinc filter has a gain > 1 at all frequencies. Therefore, the signal input to FIR4 must be reduced from full scale to prevent saturation in the filter. The amount of back-off required depends on the signal frequency, and is set such that at the signal frequencies the combination of the input signal and filter response is less than 1 (0 dB). For example, if the signal input to FIR4 is at $0.25 \times f_{DAC}$, the response of FIR4 is 0.9 dB, and the signal must be backed off from full scale by 0.9 dB to avoid saturation. The gain function in the QMC blocks can be used to reduce the amplitude of the input signal. The advantage of FIR4 having a positive gain at all frequencies is that the user is then able to optimize the back-off of the signal based on its frequency.

The filter taps for all digital filters are listed in Table 4. Note that the loss of signal amplitude may result in lower SNR due to decrease in signal amplitude.

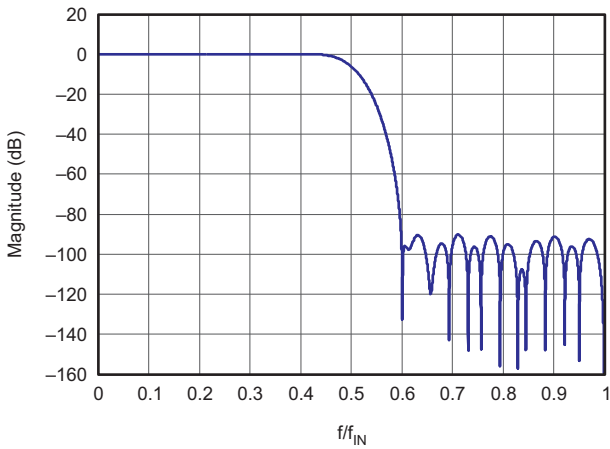


Figure 62. Magnitude Spectrum for FIR0

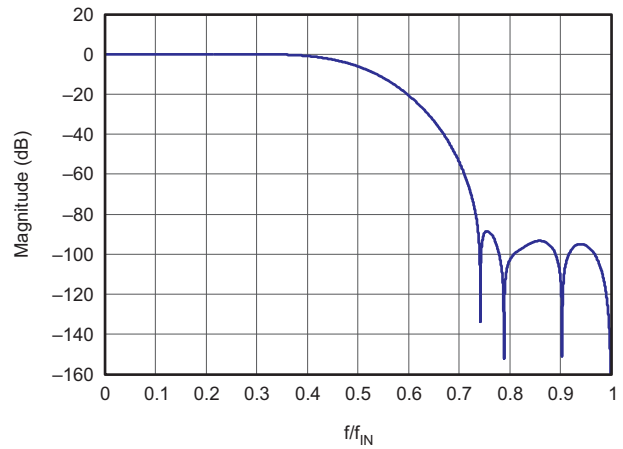


Figure 63. Magnitude Spectrum for FIR1

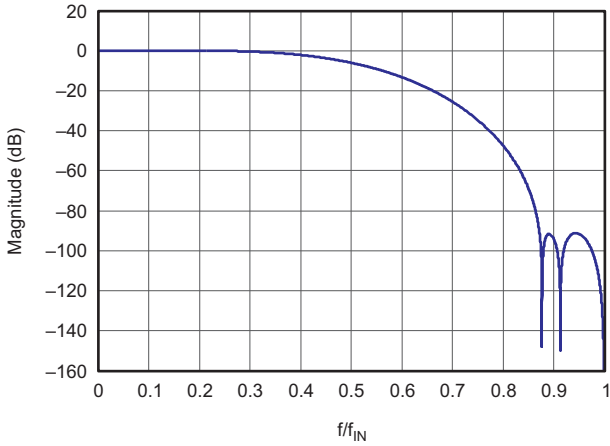


Figure 64. Magnitude Spectrum for FIR2

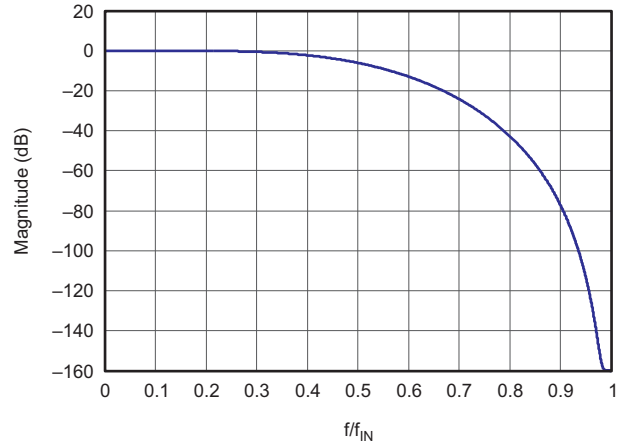


Figure 65. Magnitude Spectrum for FIR3

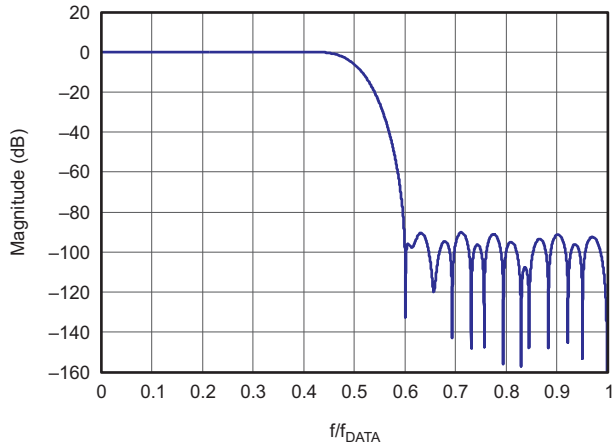


Figure 66. 2x Interpolation Composite Response

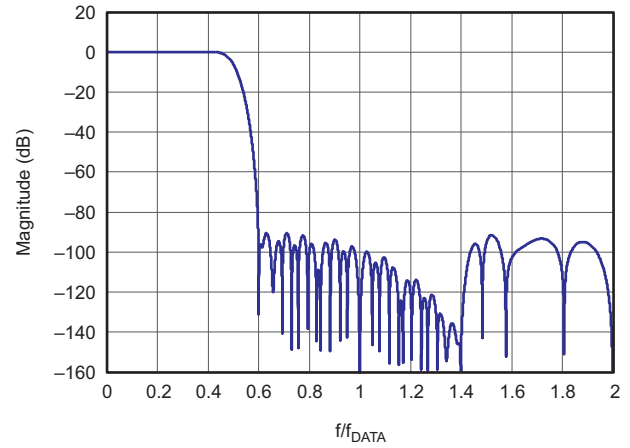


Figure 67. 4x Interpolation Composite Response

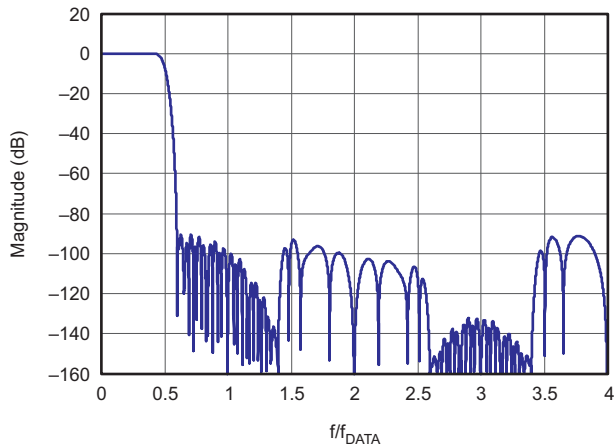


Figure 68. 8x Interpolation Composite Response

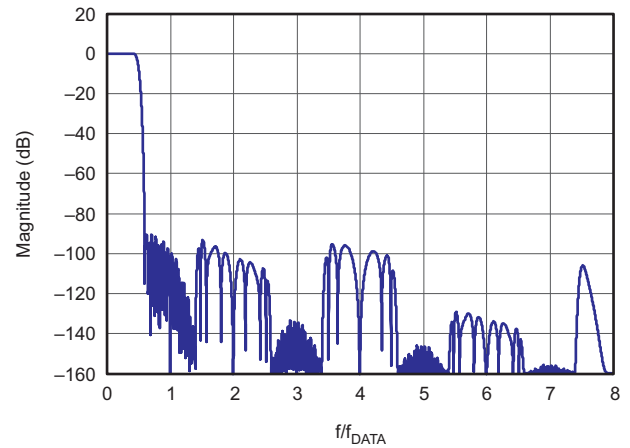


Figure 69. 16x Interpolation Composite Response

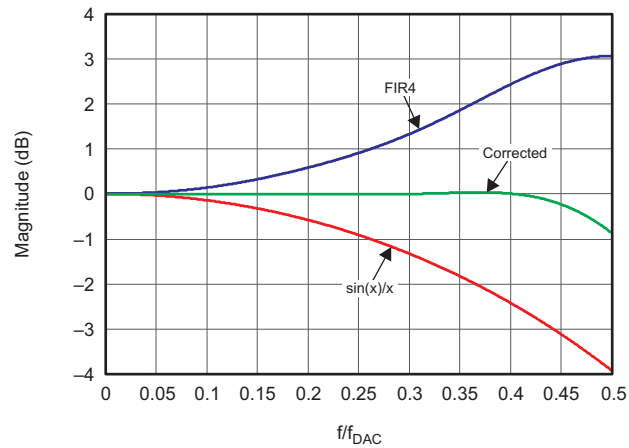


Figure 70. Magnitude Spectrum for Inverse Sinc Filter

ADVANCE INFORMATION

Table 7. FIR Filter Coefficients

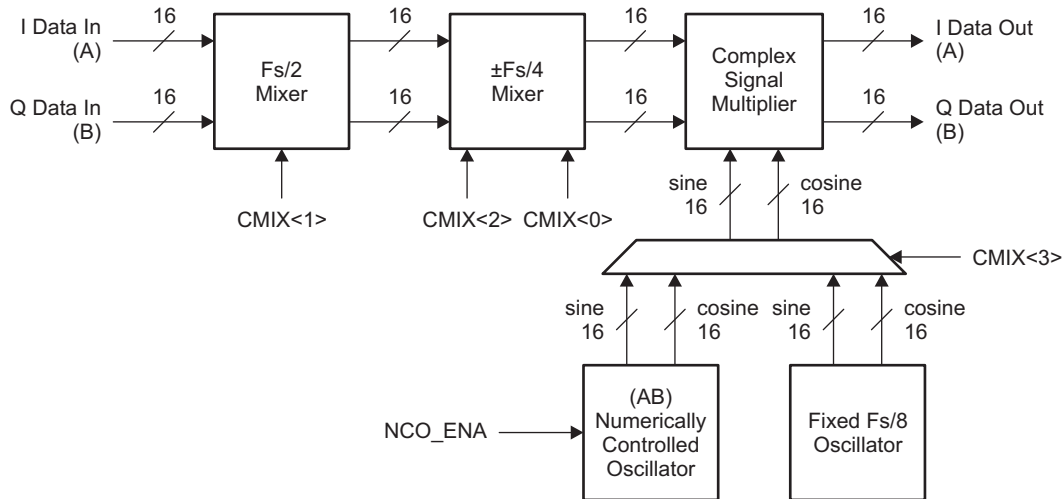
Interpolating Half-band Filters								Non-Interpolating Inverse-SINC Filter	
FIR0		FIR1		FIR2		FIR3		FIR4	
59 Taps		23 Taps		11 Taps		11 Taps		9 Taps	
6	6	-12	-12	29	29	3	3	1	1
0	0	0	0	0	0	0	0	-4	-4
-19	-19	84	84	-214	-214	-25	-25	13	13
0	0	0	0	0	0	0	0	-50	-50
47	47	-336	-336	1209	1209	150	150	592⁽¹⁾	
0	0	0	0	2048⁽¹⁾		256⁽¹⁾			
-100	-100	1006	1006						
0	0	0	0						
192	192	-2691	-2691						
0	0	0	0						
-342	-342	10141	10141						
0	0	16,384⁽¹⁾							
572	572								
0	0								
-914	-914								
0	0								
1409	1409								
0	0								
-2119	-2119								
0	0								
3152	3152								
0	0								
-4729	-4729								
0	0								
7420	7420								
0	0								
-13,334	-13,334								
0	0								
41,527	41,527								
65,536⁽¹⁾									

(1) Center taps are highlighted in BOLD

ADVANCE INFORMATION

COMPLEX SIGNAL MIXER

The DAC34SH84 has two paths of complex signal mixer blocks that contain two full complex mixer (FMIX) blocks and power saving coarse mixer (CMIX) blocks. The signal path is shown in Figure 71.



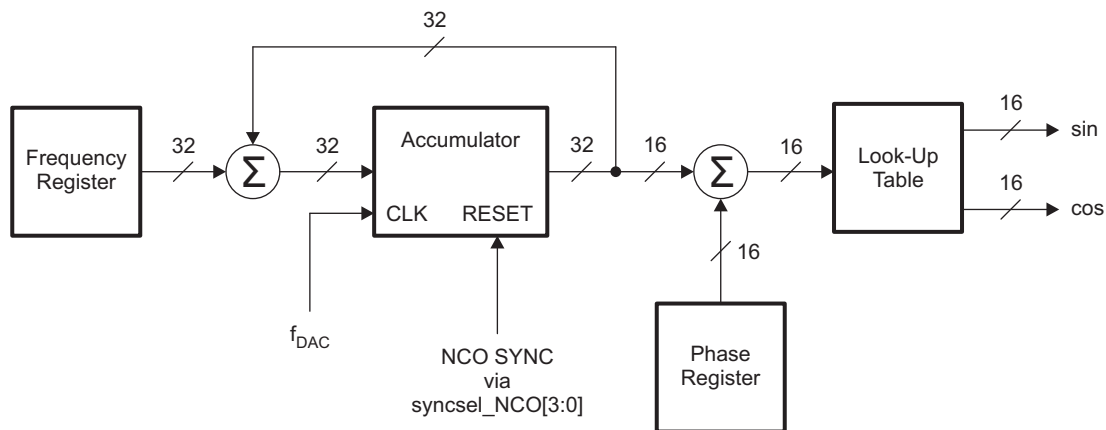
B0471-02

Note: Channel CD data path not shown

Figure 71. Path of Complex Signal Mixer

FULL COMPLEX MIXER

The two FMIX blocks operate with independent Numerically Controlled Oscillators (NCOs) and enable flexible frequency placement without imposing additional limitations in the signal bandwidth. The NCOs have 32-bit frequency registers (*phaseaddAB(31:0)* and *phaseaddCD(31:0)*) and 16-bit phase registers (*phaseoffsetAB(15:0)* and *phaseoffsetCD(15:0)*) that generate the sine and cosine terms for the complex mixing. The NCO block diagram is shown in Figure 72.



B0026-03

Figure 72. NCO Block Diagram

Synchronization of the NCOs occurs by resetting the NCO accumulators to zero. The synchronization source is selected by *syncsel_NCO(3:0)* in *config31*. The frequency word in the *phaseaddAB(31:0)* and *phaseaddCD(31:0)* registers is added to the accumulators every clock cycle, f_{DAC} . The output frequency of the NCO is:

$$f_{NCO} = \frac{freq \times f_{NCO_CLK}}{2^{32}} \quad (1)$$

With the complex mixer enabled, the two channels in the mixer path are treated as complex vectors of the form $I_{IN}(t) + j Q_{IN}(t)$. The complex signal multiplier (shown in Figure 73) will multiply the complex channels with the sine and cosine terms generated by the NCO. The resulting output, $I_{OUT}(t) + j Q_{OUT}(t)$, of the complex signal multiplier is:

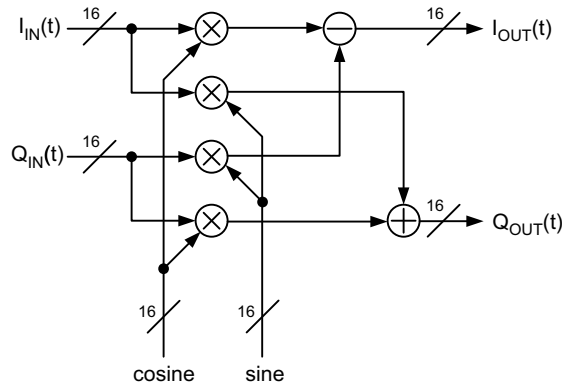
$$I_{OUT}(t) = (I_{IN}(t)\cos(2\pi f_{NCO}t + \delta) - Q_{IN}(t)\sin(2\pi f_{NCO}t + \delta)) \times 2^{(mixer_gain - 1)}$$

$$Q_{OUT}(t) = (I_{IN}(t)\sin(2\pi f_{NCO}t + \delta) + Q_{IN}(t)\cos(2\pi f_{NCO}t + \delta)) \times 2^{(mixer_gain - 1)}$$

where t is the time since the last resetting of the NCO accumulator, δ is the phase offset value and $mixer_gain$ is either 0 or 1. δ is given by:

$$\delta = 2\pi \times phase_offsetAB/CD(15:0) / 2^{16}$$

The $mixer_gain$ option allows the output signals of the multiplier to reduce by half (6 dB). See Mixer Gain section for details.



B0472-02

Figure 73. Complex Signal Multiplier

COARSE COMPLEX MIXER

In addition to the full complex mixers, the DAC34SH84 also has coarse mixer blocks capable of shifting the input signal spectrum by the fixed mixing frequencies $\pm n \times f_s / 8$. Using the coarse mixer instead of the full mixers lowers power consumption.

The output of the $f_s / 2$, $f_s / 4$, and $-f_s / 4$ mixer block is:

$$I_{OUT}(t) = I(t)\cos(2\pi f_{CMIX}t) - Q(t)\sin(2\pi f_{CMIX}t)$$

$$Q_{OUT}(t) = I(t)\sin(2\pi f_{CMIX}t) + Q(t)\cos(2\pi f_{CMIX}t)$$

Since the sine and the cosine terms are a function of $f_s / 2$, $f_s / 4$, or $-f_s / 4$ mixing frequencies, the possible resulting value of the terms can only be 1, -1, or 0. The simplified mathematics allows the complex signal multiplier to be bypassed in any one of the modes, thus mixer gain is not available. The $f_s / 2$, $f_s / 4$, and $-f_s / 4$ mixer blocks performs mixing through negating and swapping of I/Q channel on certain sequence of samples. Table 8 shows the algorithm used for those mixer blocks.

Table 8. $f_s / 2$, $f_s / 4$, and $-f_s / 4$ Mixing Sequence

MODE	MIXING SEQUENCE
Normal (mixer bypassed)	Iout = {I1, I2, I3, I4...}
	Qout = {Q1, Q2, Q3, Q4...}
$f_s / 2$	Iout = {I1, -I2, I3, -I4...}
	Qout = {Q1, -Q2, Q3, -Q4...}
$f_s / 4$	Iout = {I1, -Q2, -I3, Q4...}
	Qout = {Q1, I2, -Q3, -I4...}
$-f_s / 4$	Iout = {I1, Q2, -I3, -Q4...}
	Qout = {Q1, -I2, -Q3, I4...}

The $f_s / 8$ mixer can be enabled along with various combinations of $f_s / 2$, $f_s / 4$, and $-f_s / 4$ mixer. Because the $f_s / 8$ mixer uses the complex signal multiplier block with fixed $f_s / 8$ sine and cosine term, the output of the multiplier is:

$$I_{OUT}(t) = (I_{IN}(t)\cos(2\pi f_{NCO}t + \delta) - Q_{IN}(t)\sin(2\pi f_{NCO}t + \delta)) \times 2^{(mixer_gain - 1)}$$

$$Q_{OUT}(t) = (I_{IN}(t)\sin(2\pi f_{NCO}t + \delta) + Q_{IN}(t)\cos(2\pi f_{NCO}t + \delta)) \times 2^{(mixer_gain - 1)}$$

where f_{CMIX} is the fixed mixing frequency selected by *cmix(3:0)*. The mixing combinations are described in Table 9. The *mixer_gain* option allows the output signals of the multiplier to reduce by half (6dB). See Mixer Gain section for details.

Table 9. Coarse Mixer Combinations

cmix(3:0)	$f_s / 8$ Mixer cmix(3)	$f_s / 4$ Mixer cmix(2)	$f_s / 2$ Mixer cmix(1)	$-f_s / 4$ Mixer cmix(0)	Mixing Mode
0000	Disabled	Disabled	Disabled	Disabled	No mixing
0001	Disabled	Disabled	Disabled	Enabled	$-f_s / 4$
0010	Disabled	Disabled	Enabled	Disabled	$f_s / 2$
0100	Disabled	Enabled	Disabled	Disabled	$f_s / 4$
1000	Enabled	Disabled	Disabled	Disabled	$f_s / 8$
1010	Enabled	Disabled	Enabled	Disabled	$-3f_s / 8$
1100	Enabled	Enabled	Disabled	Disabled	$3f_s / 8$
1110	Enabled	Enabled	Enabled	Disabled	$-f_s / 8$
All others	–	–	–	–	Not recommended

MIXER GAIN

The maximum output amplitude out of the complex signal multiplier (i.e., FMIX mode or CMIX mode with $f_s / 8$ mixer enabled) occurs if $I_{IN}(t)$ and $Q_{IN}(t)$ are simultaneously full scale amplitude and the sine and cosine arguments are equal to $2\pi \times f_{MIX}t + \delta (2N-1) \times \pi / 4$, where $N = 1, 2, 3$, etc....

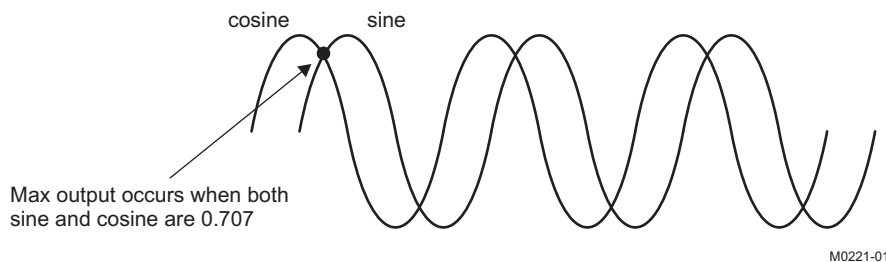


Figure 74. Maximum Output of the Complex Signal Multiplier

With *mixer_gain* = 1 and both $I_{IN}(t)$ and $Q_{IN}(t)$ are simultaneously full scale amplitude, the maximum output possible out of the complex signal multiplier is $0.707 + 0.707 = 1.414$ (or 3dB). This configuration can cause clipping of the signal and should therefore be used with caution.

With *mixer_gain* = 0 in *config2*, the maximum output possible out of the complex signal multiplier is $0.5 \times (0.707 + 0.707) = 0.707$ (or –3 dB). This loss in signal power is in most cases undesirable, and it is recommended that the gain function of the QMC block be used to increase the signal by 3 dB to compensate.

REAL CHANNEL UPCONVERSION

The mixer in the DAC34SH84 treats the A, B, C, and D inputs are complex input data and produces a complex output for most mixing frequencies. The real input data for each channel can be isolated only when the mixing frequency is set to normal mode or $f_s / 2$ mode. See Table 8 for details.

QUADRATURE MODULATION CORRECTION (QMC)

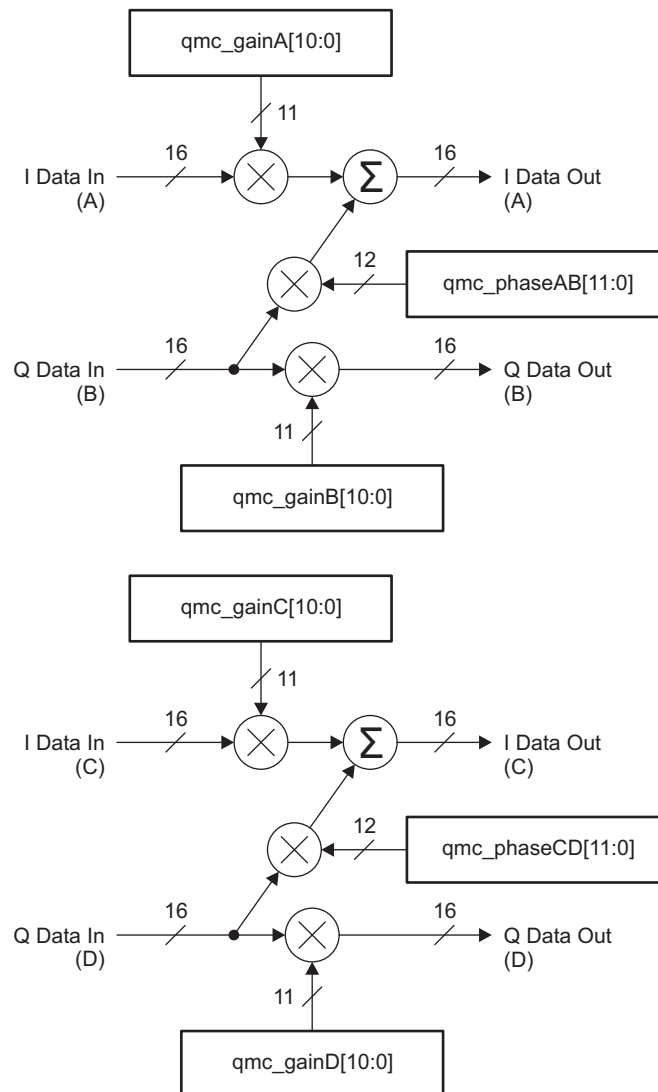
GAIN AND PHASE CORRECTION

The DAC34SH84 includes a Quadrature Modulator Correction (QMC) block. The QMC blocks provide a mean for changing the gain and phase of the complex signals to compensate for any I and Q imbalances present in an analog quadrature modulator. The block diagram for the QMC block is shown in Figure 75. The QMC block contains 3 programmable parameters.

Registers *qmc_gainA/B(10:0)* and *qmc_gainC/D(10:0)* controls the I and Q path gains and is an 11-bit unsigned value with a range of 0 to 1.9990 and the default gain is 1.0000. The implied decimal point for the multiplication is between bit 9 and bit 10.

Register *qmc_phaseAB/CD(11:0)* control the phase imbalance between I and Q and are a 12-bit values with a range of -0.5 to approximately 0.49975 . The QMC phase term is not a direct phase rotation but a constant that is multiplied by each Q sample then summed into the I sample path. This is an approximation of a true phase rotation in order to keep the implementation simple.

LO feed-through can be minimized by adjusting the DAC offset feature described below.



B0164-03

Figure 75. QMC Block Diagram

OFFSET CORRECTION

Registers *qmc_offsetA(12:0)*, *qmc_offsetB(12:0)*, *qmc_offsetC(12:0)* and *qmc_offsetD(12:0)* can be used to independently adjust the dc offsets of each channel. The offset values are represented in 2s-complement format with a range from -4096 to 4095.

The offset value adds a digital offset to the digital data before digital-to-analog conversion. Because the offset is added directly to the data it may be necessary to back off the signal to prevent saturation. Both data and offset values are LSB aligned.

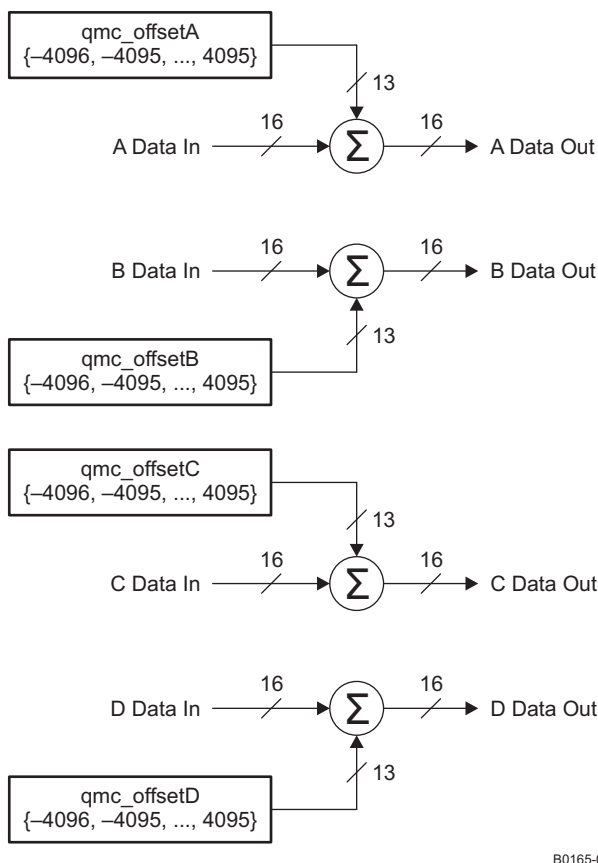


Figure 76. Digital Offset Block Diagram

TEMPERATURE SENSOR

The DAC34SH84 incorporates a temperature sensor block which monitors the temperature by measuring the voltage across 2 transistors. The voltage is converted to an 8-bit digital word using a successive-approximation (SAR) analog to digital conversion process. The result is scaled, limited and formatted as a twos complement value representing the temperature in degrees Celsius.

The sampling is controlled by the serial interface signals SDENB and SCLK. If the temperature sensor is enabled (*tsense_sleep* = 0 in register *config26*) a conversion takes place each time the serial port is written or read. The data is only read and sent out by the digital block when the temperature sensor is read in *tempdata(7:0)* in *config6*. The conversion uses the first eight clocks of the serial clock as the capture and conversion clock, the data is valid on the falling eighth SCLK. The data is then clocked out of the chip on the rising edge of the ninth SCLK. No other clocks to the chip are necessary for the temperature sensor operation. As a result the temperature sensor is enabled even when the device is in sleep mode.

In order for the process described above to operate properly, the serial port read from *config6* must be done with an SCLK period of at least 1 μ s. If this is not satisfied the temperature sensor accuracy is greatly reduced.

DATA PATTERN CHECKER

The DAC34SH84 incorporates a simple pattern checker test in order to determine errors in the data interface. The main cause of failures is setup and/or hold timing issues. The test mode is enabled by asserting *iotest_ena* in register *config1*. In test mode the analog outputs are deactivated regardless of the state of TXENA or *sif_textnable* in register *config3*.

The data pattern key used for the test is 8 words long and is specified by the contents of *iotest_pattern[0:7]* in registers *config37* through *config44*. The data pattern key can be modified by changing the contents of these registers.

The first word in the test frame is determined by a rising edge transition in ISTR or SYNC, depending on the *syncsel_fifo(3:0)* setting in *config32*. At this transition, the *pattern0* word should be input to the data DAB[15:0] pins, and *pattern2* should be input to the data DCD[15:0] pins. Patterns 1, 4, and 5 of DAB[15:0] bus and pattern 3, 6, and 7 of DCD[15:0] bus should follow sequentially on each edge of DATACLK (rising and falling). The sequence should be repeated until the pattern checker test is disabled by setting *iotest_ena* back to 0. It is not necessary to have a rising ISTR or SYNC edge aligned with every four DATACLK cycle, just the first one to mark the beginning of the series.

ADVANCE INFORMATION

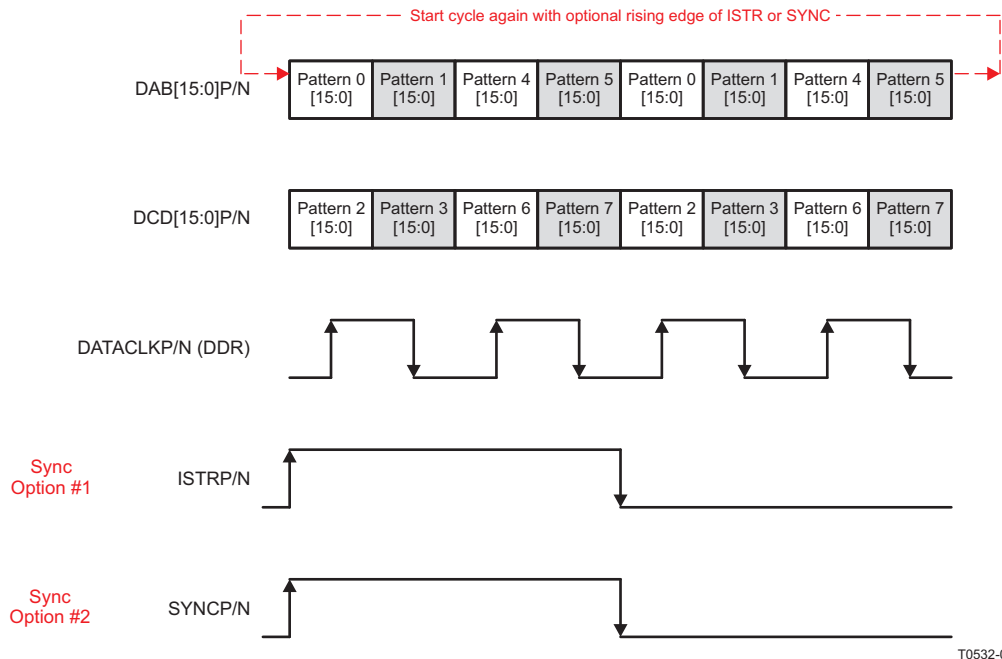


Figure 77. IO Pattern Checker Data Transmission Format

The test mode determines if the all the patterns on the two 16-bit LVDS data buses (DAB[15:0]P/N and DCD[15:0]P/N) were received correctly by comparing the received data against the data pattern key. If any bits in either of the two 16-bit data buses were received incorrectly, the corresponding bits in *iotest_results(15:0)* in register *config4* will be set to 1 to indicate bit error location. The user can check the corresponding bit location on both 16-bit data buses and implement the fix accordingly. Furthermore, the error condition will trigger the *alarm_from_iotest* bit in register *config5* to indicate a general error in the data interface. When data pattern checker mode is enabled, this alarm in register *config5*, bit7 is the only valid alarm. Other alarms in register *config5* are not valid and can be disregarded.

For instance, *pattern0* is programmed to the default of 0x7A7A. If the received Pattern 0 is 0x7A7B, then bit 0 in *iotest_results(15:0)* will be set to 1 to indicate an error in bit 0 location. The *alarm_from_iotest* will also be set to 1 to report the data transfer error. Note that *iotest_results(15:0)* does not indicate which of the 16-bit buses has the error. The user needs to check both 16-bit buses and then narrow down the error from the bit location information.

The alarms can be cleared by writing 0x0000 to *iotest_results(15:0)* and 0 to *alarm_from_iotest* through the serial interface. The serial interface will read back 0s if there are no errors or if the errors are cleared. The corresponding alarm bit will remain a 1 if the errors remain.

It is recommended to enable the pattern checker and then run the pattern sequence for 100 or more complete cycles before clearing the *iotest_results(15:0)* and *alarm_from_iotest*. This will eliminate the possibility of false alarms generated during the setup sequence.

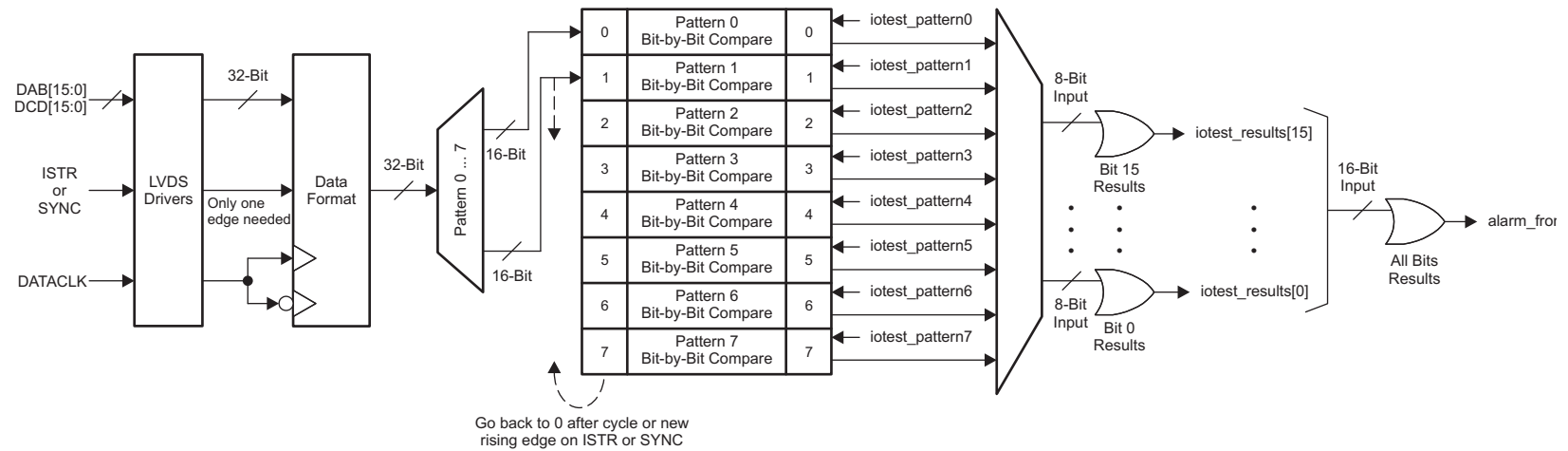


Figure 78. DAC34SH84 Pattern Check Block Diagram

ADVANCE INFORMATION

PARITY CHECK TEST

The DAC34SH84 has a parity check test that enables continuous validity monitoring of the data received by the DAC. Parity check testing in combination with the data pattern checker offer an excellent solution for detecting board assembly issues due to missing pad connections.

For the parity check test, an extra parity bit is added to the data bits to ensure that the total number of set bits (bits with value 1) is even or odd. This simple scheme is used to detect single or any other odd number of data transfer errors. Parity testing is implemented in the DAC34SH84 in two ways: 32-bit parity and dual 16-bit parity.

32-BIT PARITY

In the 32-bit mode the additional parity bit is sourced to the parity input (PARITYP/N) for the 32-bit data transfer into the DAB[15:0]P/N and DCD[15:0]P/N inputs. This mode is enabled by setting *parity_ena* = 1 and *single_dual_parity* = 0 in register *config1*. The input parity value is defined to be the total number of logic 1s on the 33-bit data bus – the DAB[15:0]P/N inputs, the DCD[15:0]P/N inputs, and the PARITYP/N input. This value, the total number of logic 1s, must match the parity test selected in the *oddeven_parity* bit in register *config1*.

For example, if the *oddeven_parity* bit is set to 1 for odd parity, then the number of 1s on the 33-bit data bus should be odd. The DAC will check the data transfer through the parity input. If the data received has odd number of 1s, then the parity is correct. If the data received has even number of 1s, then the parity is incorrect. The corresponding alarm for parity error will be set accordingly.

Figure 79 shows the simple XOR structure used to check word parity. Parity is tested independently for data captured on both rising and falling edges of DATACLK (*alarm_Aparity* and *alarm_Bparity*, respectively). Testing on both edges helps in determining a possible setup or hold issue. Both alarms are captured individually in register *config5*.

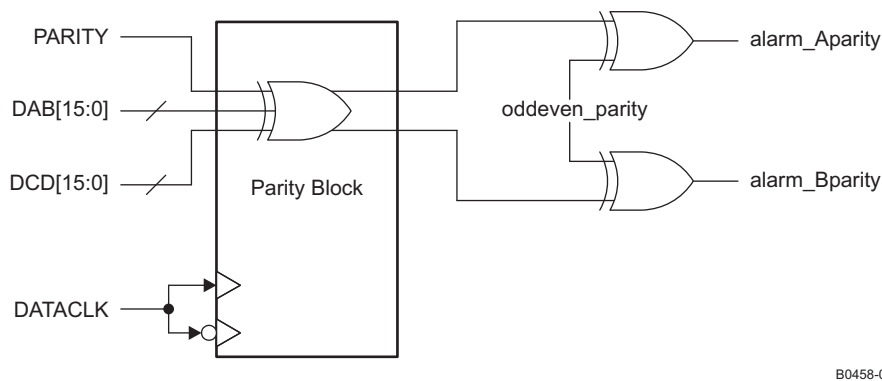


Figure 79. DAC34SH84 32-Bit Parity Check

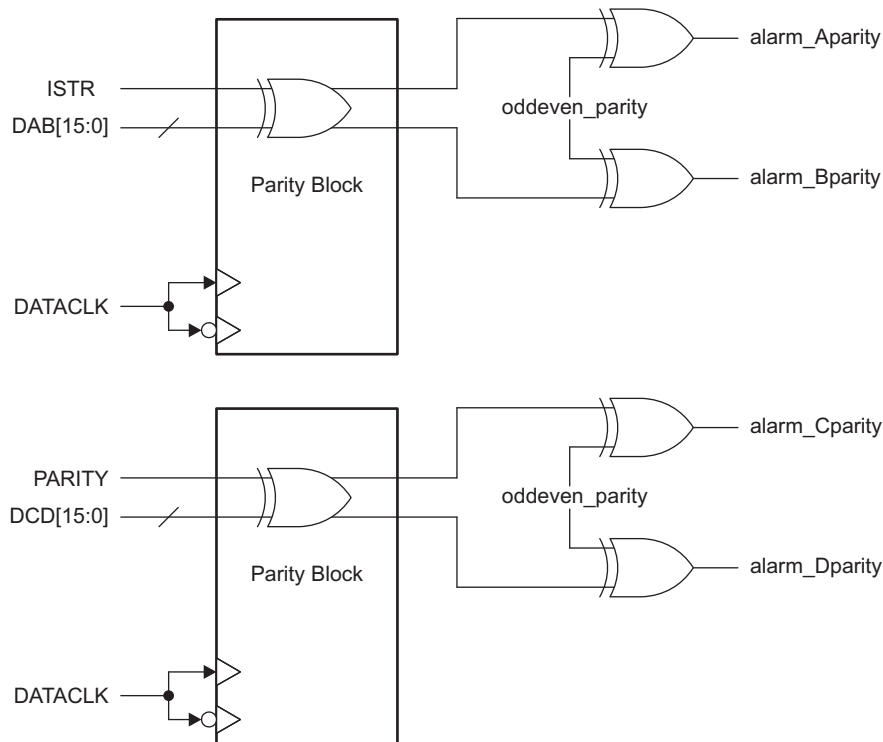
DUAL 16-BIT PARITY

In the dual 16-bit mode, each 16-bit LVDS data bus input will be accompanied by a parity bit for error checking. The DAB[15:0]P/N and ISTRP/N are one 17-bit data path, and the DCD[15:0]P/N and PARITYP/N are another path. This mode is enabled by setting *parity_ena* = 1 and *single_dual_parity* = 1 in register *config1*. The input parity value is defined to be the total number of logic 1s on each 17-bit data bus. This value, the total number of logic 1s, must match the parity test selected in the *oddeven_parity* bit in register *config1*.

For example, if the *oddeven_parity* bit is set to 1 for odd parity, then the number of 1s on each 17-bit data bus should be odd. The DAC will check the data transfer through the parity input. If the data received has odd number of 1s, then the parity is correct. If the data received has even number of 1s, then the parity is incorrect. The corresponding alarm for parity error will be set accordingly.

Figure 80 shows the simple XOR structure used to check word parity. Parity is tested independently for data captured on both rising and falling edges of DATACLK for each data path (*alarm_Aparity*, *alarm_Bparity*, *alarm_Cparity*, and *alarm_Dparity*, respectively). Testing on both edges and both data buses helps in determining a possible setup or hold issue. All of the alarms are captured individually in register *config5*.

In this mode the ISTR signal functions as a parity signal and cannot be used to sync the FIFO pointer simultaneously. It is recommended to use the SYNC to sync the FIFO pointer. If ISTR has to be used to sync the FIFO pointer, the ISTR sync can only be possible upon start-up when dual 16-bit parity function is disabled. Once the initialization is finished, disable the FIFO pointer sync through ISTR (by configuring *syncsel_fifo_in* and *syncsel_fifo_out* in *config32*) and enable the dual 16-bit parity function afterwards.



B0463-01

Figure 80. DAC34SH84 Dual 16-Bit Parity Check

DAC34SH84 ALARM MONITORING

The DAC34SH84 includes a flexible set of alarm monitoring that can be used to alert of a possible malfunction scenario. All the alarm events can be accessed either through the *config5* register or through the ALARM pin. Once an alarm is set, the corresponding alarm bit in register *config5* must be reset through the serial interface to allow further testing. The set of alarms includes the following conditions:

Zero check alarm

- Alarm_from_zerock. Occurs when the FIFO write pointer has an all zeros pattern. Since the write pointer is a shift register, all zeros will cause the input point to be stuck until the next sync event. When this happens a sync to the FIFO block is required.

FIFO alarms

- alarm_from_fifo. Occurs when there is a collision in the FIFO pointers or a collision event is close.
 - alarm_fifo_2away. Pointers are within two addresses of each other.
 - alarm_fifo_1away. Pointers are within one address of each other.
 - alarm_fifo_collision. Pointers are equal to each other.

Clock alarms

- clock_gone. Occurs when either the DACCLK or DATACLK have been stopped.
 - alarm_dacclk_gone. Occurs when the DACCLK has been stopped.
 - alarm_dataclk_gone. Occurs when the DATACLK has been stopped.

Pattern checker alarm

- `alarm_from_iotest`. Occurs when the input data pattern does not match the pattern key.

PLL alarm

- `alarm_from_pll`. Occurs when the PLL is out of lock.

Parity alarms

- `alarm_Aparity`: In dual parity mode, alarm indicating a parity error on the A word. In single parity mode, alarm on the 32-bit data captured on the rising edge of `DATACLKP/N`.
- `alarm_Bparity`: In dual parity mode, alarm indicating a parity error on the B word. In single parity mode, alarm on the 32-bit data captured on the falling edge of `DATACLKP/N`.
- `alarm_Cparity`: In dual parity mode, alarm indicating a parity error on the C word.
- `alarm_Dparity`: In dual parity mode, alarm indicating a parity error on the D word.

To prevent unexpected DAC outputs from propagating into the transmit channel chain, the clock and `alarm_fifo_collision` alarms can be set in `config2` to shut-off the DAC output automatically regardless of the state of `TXENA` or `sif_txenable`.

Alarm monitoring is implemented as follows:

- Power up the device using the recommended power-up sequence.
- Clear all the alarms in `config5` by setting them to zeros.
- Unmask those alarms that will generate a hardware interrupt through the ALARM pin in `config7`.
- Enable automatic DAC shut-off in register `config2` if required.
- In the case of an alarm event, the ALARM pin will trigger. If automatic DAC shut-off has been enabled the DAC outputs will be disabled.
- Read registers `config5` to determine which alarm triggered the ALARM pin.
- Correct the error condition and re-synchronize the FIFO.
- Clear the alarms in `config5`.
- Re-read `config5` to ensure the alarm event has been corrected.
- Keep clearing and reading `config5` until no error is reported.

POWER-UP SEQUENCE

The following startup sequence is recommended to power-up the DAC34SH84:

1. Set `TXENA` low
2. Supply all 1.35V voltages (`DACVDD`, `CLKVDD`), 1.3V voltages (`DIGVDD`, `VFUSE`), and 3.3V voltages (`AVDD`, `IOVDD`, and `PLLAVDD`). The 1.2V and 3.3V supplies can be powered up simultaneously or in any order. There are no specific requirements on the ramp rate for the supplies.
3. Provide all LVPECL inputs: `DACCLKP/N` and the optional `OSTRP/N`. These inputs can also be provided after the SIF register programming.
4. Toggle the `RESETB` pin for a minimum 25 ns active low pulse width.
5. Program the SIF registers.
6. Program `fuse_sleep` (`config27`, bit<11>) to put the internal fuses to sleep.
7. FIFO configuration needed for synchronization:
 - (a) Program `syncsel_fifoin(3:0)` (`config32`, bit<15:12>) to select the FIFO input pointer sync source.
 - (b) Program `syncsel_fifoout(3:0)` (`config32`, bit<11:8>) to select the FIFO output pointer sync source.
 - (c) Program `syncsel_fifo_input(1:0)` (`config31`, bit<3:2>) to select the FIFO input sync source.
8. Clock divider configuration needed for synchronization:
 - (a) Program `clkdiv_sync_sel` (`config32`, bit<0>) to select the clock divider sync source.
 - (b) Program `clkdiv_sync_ena` (`config0`, bit<2>) to 1 to enable clock divider sync.
 - (c) For multi-DAC synchronization in PLL mode, program `pll_ndivsync_ena` (`config24`, bit<11>) to 1 to synchronize the PLL N-divider.
9. Provide all LVDS inputs (`D[15:0]P/N`, `DCD[15:0]P/N`, `DATACLKP/N`, `ISTRP/N`, `SYNCP/N` and `PARITYP/N`) simultaneously. Synchronize the FIFO and clock divider by providing the pulse or periodic signals needed.
 - (a) For Single Sync Source Mode where either `ISTRP/N` or `SYNCP/N` is used to sync the FIFO, a single

rising edge for FIFO and clock divider sync is recommended. Periodic sync signal is not recommended due to the non-deterministic latency of the sync signal through the clock domain transfer.

- (b) For Dual Sync Sources Mode, both single pulse or periodic sync signals can be used.
 - (c) For multi-DAC synchronization in PLL mode, the LVDS SYNC/N signal is used to sync the PLL N-divider and can be sourced from either the FPGA/ASIC pattern generator or clock distribution circuit as long as the $t_{(\text{SYNC_PLL})}$ setup and hold timing requirement is met with respect to the reference clock source at DACCLKP/N pins. The LVDS SYNC/N signal can be provided at this point.
10. FIFO and clock divider configurations after all the sync signals have provided the initial sync pulses needed for synchronization:
- (a) For Single Sync Source Mode where the clock divider sync source is either ISTRP/N or SYNC/N, clock divider syncing must be disabled after DAC34SH84 initialization and before the data transmission by setting *clkdiv_sync_ena* (*config0*, bit 2) to 0.
 - (b) For Dual Sync Sources Mode, where the clock divider sync source is from the OSTR signal (either from external OSTRP/N or internal PLL N divider output), the clock divider syncing may be enabled at all time.
 - (c) Optionally, to prevent accidental syncing of the FIFO when sending the ISTRP/N or SYNC/N pulse to other digital blocks such as NCO, QMC, etc, disable FIFO syncing by setting *syncsel_fifoout(3:0)* and *syncsel_fifoout(3:0)* to 0000 after the FIFO input and output pointers are initialized. If the FIFO and sync remain enabled after initialization, the ISTRP/N or SYNC/N pulse must occur in ways to not disturb the FIFO operation. Refer to the INPUT FIFO section for detail.
 - (d) Disable PLL N-divider syncing by setting *pll_ndivsync_ena* (*config24*, bit<11>) to 0.
11. Enable transmit of data by asserting the TXENA pin or set *sif_txenable* to 1.
12. At any time, if any of the clocks (that is, DATACLK or DACCLK) is lost or a FIFO collision alarm is detected, a complete resynchronization of the DAC is necessary. Set TXENABLE low and repeat steps 7 through 11. Program the FIFO configuration and clock divider configuration per steps 7 and 8 appropriately to accept the new sync pulse or pulses for the synchronization.

EXAMPLE START-UP ROUTINE

DEVICE CONFIGURATION

$f_{\text{DATA}} = 737.28 \text{ MSPS}$
 Interpolation = 2x
 Input data = baseband data
 $f_{\text{OUT}} = 122.88 \text{ MHz}$
 PLL = Enabled
 Full Mixer = Enabled
 NCO = Enabled
 Dual Sync Sources Mode

PLL CONFIGURATION

$f_{\text{REFCLK}} = 737.28 \text{ MHz}$ at the DACCLKP/N LVPECL pins
 $f_{\text{DACCLK}} = f_{\text{DATA}} \times \text{Interpolation} = 1474.56 \text{ MHz}$
 $f_{\text{VCO}} = 2 \times f_{\text{DACCLK}} = 2949.12 \text{ MHz}$ (keep f_{VCO} between 2.7 GHz and 3.3 GHz)
 $\text{PFD} = f_{\text{OSTR}} = 46.08 \text{ MHz}$
 $N = 16, M = 32, P = 2$, single charge pump
 $\text{pll_vco}(5:0) = 01\ 1100$ (28)

NCO CONFIGURATION

$$f_{\text{NCO}} = 122.88 \text{ MHz}$$

$$f_{\text{NCO_CLK}} = 1474.56 \text{ MHz}$$

$$\text{freq} = f_{\text{NCO}} \times 2^{32} / 1228.8 = 357,913,941 = 0x1555\ 5555$$

$$\text{phaseaddAB}(31:0) \text{ and/or } \text{phaseaddCD}(31:0) = 0x1555\ 5555$$

$$\text{NCO SYNC} = \text{sif_sync}$$

EXAMPLE START-UP SEQUENCE
Table 10. Example Start-Up Sequence Description

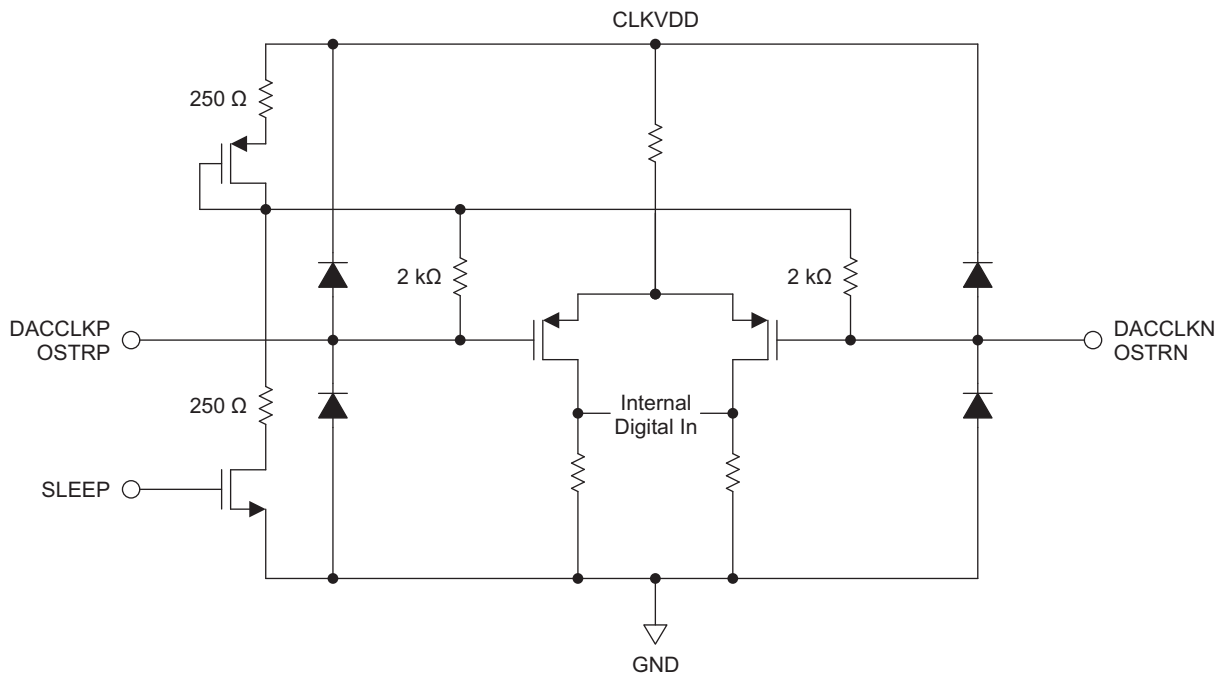
STEP	READ/WRITE	ADDRESS	VALUE	DESCRIPTION
1	N/A	N/A	N/A	Set TXENA low
2	N/A	N/A	N/A	Power up the device
3	N/A	N/A	N/A	Apply LVPECL DACCLKP/N for PLL reference clock
4	N/A	N/A	N/A	Toggle RESETB pin
5	Write	0x00	0xF19F	QMC offset and correction enabled, 2x int, FIFO enabled, Alarm enabled, clock divider sync enabled, inverse sinc filter enabled.
6	Write	0x01	0x040E	Single parity enabled, FIFO alarms enabled (2 away, 1 away, and collision).
7	Write	0x02	0x7052	Output shut-off when DACCLK gone, DATACLK gone, and FIFO collision. Mixer block with NCO enabled, twos complement.
8	Write	0x03	0xA000	Output current set to 20 mA _{FS} with internal reference and 1.28-k Ω R _{BIAS} resistor.
9	Write	0x07	0xD8FF	Un-mask FIFO collision, DACCLK-gone, and DATACLK-gone alarms to the Alarm output.
10	Write	0x08	N/A	Program the desired channel A QMC offset value. (Causes auto-sync for QMC AB-channels offset block)
11	Write	0x09	N/A	Program the desired FIFO offset value and channel B QMC offset value.
12	Write	0x0A	N/A	Program the desired channel C QMC offset value. (Causes auto-sync for QMC CD-channels offset block)
13	Write	0x0B	N/A	Program the desired channel D QMC offset value.
14	Write	0x0C	N/A	Program the desired channel A QMC gain value.
15	Write	0x0D	N/A	Coarse mixer mode not used. Program the desired channel B QMC gain value.
16	Write	0x0E	N/A	Program the desired channel B QMC gain value.
17	Write	0x0F	N/A	Program the desired channel C QMC gain value.
18	Write	0x10	N/A	Program the desired channel AB QMC phase value. (Causes Auto-Sync QMC AB-Channels Correction Block)
19	Write	0x11	N/A	Program the desired channel CD QMC phase value. (Causes Auto-Sync for the QMC CD-Channels Correction Block)
20	Write	0x12	N/A	Program the desired channel AB NCO phase offset value. (Causes Auto-Sync for Channel AB NCO Mixer)
21	Write	0x13	N/A	Program the desired channel CD NCO phase offset value. (Causes Auto-Sync for Channel CD NCO Mixer)
22	Write	0x14	0x5555	Program the desired channel AB NCO frequency value
23	Write	0x15	0x1555	Program the desired channel AB NCO frequency value
24	Write	0x16	0x5555	Program the desired channel CD NCO frequency value
25	Write	0x17	0x1555	Program the desired channel CD NCO frequency value
26	Write	0x18	0x2C50	PLL enabled, PLL N-dividers sync enabled, single charge pump, prescaler = 2.
27	Write	0x19	0x20F4	M = 32, N = 16, PLL VCO bias tune = "01"
28	Write	0x1A	0x7010	PLL VCO coarse tune = 28
29	Write	0x1B	0x0800	Internal reference

Table 10. Example Start-Up Sequence Description (continued)

STEP	READ/WRITE	ADDRESS	VALUE	DESCRIPTION
30	Write	0x1E	0x9999	QMC offset AB, QMC offset CD, QMC correction AB, and QMC correction CD can be synced by <code>sif_sync</code> or auto-sync from register write
31	Write	0x1F	0x4440	Mixer AB and CD values synced by SYNC/N. NCO accumulator synced by SYNC/N.
32	Write	0x20	0x2400	FIFO Input Pointer Sync Source = ISTR FIFO Output Pointer Sync Source = OSTR (from PLL N-divider output) Clock Divider Sync Source = OSTR
33	N/A	N/A	N/A	Provide all the LVDS DATA and DATACLK Provide rising edge ISTRP/N and rising edge SYNC/N to sync the FIFO input pointer and PLL N-dividers.
34	Read	0x18	N/A	Read back <code>pll_lfvolt(2:0)</code> . If the value is not optimal, adjust <code>pll_vco(5:0)</code> in 0x1A.
35	Write	0x05	0x0000	Clear all alarms in 0x05.
36	Read	0x05	N/A	Read back all alarms in 0x05. Check for PLL lock, FIFO collision, DACCLK-gone, DATACLK-gone, etc. Fix the error appropriately. Repeat step 34 and 35 as necessary.
37	Write	0x1F	0x4442	Sync all the QMC blocks using <code>sif_sync</code> . These blocks can also be synced via auto-sync through appropriate register writes.
38	Write	0x00	0xF19B	Disable clock divider sync.
39	Write	0x1F	0x4448	Set <code>sif_sync</code> to 0 for the next <code>sif_sync</code> event.
40	Write	0x20	0x0000	Disable FIFO input and output pointer sync.
41	Write	0x18	0x2450	Disable PLL N-dividers sync.
42	N/A	N/A	N/A	Set TXENA high. Enable data transmission.

LVPECL INPUTS

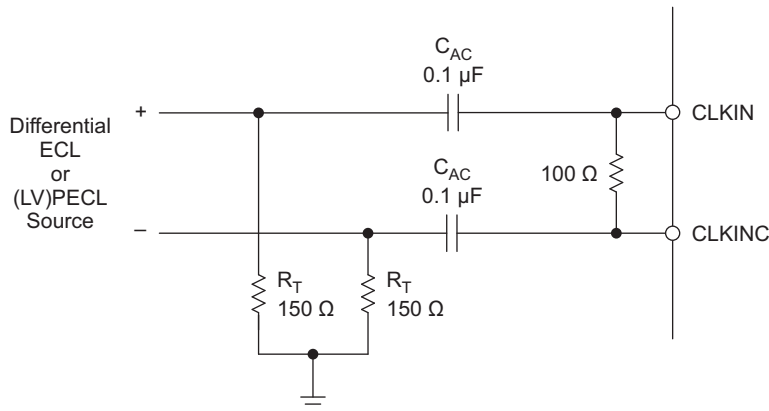
Figure 81 shows an equivalent circuit for the DAC input clock (DACCLKP/N) and the output strobe clock (OSTRP/N).



S0515-01

Figure 81. DACCLKP/N and OSTRP/N Equivalent Input Circuit

Figure 82 shows the preferred configuration for driving the CLKIN/CLKINC input clock with a differential ECL or PECL source.



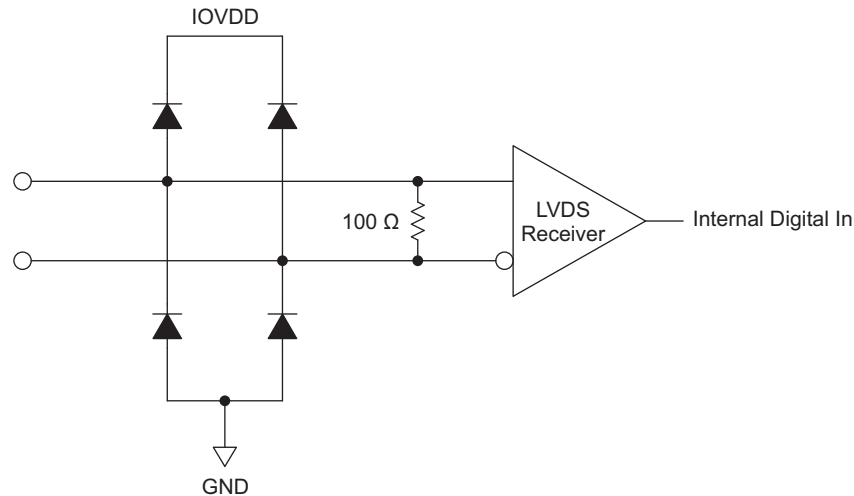
S0029-02

Figure 82. Preferred Clock Input Configuration With a Differential ECL or PECL Clock Source

ADVANCE INFORMATION

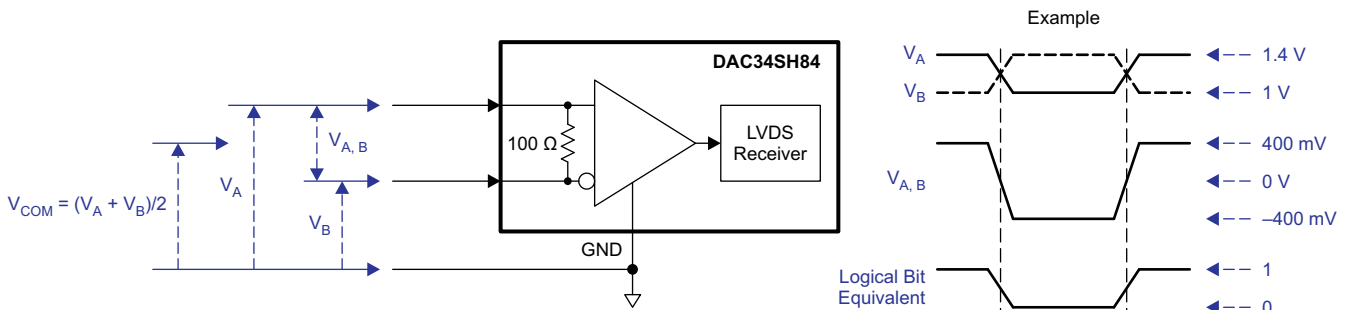
LVDS INPUTS

The DAB[15:0]P/N, DCD[15:0]P/N, DATACLKP/N, SYNCN/P, PARITYP/N, and ISTRP/N LVDS pairs have the input configuration shown in Figure 83. Figure 84 shows the typical input levels and common-mode voltage used to drive these inputs.



S0516-01

Figure 83. DAB[15:0]P/N, DCD[15:0]P/N, DATACLKP/N, ISTRP/N, SYNCN/P and PARITYP/N LVDS Input Configuration



B0459-04

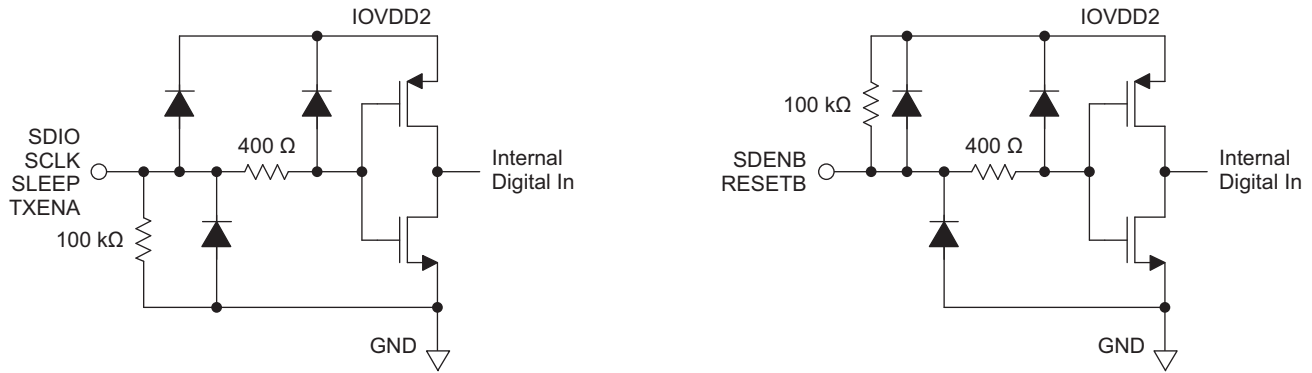
Figure 84. LVDS Data Input Levels

Table 11. Example LVDS Data Input Levels

Applied Voltages		Resulting Differential Voltage	Resulting Common-Mode Voltage	Logical Bit Binary Equivalent
VA	VB	VA,B	VCOM	
1.4 V	1.0 V	400 mV	1.2 V	1
1.0 V	1.4 V	-400 mV		0
1.2 V	0.8 V	400 mV	1.0 V	1
0.8 V	1.2 V	-400 mV		0

CMOS DIGITAL INPUTS

Figure 85 shows a schematic of the equivalent CMOS digital inputs of the DAC34SH84. SDIO, SCLK, SLEEP and TXENA have pull-down resistors while SDENB and RESETB have pull-up resistors internal to the DAC34SH84. All the CMOS digital inputs and outputs are referred to the IOVDD2 supply, which can vary from 1.8V to 3.3V. This facilitates the I/O interface and eliminates the need of level translation. See the specification table for logic thresholds. The pull-up and pull-down circuitry is approximately equivalent to 100kΩ.



S0027-04

Figure 85. CMOS Digital Equivalent Input

REFERENCE OPERATION

The DAC34SH84 uses a bandgap reference and control amplifier for biasing the full-scale output current. The full-scale output current is set by applying an external resistor R_{BIAS} to pin BIASJ. The bias current I_{BIAS} through resistor R_{BIAS} is defined by the on-chip bandgap reference voltage and control amplifier. The default full-scale output current equals 64 times this bias current and can thus be expressed as:

$$IOUT_{FS} = 64 \times I_{BIAS} = 64 \times (V_{EXTIO} / R_{BIAS}) / 2$$

The DAC34SH84 has a 4-bit coarse gain control *coarse_dac(3:0)* in the *config3* register. Using gain control, the $IOUT_{FS}$ can be expressed as:

$$IOUT_{FS} = (coarse_dac + 1) / 16 \times I_{BIAS} \times 64 = (coarse_dac + 1) / 16 \times (V_{EXTIO} / R_{BIAS}) / 2 \times 64$$

where V_{EXTIO} is the voltage at terminal EXTIO. The bandgap reference voltage delivers an accurate voltage of 1.2V. This reference is active when *extref_ena* = 0 in *config27*. An external decoupling capacitor C_{EXT} of 0.1 μF should be connected externally to terminal EXTIO for compensation. The bandgap reference can additionally be used for external reference operation. In that case, an external buffer with high impedance input should be applied in order to limit the bandgap load current to a maximum of 100 nA. The internal reference can be disabled and overridden by an external reference by setting the *extref_ena* control bit. Capacitor C_{EXT} may hence be omitted. Terminal EXTIO thus serves as either input or output node.

The full-scale output current can be adjusted from 30 mA down to 10 mA by varying resistor R_{BIAS} , programming *coarse_dac(3:0)*, or changing the externally applied reference voltage.

NOTE

With internal reference, the minimum R_{bias} resistor value is 1.28kΩ. Resistor value below 1.28kΩ is not recommended since it will program the full-scale current to go above 30mA and potentially damages the device.

DAC TRANSFER FUNCTION

The CMOS DACs consist of a segmented array of PMOS current sources, capable of sourcing a full-scale output current up to 30 mA. Differential current switches direct the current to either one of the complementary output nodes IOUTP or IOUTN. Complementary output currents enable differential operation, thus canceling out common mode noise sources (digital feed-through, on-chip and PCB noise), dc offsets, even order distortion components, and increasing signal output power by a factor of two.

The full-scale output current is set using external resistor R_{BIAS} in combination with an on-chip bandgap voltage reference source (+1.2 V) and control amplifier. Current I_{BIAS} through resistor R_{BIAS} is mirrored internally to provide a maximum full-scale output current equal to 64 times I_{BIAS} .

The relation between IOUTP and IOUTN can be expressed as:

$$IOUT_{FS} = IOUTP + IOUTN$$

We will denote current flowing into a node as – current and current flowing out of a node as + current. Since the output stage is a current source the current flows from the IOUTP and IOUTN pins. The output current flow in each pin driving a resistive load can be expressed as:

$$IOUTP = IOUT_{FS} \times \text{CODE} / 65,536$$

$$IOUTN = IOUT_{FS} \times (65,535 - \text{CODE}) / 65,536$$

where CODE is the decimal representation of the DAC data input word

For the case where IOUTP and IOUTN drive resistor loads R_L directly, this translates into single ended voltages at IOUTP and IOUTN:

$$VOUTP = IOUT1 \times R_L$$

$$VOUTN = IOUT2 \times R_L$$

Assuming that the data is full scale (65,535 in offset binary notation) and the R_L is 25 Ω , the differential voltage between pins IOUTP and IOUTN can be expressed as:

$$VOUTP = 20\text{mA} \times 25 \Omega = 0.5 \text{ V}$$

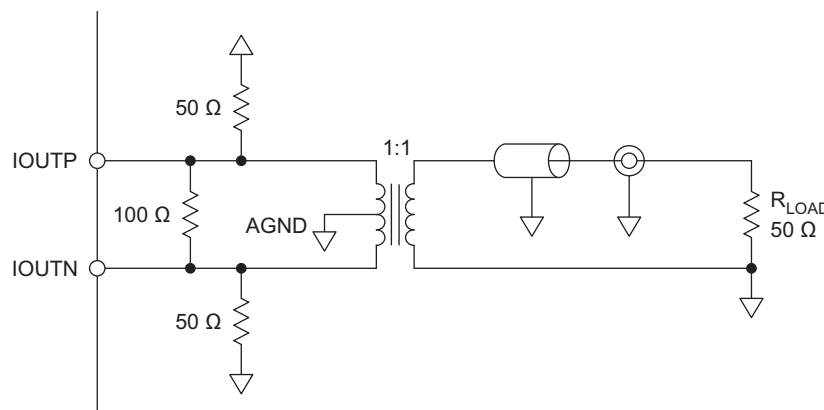
$$VOUTN = 0\text{mA} \times 25 \Omega = 0 \text{ V}$$

$$VDIFF = VOUTP - VOUTN = 0.5\text{V}$$

Note that care should be taken not to exceed the compliance voltages at node IOUTP and IOUTN, which would lead to increased signal distortion.

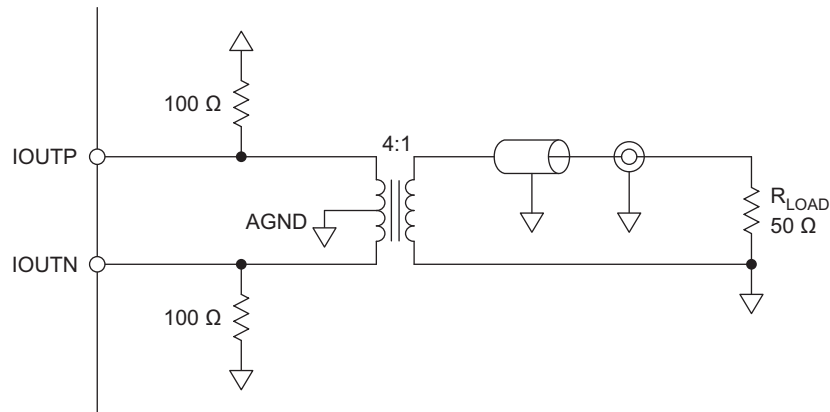
ANALOG CURRENT OUTPUTS

The DAC34SH84 can be easily configured to drive a doubly terminated 50 Ω cable using a properly selected RF transformer. [Figure 86](#) and [Figure 87](#) show the 50 Ω doubly terminated transformer configuration with 1:1 and 4:1 impedance ratio, respectively. Note that the center tap of the primary input of the transformer has to be grounded to enable a DC current flow. Applying a 20 mA full-scale output current would lead to a 0.5 V_{pp} for a 1:1 transformer and a 1 V_{pp} output for a 4:1 transformer. The low dc-impedance between IOUTP or IOUTN and the transformer center tap sets the center of the ac-signal to GND, so the 1 V_{pp} output for the 4:1 transformer results in an output between –0.5 V and +0.5 V.



S0517-01

Figure 86. Driving a Doubly Terminated 50 Ω Cable Using a 1:1 Impedance Ratio Transformer



S0518-01

Figure 87. Driving a Doubly Terminated 50 Ω Cable Using a 4:1 Impedance Ratio Transformer

PACKAGE OPTION ADDENDUM

ORDERABLE DEVICE	STATUS	PACKAGE TYPE	PINS	PACKAGE QUANTITY	ECO PLAN	LEAD/BALL FINISH	MSL PEAK TEMPERATURE
DAC34SH84IZAY	Active	NFBGA	196	800	Green (RoHS and no Sb/Br)	SNAGCU	MSL3 260C
DAC34SH84IZAYR	Active	NFBGA	196	1000	Green (RoHS and no Sb/Br)	SNAGCU	MSL3 260C

ADVANCE INFORMATION

REVISION HISTORY

Changes from Revision A (June 2012) to Revision B	Page
• Added thermal information to the Absolute Maximum Ratings table	6
• Deleted T _j row from top of thermal table	7
• Added Recommended Operating Conditions table	7
• Deleted OPERATING RANGE section from bottom of Electrical Characteristics - DC Specifications table	9

ADVANCE INFORMATION

PACKAGING INFORMATION

Orderable Device	Status ⁽¹⁾	Package Type	Package Drawing	Pins	Package Qty	Eco Plan ⁽²⁾	Lead/ Ball Finish	MSL Peak Temp ⁽³⁾	Samples (Requires Login)
DAC34SH84IZAY	PREVIEW	NFBGA	ZAY	196	160	Green (RoHS & no Sb/Br)	SNAGCU	Level-3-260C-168 HR	
DAC34SH84IZAYR	PREVIEW	NFBGA	ZAY	196	1000	Green (RoHS & no Sb/Br)	SNAGCU	Level-3-260C-168 HR	
XDAC34SH84IZAY	PREVIEW	NFBGA	ZAY	196	160	TBD	Call TI	Call TI	

⁽¹⁾ The marketing status values are defined as follows:

ACTIVE: Product device recommended for new designs.

LIFEBUY: TI has announced that the device will be discontinued, and a lifetime-buy period is in effect.

NRND: Not recommended for new designs. Device is in production to support existing customers, but TI does not recommend using this part in a new design.

PREVIEW: Device has been announced but is not in production. Samples may or may not be available.

OBSOLETE: TI has discontinued the production of the device.

⁽²⁾ Eco Plan - The planned eco-friendly classification: Pb-Free (RoHS), Pb-Free (RoHS Exempt), or Green (RoHS & no Sb/Br) - please check <http://www.ti.com/productcontent> for the latest availability information and additional product content details.

TBD: The Pb-Free/Green conversion plan has not been defined.

Pb-Free (RoHS): TI's terms "Lead-Free" or "Pb-Free" mean semiconductor products that are compatible with the current RoHS requirements for all 6 substances, including the requirement that lead not exceed 0.1% by weight in homogeneous materials. Where designed to be soldered at high temperatures, TI Pb-Free products are suitable for use in specified lead-free processes.

Pb-Free (RoHS Exempt): This component has a RoHS exemption for either 1) lead-based flip-chip solder bumps used between the die and package, or 2) lead-based die adhesive used between the die and leadframe. The component is otherwise considered Pb-Free (RoHS compatible) as defined above.

Green (RoHS & no Sb/Br): TI defines "Green" to mean Pb-Free (RoHS compatible), and free of Bromine (Br) and Antimony (Sb) based flame retardants (Br or Sb do not exceed 0.1% by weight in homogeneous material)

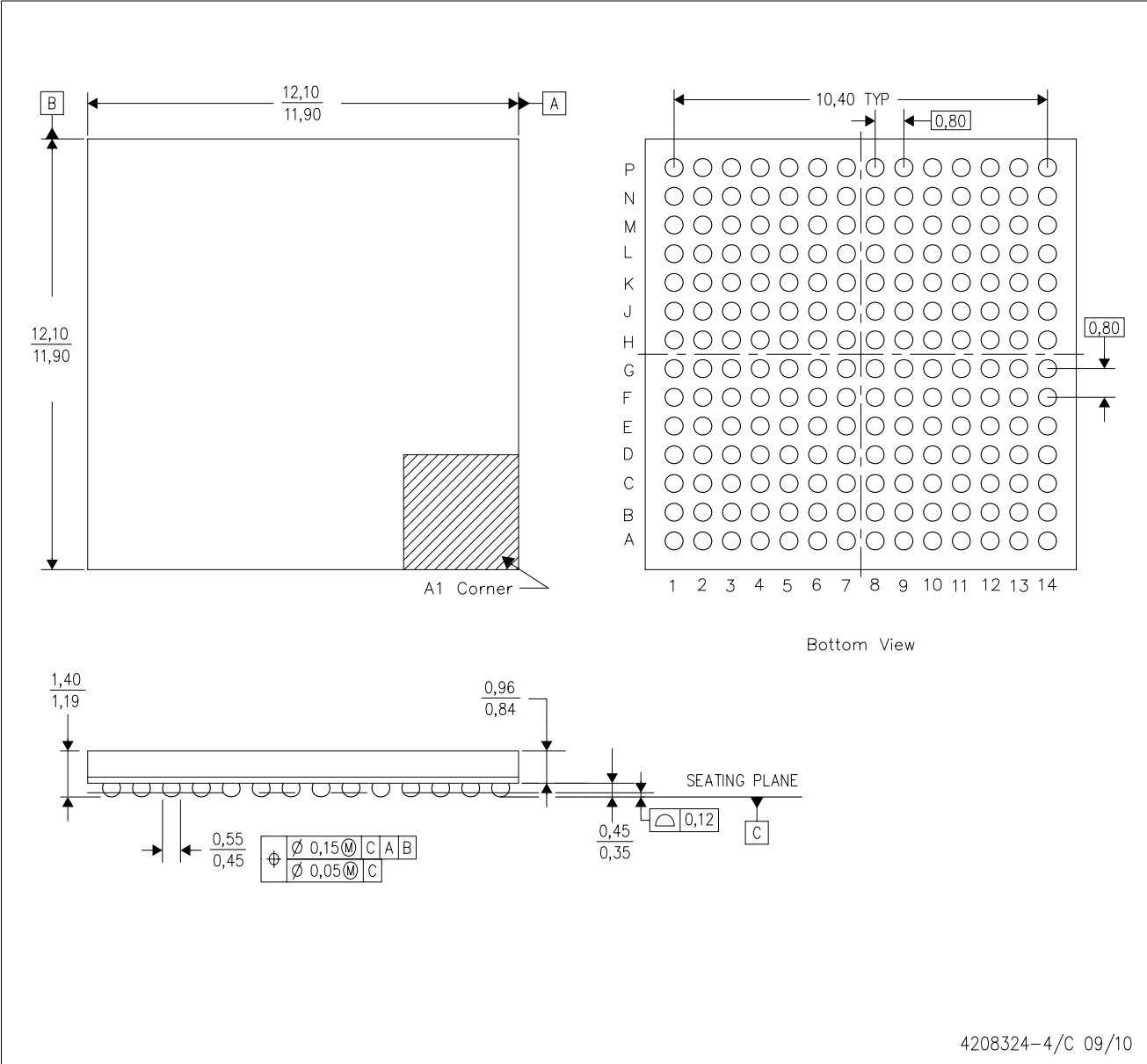
⁽³⁾ MSL, Peak Temp. -- The Moisture Sensitivity Level rating according to the JEDEC industry standard classifications, and peak solder temperature.

Important Information and Disclaimer: The information provided on this page represents TI's knowledge and belief as of the date that it is provided. TI bases its knowledge and belief on information provided by third parties, and makes no representation or warranty as to the accuracy of such information. Efforts are underway to better integrate information from third parties. TI has taken and continues to take reasonable steps to provide representative and accurate information but may not have conducted destructive testing or chemical analysis on incoming materials and chemicals. TI and TI suppliers consider certain information to be proprietary, and thus CAS numbers and other limited information may not be available for release.

In no event shall TI's liability arising out of such information exceed the total purchase price of the TI part(s) at issue in this document sold by TI to Customer on an annual basis.

ZAY (S-PBGA-N196)

PLASTIC BALL GRID ARRAY



- NOTES:
- A. All linear dimensions are in millimeters. Dimensioning and tolerancing per ASME Y14.5M-1994.
 - B. This drawing is subject to change without notice.
 - C. This is a Pb-free solder ball design.

IMPORTANT NOTICE

Texas Instruments Incorporated and its subsidiaries (TI) reserve the right to make corrections, enhancements, improvements and other changes to its semiconductor products and services per JESD46C and to discontinue any product or service per JESD48B. Buyers should obtain the latest relevant information before placing orders and should verify that such information is current and complete. All semiconductor products (also referred to herein as "components") are sold subject to TI's terms and conditions of sale supplied at the time of order acknowledgment.

TI warrants performance of its components to the specifications applicable at the time of sale, in accordance with the warranty in TI's terms and conditions of sale of semiconductor products. Testing and other quality control techniques are used to the extent TI deems necessary to support this warranty. Except where mandated by applicable law, testing of all parameters of each component is not necessarily performed.

TI assumes no liability for applications assistance or the design of Buyers' products. Buyers are responsible for their products and applications using TI components. To minimize the risks associated with Buyers' products and applications, Buyers should provide adequate design and operating safeguards.

TI does not warrant or represent that any license, either express or implied, is granted under any patent right, copyright, mask work right, or other intellectual property right relating to any combination, machine, or process in which TI components or services are used. Information published by TI regarding third-party products or services does not constitute a license to use such products or services or a warranty or endorsement thereof. Use of such information may require a license from a third party under the patents or other intellectual property of the third party, or a license from TI under the patents or other intellectual property of TI.

Reproduction of significant portions of TI information in TI data books or data sheets is permissible only if reproduction is without alteration and is accompanied by all associated warranties, conditions, limitations, and notices. TI is not responsible or liable for such altered documentation. Information of third parties may be subject to additional restrictions.

Resale of TI components or services with statements different from or beyond the parameters stated by TI for that component or service voids all express and any implied warranties for the associated TI component or service and is an unfair and deceptive business practice. TI is not responsible or liable for any such statements.

Buyer acknowledges and agrees that it is solely responsible for compliance with all legal, regulatory and safety-related requirements concerning its products, and any use of TI components in its applications, notwithstanding any applications-related information or support that may be provided by TI. Buyer represents and agrees that it has all the necessary expertise to create and implement safeguards which anticipate dangerous consequences of failures, monitor failures and their consequences, lessen the likelihood of failures that might cause harm and take appropriate remedial actions. Buyer will fully indemnify TI and its representatives against any damages arising out of the use of any TI components in safety-critical applications.

In some cases, TI components may be promoted specifically to facilitate safety-related applications. With such components, TI's goal is to help enable customers to design and create their own end-product solutions that meet applicable functional safety standards and requirements. Nonetheless, such components are subject to these terms.

No TI components are authorized for use in FDA Class III (or similar life-critical medical equipment) unless authorized officers of the parties have executed a special agreement specifically governing such use.

Only those TI components which TI has specifically designated as military grade or "enhanced plastic" are designed and intended for use in military/aerospace applications or environments. Buyer acknowledges and agrees that any military or aerospace use of TI components which have **not** been so designated is solely at the Buyer's risk, and that Buyer is solely responsible for compliance with all legal and regulatory requirements in connection with such use.

TI has specifically designated certain components which meet ISO/TS16949 requirements, mainly for automotive use. Components which have not been so designated are neither designed nor intended for automotive use; and TI will not be responsible for any failure of such components to meet such requirements.

Products

Audio	www.ti.com/audio
Amplifiers	amplifier.ti.com
Data Converters	dataconverter.ti.com
DLP® Products	www.dlp.com
DSP	dsp.ti.com
Clocks and Timers	www.ti.com/clocks
Interface	interface.ti.com
Logic	logic.ti.com
Power Mgmt	power.ti.com
Microcontrollers	microcontroller.ti.com
RFID	www.ti-rfid.com
OMAP Mobile Processors	www.ti.com/omap
Wireless Connectivity	www.ti.com/wirelessconnectivity

Applications

Automotive and Transportation	www.ti.com/automotive
Communications and Telecom	www.ti.com/communications
Computers and Peripherals	www.ti.com/computers
Consumer Electronics	www.ti.com/consumer-apps
Energy and Lighting	www.ti.com/energy
Industrial	www.ti.com/industrial
Medical	www.ti.com/medical
Security	www.ti.com/security
Space, Avionics and Defense	www.ti.com/space-avionics-defense
Video and Imaging	www.ti.com/video

TI E2E Community e2e.ti.com