

SIEMENS

High-Performance 8-Bit Single Chip Microcontroller

SAB 80515/80535

Preliminary

SAB 80515 Microcontroller with factory mask-programmable ROM

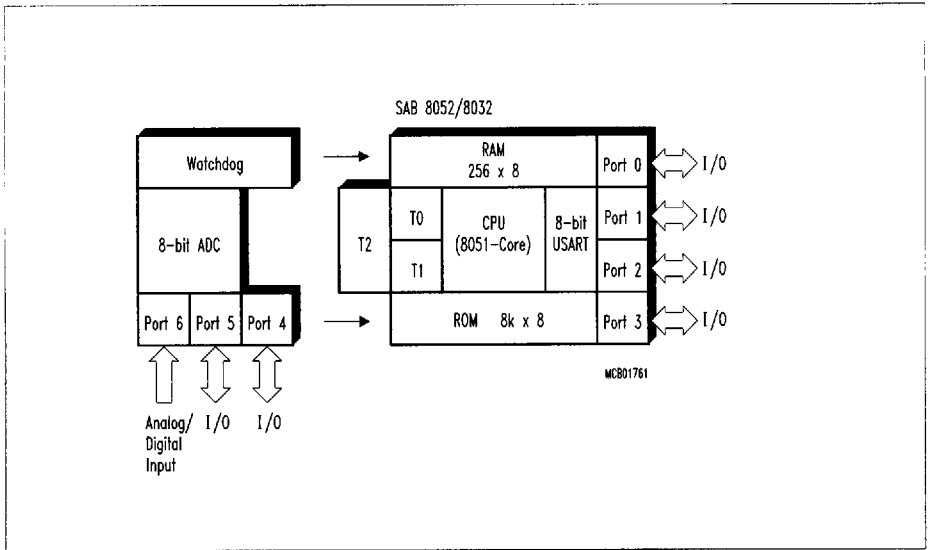
SAB 80535 Microcontroller for external ROM

- 8 K × 8 ROM (SAB 80C515 only)
- 256 × 8 RAM
- Six 8-bit I/O ports, one 8-bit input port for analog signals
- Three 16-bit timer/counters
- Highly flexible reload, capture, compare capabilities
- Full-duplex serial channel
- Twelve interrupt vectors, four priority levels
- 8-bit A/D converter with 8 multiplexed inputs and programmable internal reference voltages
- 16-bit watchdog timer
- V_{PD} provides standby current for 40 bytes of RAM
- Boolean processor
- 256-bit-addressable locations
- Most instructions execute in 1 μ s (750 ns)
- 4 μ s (3 μ s) multiply and divide
- External memory expandable up to 128 Kbytes
- Backwardly compatible with SAB 8051
- Two temperature ranges available:
 - 0 to 70 °C
 - 40 to 85 °C (T40/85)

The SAB 80515/80535 is a powerful member of the Siemens SAB 8051 family of 8-bit micro-controllers. It is fabricated in + 5 V N-channel, silicon-gate Siemens MYMOS technology. The SAB 80515/80535 is a stand-alone, high-performance single-chip microcontroller based on the SAB 8051 architecture. While maintaining all the SAB 8051 operating characteristics, the SAB 80515/80535 incorporates several enhancements which significantly increase design flexibility and overall system performance.

The SAB 80535 is identical with the SAB 80515 except that it lacks the on-chip program memory. The SAB 80515/80535 is supplied in a 68-pin plastic leaded chip carrier package (P-LCC-68).

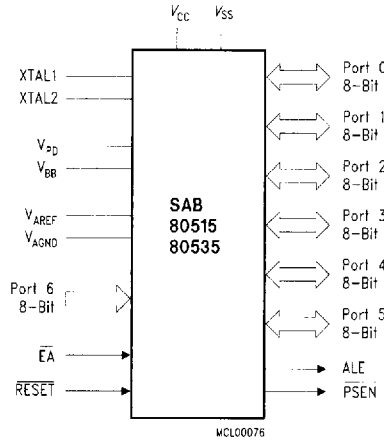
301



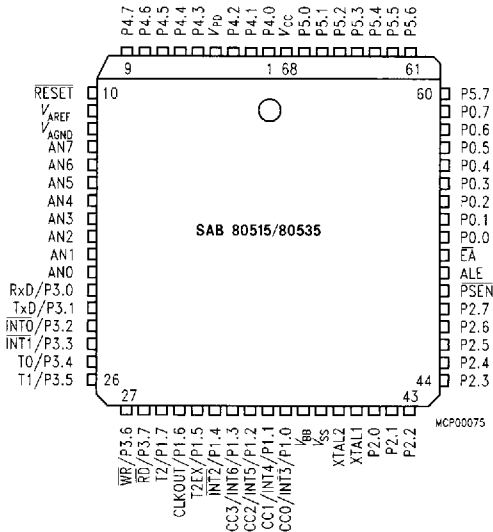
Ordering Information

| Type | Ordering code | Package | Description 8-bit CMOS microcontroller |
|--------------------|---------------|----------|---|
| SAB 80515-N | Q 67120-C211 | P-LCC-68 | with mask-programmable ROM |
| SAB 80535-N | Q 67120-C241 | P-LCC-68 | for external memory |
| SAB 80515-N-T40/85 | Q 67120-C210 | P-LCC-68 | with mask-programmable ROM |
| SAB 80535-N-40/85 | Q 67120-C240 | P-LCC-68 | for external memory |

Note: Extended temperature range – 40 to 110 °C on request



Logic Symbol



Pin Configuration (P-LCC-68)

Pin Definitions and Functions

| Symbol | Pin | Input (I) Output (O) | Function |
|------------|----------|-------------------------|--|
| P4.0-P4.7 | 1-3, 5-9 | I/O | Port 4 is an 8-bit quasi-bidirectional I/O port . Port 4 can sink/source 4 LS-TTL loads. |
| V_{PD} | 4 | I | Power down supply. If V_{PD} is held within its specs while V_{CC} drops below specs, V_{PD} will provide standby power to 40 byte of the internal RAM. When V_{PD} is low, the RAM's current is drawn from V_{CC} . |
| RESET | 10 | I | A low level on this pin for the duration of two machine cycles while the oscillator is running resets the SAB 80C515. A small internal pullup resistor permits power-on reset using only a capacitor connected to V_{SS} |
| V_{AREF} | 11 | | Reference voltage for the A/D converter |
| V_{AGND} | 12 | | Reference ground for the A/D converter |
| AN7-AN0 | 13-20 | I | Multiplexed analog inputs |

Pin Definitions and Functions (cont'd)

| Symbol | Pin | Input (I) Output (O) | Function |
|-----------|-------|-------------------------|--|
| P3.0-P3.7 | 21-28 | I/O | <p>Port 3 is an 8-bit bidirectional I/O. It also contains the interrupt, timer, serial port and external memory strobe pins that are used by various options. The output latch corresponding to a secondary function must be programmed to a one (1) for that function to operate. Port 3 can sink/source 4 LS-TTL loads. The secondary functions are assigned to the pins of port 3, as follows:</p> <ul style="list-style-type: none"> – R × D (P3.0): serial port's receiver data input (asynchronous) or data input/output (synchronous) – T × D (P3.1): serial port's transmitter data output (asynchronous) or clock output (synchronous) – $\overline{\text{INT}}0$(P3.2): interrupt 0 input/timer 0 gate control input – $\overline{\text{INT}}1$(P3.3): interrupt 1 input/timer 1 gate control input – T0 (P3.4): counter 0 input – T1 (P3.5): counter 1 input – $\overline{\text{WR}}$(P3.6): the write control signal latches the data byte from port 0 into the external data memory – $\overline{\text{RD}}$ (P3.7): the read control signal enables the external data memory to port 0 |

Pin Definitions and Functions (cont'd)

| Symbol | Pin | Input (I) Output (O) | Function |
|-----------------|---------|-------------------------|--|
| P1.7 - P1.0 | 29 - 36 | I/O | <p>Port 1 is an 8-bit bidirectional I/O port .It is used for the low-order address byte during program verification. It also contains the interrupt, timer, clock, capture and compare pins that are used by various options. The output latch must be programmed to a one (1) for that function to operate (except when used for the compare functions). The secondary functions are assigned to the port 1 pins as follows:</p> <ul style="list-style-type: none"> - INT3/CC0 (P1.0): interrupt 3 input / compare 0 output / capture 0 input - INT4/CC1 (P1.1): interrupt 4 input / compare 1 output / capture 1 input - INT5/CC2 (P1.2): interrupt 5 input / compare 2 output / capture 2 input - INT6/CC3 (P1.3): interrupt 6 input / compare 3 output / capture 3 input - $\overline{\text{INT2}}$(P1.4): interrupt 2 input - T2EX (P1.5): timer 2 external reload trigger input - CLKOUT (P1.6): system clock output - T2 (P1.7): counter 2 input |
| V_{BB} | 37 | | Substrate pin. Must be connected to V_{SS} through a capacitor (47 to 100 nF) for proper operation of the A/D converter. |
| XTAL2 | 39 | - | XTAL2 is the output from the oscillator's amplifier. Input to the internal timing circuitry. A crystal, ceramic resonator, or external source can be used. |
| XTAL1 | 40 | - | XTAL1 is the input to the oscillator's high gain amplifier. Required when a crystal or ceramic resonator is used. Connect to V_{SS} when external source is used on XTAL2. |

Pin Definitions and Functions (cont'd)

| Symbol | Pin | Input (I) Output (O) | Function |
|--------------------------|--------|-------------------------|---|
| P2.0-P2.7 | 41- 48 | I/O | Port 2 is an 8-bit quasi-bidirectional I/O port. It also emits the high-order address byte when accessing external memory. It is used for the high-order address and the control signals during program verification. Port 2 can sink/source 4 LS-TTL loads. |
| $\overline{\text{PSEN}}$ | 49 | O | The program store enable output is a control signal that enables the external program memory to the bus during external fetch operations. It is activated every six oscillator periods except during external data memory accesses. Remains high during internal program execution. |
| ALE | 50 | O | Provides address latch enable output used for latching the address into external memory during normal operation. It is activated every six oscillator periods except during an external data memory access. |
| $\overline{\text{EA}}$ | 51 | I | When held at a TTL high level, the SAB 80515 executes instructions from the internal ROM when the PC is less than 8192. When held at a TTL low level, the SAB 80515 fetches all instructions from external program memory. For the SAB 80535 this pin must be tied low. |
| P0.0-P0.7 | 52-59 | I/O | Port 0 is an 8-bit open-drain bidirectional I/O port. It is also the multiplexed low-order address and data bus when using external memory. It is used for data output during program verification. Port 0 can sink/source 8 LS-TTL loads. |
| P5.7-P5.0 | 60-67 | I/O | Port 5 is an 8-bit quasi-bidirectional I/O port. Port 5 can sink/source 4 LS-TTL loads. |
| V_{CC} | 68 | | POWER SUPPLY (+ 5 V power supply during normal operation and program verification) |
| V_{SS} | 38 | | GROUND (0 V) |

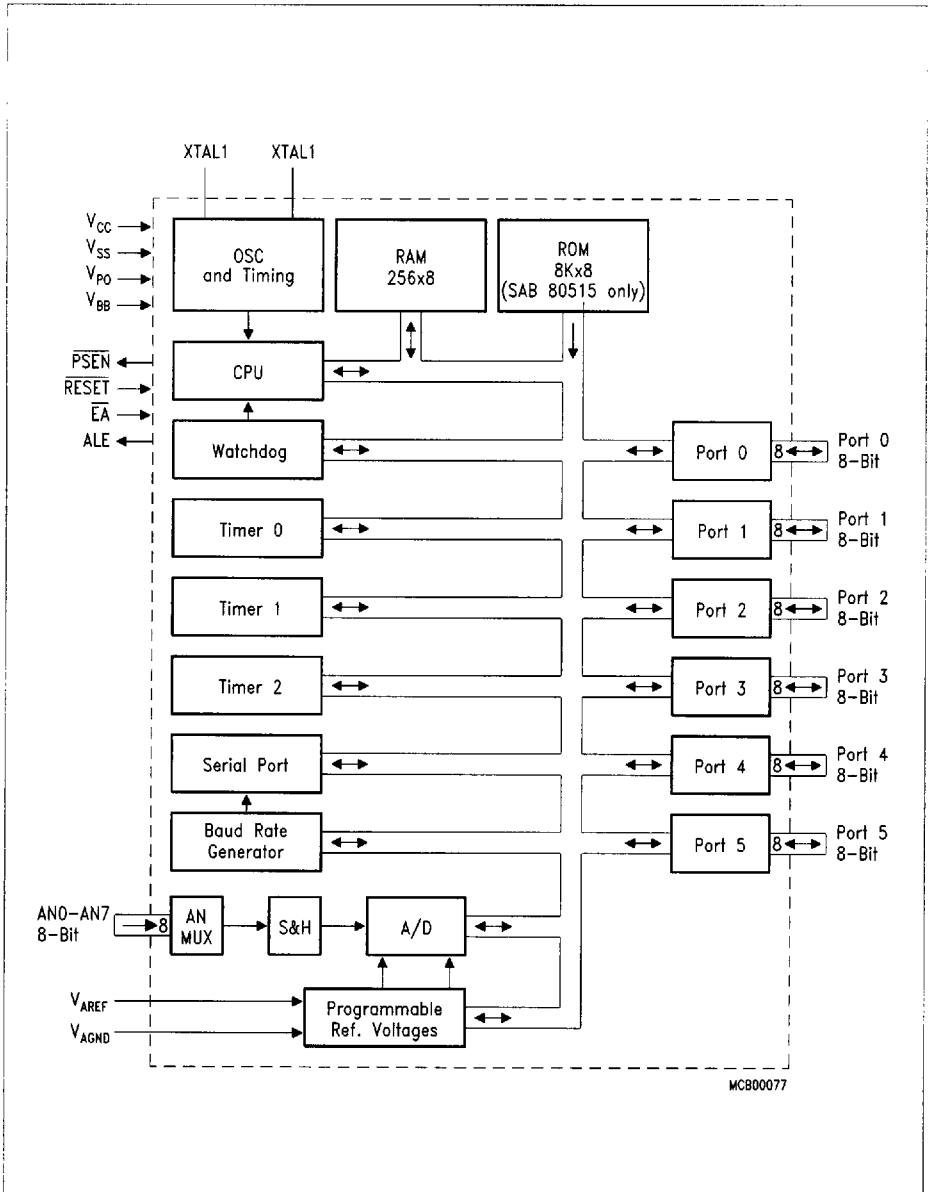


Figure 1
Block Diagram

Functional Description

The architecture of the SAB 80515 is based on the SAB 8051 microcontroller family. The following features of the SAB 80515 are fully compatible with the SAB 8051 features:

- Instruction set
- External memory expansion interface (port 0 and port 2)
- Full-duplex serial port
- Timer/counter 0 and 1
- Alternate functions on port 3
- The lower 128 bytes of internal RAM and the lower 4 Kbytes of internal ROM

The SAB 80515 additionally contains 128 bytes of internal RAM and 4 Kbytes of internal ROM, which results in a total of 256 bytes of RAM and 8 Kbytes of ROM on chip. The SAB 80515 has a new 16-bit timer/counter with a 2:1 prescaler, reload mode, compare and capture capability. It also contains a 16-bit watchdog timer, an 8-bit A/D converter with programmable reference voltages, two additional quasi-bidirectional 8-bit ports, one 8-bit input port for analog signals, and a programmable clock output ($f_{OSC}/12$). Furthermore, the SAB 80515 has a powerful interrupt structure with 12 vectors and 4 programmable priority levels.

Figure 1 shows a block diagram of the SAB 80515.

CPU

The SAB 80515 is efficient both as a controller and as an arithmetic processor. It has extensive facilities for binary and BCD arithmetic and excels in its bit-handling capabilities. Efficient use of program memory results from an instruction set consisting of 44% one-byte, 41% two-byte, and 15% three-byte instructions. With a 12 MHz crystal, 58% of the instructions execute in 1.0 μ s.

Memory Organization

The SAB 80515 manipulates operands in the four memory address spaces described in the following. (Figure 2 illustrates the memory address spaces of the SAB 80515).

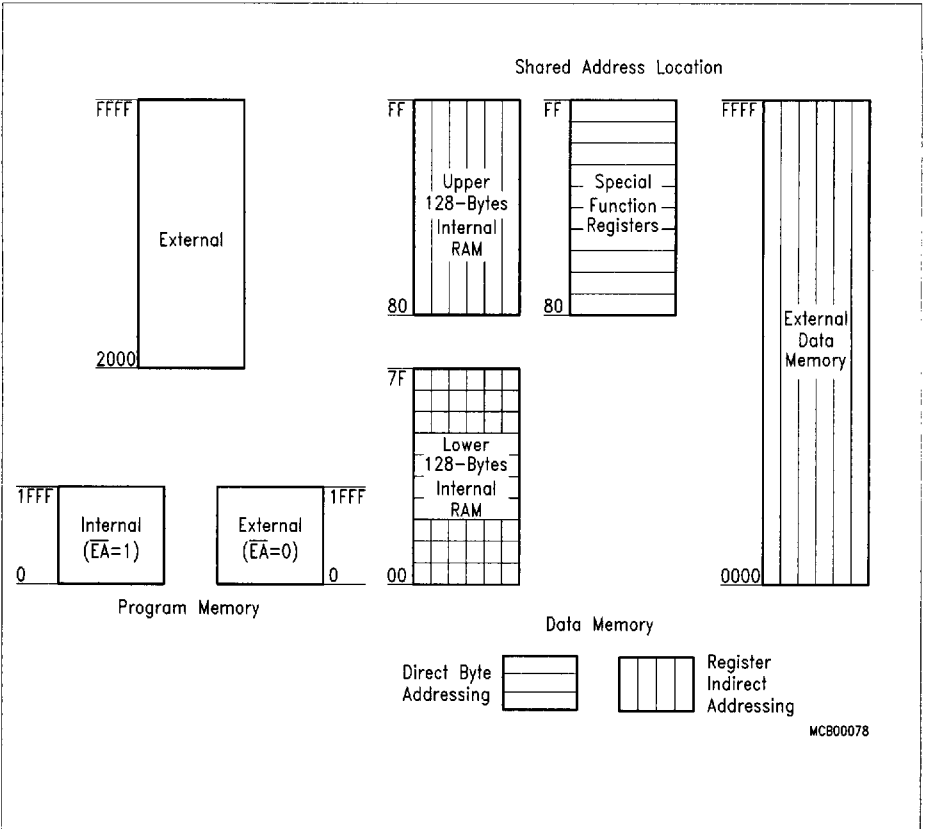


Figure 2
Memory Address Spaces

Program memory

The SAB 80515 has 8 Kbyte of on-chip ROM, while the SAB 80535 has no internal ROM. The program memory can be externally expanded up to 64 Kbytes. If the \overline{EA} pin is held high, the SAB 80515 executes out of internal ROM unless the address exceeds $1FFF_H$. Locations 2000_H through $0FFFF_H$ are then fetched from the external program memory. If the \overline{EA} pin is held low, the SAB 80515 fetches all instructions from the external program memory. Since the SAB 80535 has no internal ROM, pin \overline{EA} must be tied low when using this component.

Data Memory

The data memory address space consists of an internal and an external memory space. The internal data memory is divided into three physically separate and distinct blocks: the lower 128 bytes of RAM, the upper 128 bytes of RAM, and the 128-byte special function register (SFR) area. While the upper 128 bytes of data memory and the SFR area share the same address locations, they are accessed through different addressing modes. The lower 128 bytes of data memory can be accessed through direct or register indirect addressing; the upper 128 bytes of RAM can be accessed through register indirect addressing; the special function registers are accessible through direct addressing.

Four 8-register banks, each bank consisting of eight 8-bit multi-purpose registers, occupy locations 0 through $1F_H$ in the lower RAM area. The next 16 bytes, locations 20_H through $2F_H$, contain 128 directly addressable bit locations. The stack can be located anywhere in the internal data memory address space, and the stack depth can be expanded up to 256 bytes. The external data memory can be expanded up to 64 Kbytes and can be accessed by instructions that use a 16-bit or an 8-bit address.

Special Function Registers

All registers, except the program counter and the four 8-register banks, reside in the special function register area. The 41 special function registers (SFR's) include arithmetic registers, pointers, and registers that provide an interface between the CPU and the on-chip peripheral functions. There are also 128 directly addressable bits within the SFR area. The special function registers are listed in the following table:

In table 1 they are organized in numeric order of their addresses. In table 2 they are organized in groups which refer to the functional blocks of the SAB 80515/80535.

Table 1
Special Function Register

| Address | Register | Contents after Reset | Address | Register | Contents after Reset |
|-----------------|--------------------|--------------------------------------|-----------------|--------------------|--------------------------------------|
| 80 _H | P0 ¹⁾ | 0FF _H | 98 _H | SCON ¹⁾ | 00 _H |
| 81 _H | SP | 07 _H | 99 _H | SBUF | XXXX XXXX _B |
| 82 _H | DPL | 00 _H | 9A _H | reserved | XX _H ²⁾ |
| 83 _H | DPH | 00 _H | 9B _H | reserved | XX _H ²⁾ |
| 84 _H | reserved | XX _H ²⁾ | 9C _H | reserved | XX _H ²⁾ |
| 85 _H | reserved | XX _H ²⁾ | 9D _H | reserved | XX _H ²⁾ |
| 86 _H | reserved | XX _H ²⁾ | 9E _H | reserved | XX _H ²⁾ |
| 87 _H | PCON | 000X 0000 _B ²⁾ | 9F _H | reserved | XX _H ²⁾ |
| 88 _H | TCON ¹⁾ | 00 _H | A0 _H | P2 ¹⁾ | 0FF _H |
| 89 _H | TMOD | 00 _H | A1 _H | reserved | XX _H ²⁾ |
| 8A _H | TLO | 00 _H | A2 _H | reserved | XX _H ²⁾ |
| 8B _H | TL1 | 00 _H | A3 _H | reserved | XX _H ²⁾ |
| 8C _H | TH0 | 00 _H | A4 _H | reserved | XX _H ²⁾ |
| 8D _H | TH1 | 00 _H | A5 _H | reserved | XX _H ²⁾ |
| 8E _H | reserved | XX _H ²⁾ | A6 _H | reserved | XX _H ²⁾ |
| 8F _H | reserved | XX _H ²⁾ | A7 _H | reserved | XX _H ²⁾ |
| 90 _H | P1 ¹⁾ | 0FF _H | A8 _H | IEN0 ¹⁾ | 00 _H |
| 91 _H | reserved | XX _H ²⁾ | A9 _H | IP0 | X000 0000 _B ²⁾ |
| 92 _H | reserved | XX _H ²⁾ | AA _H | reserved | XX _H ²⁾ |
| 93 _H | reserved | XX _H ²⁾ | AB _H | reserved | XX _H ²⁾ |
| 94 _H | reserved | XX _H ²⁾ | AC _H | reserved | XX _H ²⁾ |
| 95 _H | reserved | XX _H ²⁾ | AD _H | reserved | XX _H ²⁾ |
| 96 _H | reserved | XX _H ²⁾ | AE _H | reserved | XX _H ²⁾ |
| 97 _H | reserved | XX _H ²⁾ | AF _H | reserved | XX _H ²⁾ |

¹⁾ Bit-addressable Special Function Register

²⁾ X means that the value is indeterminate and the location is reserved

Table 1
Special Function Register (cont'd)

| Address | Register | Contents after Reset | Address | Register | Contents after Reset |
|-----------------|---------------------|--------------------------------------|-----------------|-------------------|--------------------------------------|
| B0 _H | P3 ¹⁾ | 0FF _H | D0 _H | PSW ¹⁾ | 00 _H |
| B1 _H | reserved | XX _H ²⁾ | D1 _H | reserved | XX _H ²⁾ |
| B2 _H | reserved | XX _H ²⁾ | D2 _H | reserved | XX _H ²⁾ |
| B3 _H | reserved | XX _H ²⁾ | D3 _H | reserved | XX _H ²⁾ |
| B4 _H | reserved | XX _H ²⁾ | D4 _H | reserved | XX _H ²⁾ |
| B5 _H | reserved | XX _H ²⁾ | D5 _H | reserved | XX _H ²⁾ |
| B6 _H | reserved | XX _H ²⁾ | D6 _H | reserved | XX _H ²⁾ |
| B7 _H | reserved | XX _H ²⁾ | D7 _H | reserved | XX _H ²⁾ |
| B8 _H | IEN1 ¹⁾ | 00 _H | D8 _H | ADCON | 00X0 0000 _B ²⁾ |
| B9 _H | IP1 | XX00 0000 _B ²⁾ | D9 _H | ADDAT | 00 _H |
| BA _H | reserved | XX _H ²⁾ | DA _H | DAPR | 00 _H |
| BB _H | reserved | XX _H ²⁾ | DB _H | P6 | |
| BC _H | reserved | XX _H ²⁾ | DC _H | reserved | XX _H ²⁾ |
| BD _H | reserved | XX _H ²⁾ | DD _H | reserved | XX _H ²⁾ |
| BE _H | reserved | XX _H ²⁾ | DE _H | reserved | XX _H ²⁾ |
| BF _H | reserved | XX _H ²⁾ | DF _H | reserved | XX _H ²⁾ |
| C0 _H | IRCON ¹⁾ | 00 _H | E0 _H | ACC ¹⁾ | 00 _H |
| C1 _H | CCEN | 00 _H | E1 _H | reserved | XX _H ²⁾ |
| C2 _H | CCL1 | 00 _H | E2 _H | reserved | XX _H ²⁾ |
| C3 _H | CCH1 | 00 _H | E3 _H | reserved | XX _H ²⁾ |
| C4 _H | CCL2 | 00 _H | E4 _H | reserved | XX _H ²⁾ |
| C5 _H | CCH2 | 00 _H | E5 _H | reserved | XX _H ²⁾ |
| C6 _H | CCL3 | 00 _H | E6 _H | reserved | XX _H ²⁾ |
| C7 _H | CCH3 | 00 _H | E7 _H | reserved | XX _H ²⁾ |
| C8 _H | T2CON ¹⁾ | 00 _H | E8 _H | P4 ¹⁾ | 0FF _H |
| C9 _H | reserved | XX _H ²⁾ | E9 _H | reserved | XX _H ²⁾ |
| CA _H | CRCL | 00 _H | EA _H | reserved | XX _H ²⁾ |
| CB _H | CRCH | 00 _H | EB _H | reserved | XX _H ²⁾ |
| CC _H | TL2 | 00 _H | EC _H | reserved | XX _H ²⁾ |
| CD _H | TH2 | 00 _H | ED _H | reserved | XX _H ²⁾ |
| CE _H | reserved | XX _H ²⁾ | EE _H | reserved | XX _H ²⁾ |
| CF _H | reserved | XX _H ²⁾ | EF _H | reserved | XX _H ²⁾ |

¹⁾ Bit-addressable Special Function Register

²⁾ X means that the value is indeterminate and the location is reserved

Table 1
Special Function Register (cont'd)

| Address | Register | Contents after Reset | Address | Register | Contents after Reset |
|-----------------|-----------------|-------------------------------|-----------------|------------------|-------------------------------|
| F0 _H | B ¹⁾ | 00 _H | F8 _H | P5 ¹⁾ | 0FF _H |
| F1 _H | reserved | XX _H ²⁾ | F9 _H | reserved | XX _H ²⁾ |
| F2 _H | reserved | XX _H ²⁾ | FA _H | reserved | XX _H ²⁾ |
| F3 _H | reserved | XX _H ²⁾ | FB _H | reserved | XX _H ²⁾ |
| F4 _H | reserved | XX _H ²⁾ | FC _H | reserved | XX _H ²⁾ |
| F5 _H | reserved | XX _H ²⁾ | FD _H | reserved | XX _H ²⁾ |
| F6 _H | reserved | XX _H ²⁾ | FE _H | reserved | XX _H ²⁾ |
| F7 _H | reserved | XX _H ²⁾ | FF _H | reserved | XX _H ²⁾ |

¹⁾ Bit-addressable Special Function Register

²⁾ X means that the value is indeterminate and the location is reserved

Table 2
Special Function Registers - Functional Blocks

| Block | Symbol | Name | Address | Contents after Reset |
|--|---------------------|------------------------------------|--|--------------------------------------|
| CPU | ACC | Accumulator | 0E0 _H ¹⁾ | 00 _H |
| | B | B-Register | 0F0 _H ¹⁾ | 00 _H |
| | DPH | Data Pointer, High Byte | 083 _H | 00 _H |
| | DPL | Data Pointer, Low Byte | 082 _H | 00 _H |
| | PSW | Program Status Word Register | 0D0 _H ¹⁾ | 00 _H |
| | SP | Stack Pointer | 081 _H | 07 _H |
| A/D-Converter | ADCON ²⁾ | A/D Converter Control Register | 0D8 _H ¹⁾ | 00X0 0000 _B ³⁾ |
| | ADDAT | A/D Converter Data Register | 09D _H | 00 _H |
| | DAPR | A/D Converter Program Register | 0DA _H | 00 _H) |
| Interrupt System | IEN0 ²⁾ | Interrupt Enable Register 0 | 0A8 _H ¹⁾ | 00 _H |
| | IEN1 ²⁾ | Interrupt Enable Register 1 | 0B8 _H ¹⁾ | 00 _H |
| | IP0 ²⁾ | Interrupt Priority Register 0 | 0A9 _H | X000 0000 _B ³⁾ |
| | IP1 | Interrupt Priority Register 1 | 0B9 _H | XX00 0000 _B ³⁾ |
| | IRCON | Interrupt Request Control Register | 0C0 _H ¹⁾ | 00 _H |
| | TCON ²⁾ | Timer Control Register | 88 _H ¹⁾ | 00 _H |
| | T2CON ²⁾ | Timer 2 Control Register | 0C8 _H ¹⁾ | 00 _H |
| Compare/ Capture- Unit Compare/ Capture- Unit (CCU) (cont'd) (CCU) | CCEN | Comp./Capture Enable Reg. | 0C1 _H | 00 _H |
| | CCH1 | Comp./Capture Reg. 1, High Byte | 0C3 _H | 00 _H |
| | CCH2 | Comp./Capture Reg. 2, High Byte | 0C5 _H | 00 _H |
| | CCH3 | Comp./Capture Reg. 3, High Byte | 0C7 _H | 00 _H |
| | CCL1 | Comp./Capture Reg. 1, Low Byte | 0C2 _H | 00 _H |
| | CCL2 | Comp./Capture Reg. 2, Low Byte | 0C4 _H | 00 _H |
| | CCL3 | Comp./Capture Reg. 3, Low Byte | 0C6 _H | 00 _H |
| | CRCH | Com./Rel./Capt. Reg. High Byte | 0CB _H | 00 _H |
| | CRCL | Com./Rel./Capt. Reg. Low Byte | 0CA _H | 00 _H |
| | TH2 | Timer 2, High Byte | 0CD _H | 00 _H |
| | TL2 | Timer 2, Low Byte | 0CC _H | 00 _H |
| | | T2CON ²⁾ | Timer 2 Control Register ¹⁾ | 0C8 _H ¹⁾ |

1) Bit-addressable special function registers

2) This special function register is listed repeatedly since some bits of it also belong to other functional blocks

3) X means that the value is indeterminate

Table 2
Special Function Registers- Functional Blocks (cont'd)

| Block | Symbol | Name | Address | Contents after Reset |
|---------------------|---------------------|-------------------------------|--------------------------------|--------------------------------------|
| Ports | P0 | Port 0 | 80 _H ¹⁾ | 0FF _H |
| | P1 | Port 1 | 90 _H ¹⁾ | 0FF _H |
| | P2 | Port 2 | 0A0 _H ¹⁾ | 0FF _H |
| | P3 | Port 3 | 0B0 _H ¹⁾ | 0FF _H |
| | P4 | Port 4 | 0E8 _H ¹⁾ | 0FF _H |
| | P5 | Port 5 | 0F8 _H ¹⁾ | 0FF _H |
| | P6 | Port 6, Analog/Digital Input | 0DB _H | |
| Pow. Sav. Modes | PCON ²⁾ | Power Control Register | 087 _H | 000X 0000 B ²⁾ |
| Serial Channels | ADCON ²⁾ | A/D Converter Control Reg. | 0D8 _H ¹⁾ | 00X0 0000 _B ³⁾ |
| | PCON ²⁾ | Power Control Register | 087 _H | 000X 0000 _B ³⁾ |
| | SBUF | Serial Channel Buffer Reg. | 099 _H | XXXX XXXX _B ³⁾ |
| | SCON | Serial Channel Control Reg. | 098 _H ¹⁾ | 00 _H |
| Timer 0/ Timer 1 | TCON ²⁾ | Timer Control Register | 088 _H ¹⁾ | 00 _H |
| | TH0 | Timer 0, High Byte | 08C _H | 00 _H |
| | TH1 | Timer 1, High Byte | 08D _H | 00 _H |
| | TL0 | Timer 0, Low Byte | 08A _H | 00 _H |
| | TL1 | Timer 1, Low Byte | 08B _H | 00 _H |
| | TMOD | Timer Mode Register | 089 _H | 00 _H |
| Watchdog | IEN0 ²⁾ | Interrupt Enable Register 0 | 0A8 _H ¹⁾ | 00 _H |
| | IEN1 ²⁾ | Interrupt Enable Register 1 | 0B8 _H ¹⁾ | 00 _H |
| | IPO ²⁾ | Interrupt Priority Register 0 | 0A9 _H | X000 0000 _B ³⁾ |

¹⁾ Bit-addressable special function registers

²⁾ This special function register is listed repeatedly since some bits of it also belong to other functional blocks.

³⁾ X means that the value is indeterminate and the location is reserved

Serial Port

The serial port of the SAB 80515 enables full duplex communication between microcontrollers or between microcontroller and peripheral devices. The serial port can operate in 4 modes:

- Mode 0: Shift register mode. Serial data enters and exits through RxD. TxD outputs the shift clock. 8 bits are transmitted/received: 8 data bits (LSB first). The baud rate is fixed at 1/12 of the oscillator frequency.
- Mode 1: 10 bits are transmitted (through RxD) or received (through TxD): a start bit (0), 8 data bits (LSB first), and a stop bit (1). The baud rate is variable.
- Mode 2: 11 bits are transmitted (through RxD) or received (through TxD): a start bit (0), 8 data bits (LSB first), a programmable 9th data bit, and a stop bit (1). The baud rate is programmable to either 1/32 or 1/64 of the oscillator frequency.
- Mode 3: 11 bits are transmitted (through TxD) or received (through RxD): a start bit (0), 8 data bits (LSB first), a programmable 9th data bit, and a stop bit (1). Mode 3 is identical to mode 2 except for the baud rate. The baud rate in mode 3 is variable.

The variable baud rates in modes 1 and 3 can be generated by timer 1 or an internal baud rate generator.

A/D Converter

The 8-bit A/D converter of the SAB 80515 has eight multiplexed analog inputs (Port 6) and uses the successive approximation method.

It takes 5 machine cycles to sample an analog signal (during this sample time the input signal should be held constant); the total conversion time (including sample time) is 15 machine cycles (15 μ s at 12 MHz oscillator frequency). Conversion can be programmed to be single or continuous; at the end of a conversion an interrupt can be generated.

A unique feature is the capability of internal reference voltage programming. The internal reference voltages V_{intAREF} and V_{intAGND} for the A/D converter both are programmable to one of 16 steps with respect to the external reference voltages. This feature permits a conversion with a smaller internal reference voltage range to gain a higher resolution. In addition, the internal reference voltages can easily be adapted by software to the desired analog input voltage range.

Figure 3 shows a block diagram of the A/D converter.

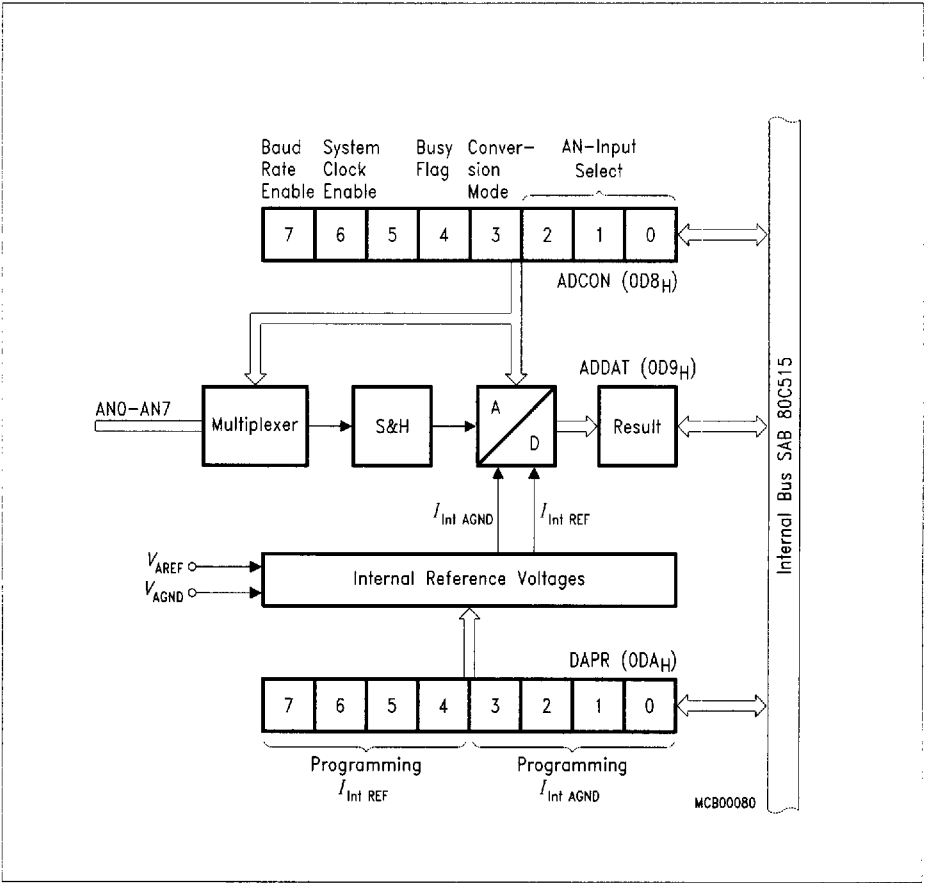


Figure 3
Block Diagram of the A/D Converter

Timer/Counters

The SAB 80515 contains three 16-bit timer/counters which are useful in many applications for timing and counting. The input clock for each timer/counter is 1/12 of the oscillator frequency in the timer operation or can be taken from an external clock source for the counter operation (maximum count rate is 1/24 of the oscillator frequency).

– Timer/counter 0 and 1

These timer/counters can operate in four modes:

Mode 0: 8-bit timer/counter with 32:1 prescaler

Mode 1: 16-bit timer/counter

Mode 2: 8-bit timer/counter with 8-bit auto-reload

Mode 3: Timer/counter 0 is configured as one 8-bit timer/counter and one 8-bit timer; timer/counter 1 in this mode holds its count.

External inputs $\overline{\text{INT0}}$ and $\overline{\text{INT1}}$ can be programmed to function as a gate for timer/counters 0 and 1 to facilitate pulse width measurements.

– Timer/counter 2

Timer/counter 2 of the SAB 80515 is a 16-bit timer/counter with several additional features. It offers a 2:1 prescaler, a selectable gate function, and compare, capture and reload functions. Corresponding to the 16-bit timer register there are four 16-bit capture/compare registers, one of them can be used to perform a 16-bit reload on a timer overflow or external event. Each of these registers corresponds to a pin of port 1 for capture input/compare output.

Figure 4 shows a block diagram of the timer/counter 2.

Reload

A 16-bit reload can be performed with the 16-bit CRC register, which is a concatenation of the 8-bit registers CRCL and CRCH. There are two modes from which to select:

Mode 0: Reload is caused by a timer 2 overflow (auto-reload).

Mode 1: Reload is caused in response to a negative transition at pin T2EX (P1.5), which can also request an interrupt.

Capture

This feature permits saving the actual timer/counter contents into a selected register upon an external event or a software write operation. Two modes are provided to latch the current 16-bit value in timer 2 registers into a dedicated capture register:

Mode 0: Capture is performed in response to a transition at the corresponding port 1 pins CC0 to CC3.

Mode 1: Write operation into the low-order byte of the dedicated capture register causes the timer 2 contents to be latched into this register.

Compare

In the compare mode, the 16-bit values stored in the dedicated compare registers are compared to the contents of the timer 2 registers. If the count value in the timer 2 registers matches one of the stored values, an appropriate output signal is generated and an interrupt is requested. Two compare modes are provided:

Mode 0: Upon a match the output signal changes from low to high. It goes back to a low level when timer 2 overflows.

Mode 1: The transition of the output signal can be determined by software.
A timer 2 overflow causes no output change.

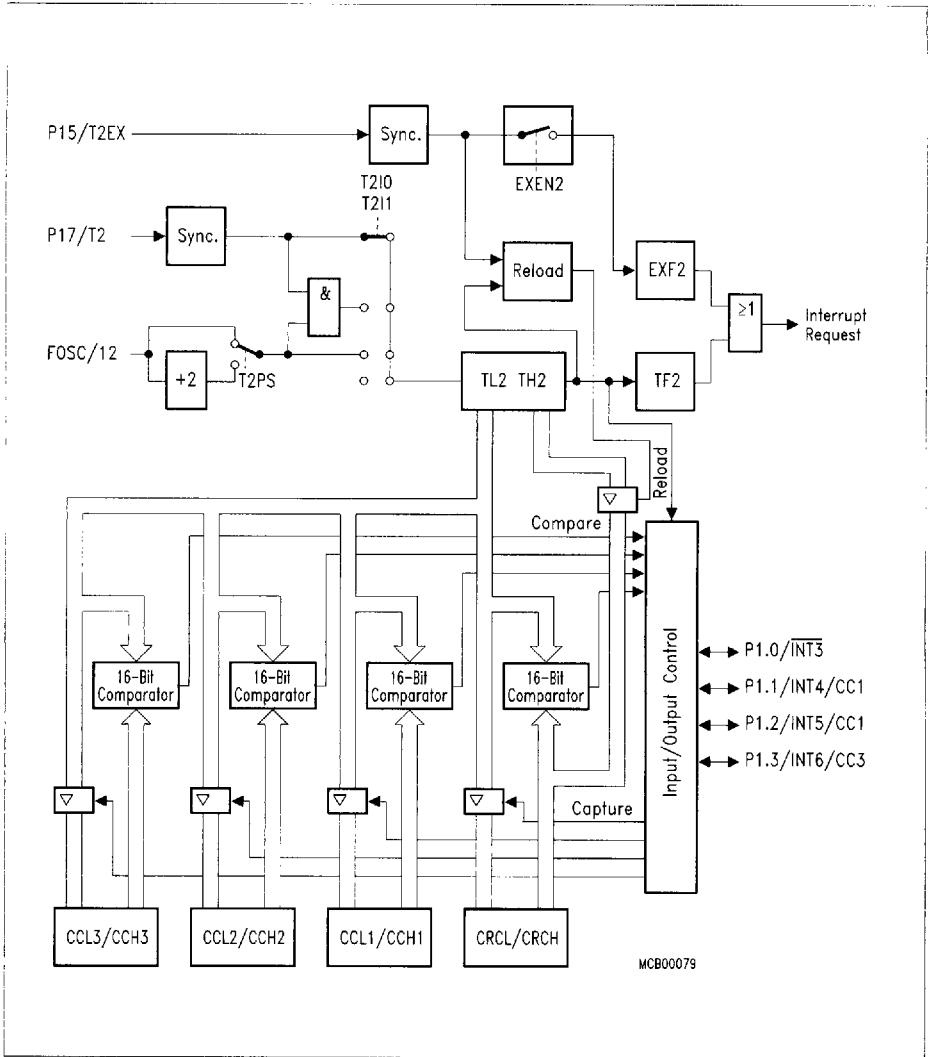


Figure 4
Block Diagram of Timer/Counter 2

Interrupt Structure

The SAB 80515 has 12 interrupt vectors with the following vector addresses and request flags:

Table 3
Interrupt Sources and Vectors

| Source (Request Flags) | Vector Address | Vector |
|------------------------|-------------------|-------------------------|
| IE0 | 0003 _H | External interrupt 0 |
| TF0 | 000B _H | Timer 0 interrupt |
| IE1 | 0013 _H | External interrupt 1 |
| TF1 | 001B _H | Timer 1 interrupt |
| RI + TI | 0023 _H | Serial port interrupt |
| TF2 + EXF2 | 002B _H | Timer 2 interrupt |
| IADC | 0043 _H | A/D converter interrupt |
| IEX2 | 004B _H | External interrupt 2 |
| IEX3 | 0053 _H | External interrupt 3 |
| IEX4 | 005B _H | External interrupt 4 |
| IEX5 | 0063 _H | External interrupt 5 |
| IEX6 | 006B _H | External interrupt 6 |

Each interrupt vector can be individually enabled/disabled. The minimum response time to an interrupt request is more than 3 machine cycles and less than 9 machine cycles.

Figure 5 shows the interrupt request sources.

External interrupts 0 and 1 can be activated by a low-level or a negative transition (selectable) at their corresponding input pin, external interrupts 2 and 3 can be programmed for triggering on a negative or a positive transition. The external interrupts 3 to 6 are combined with the corresponding alternate functions compare (output) and capture (input) on port 1.

For programming of the priority levels the interrupt vectors are combined to pairs. Each pair can be programmed individually to one of four priority levels by setting or clearing one bit in the special function register IP0 and one in IP1. Figure 6 shows the priority level structure.

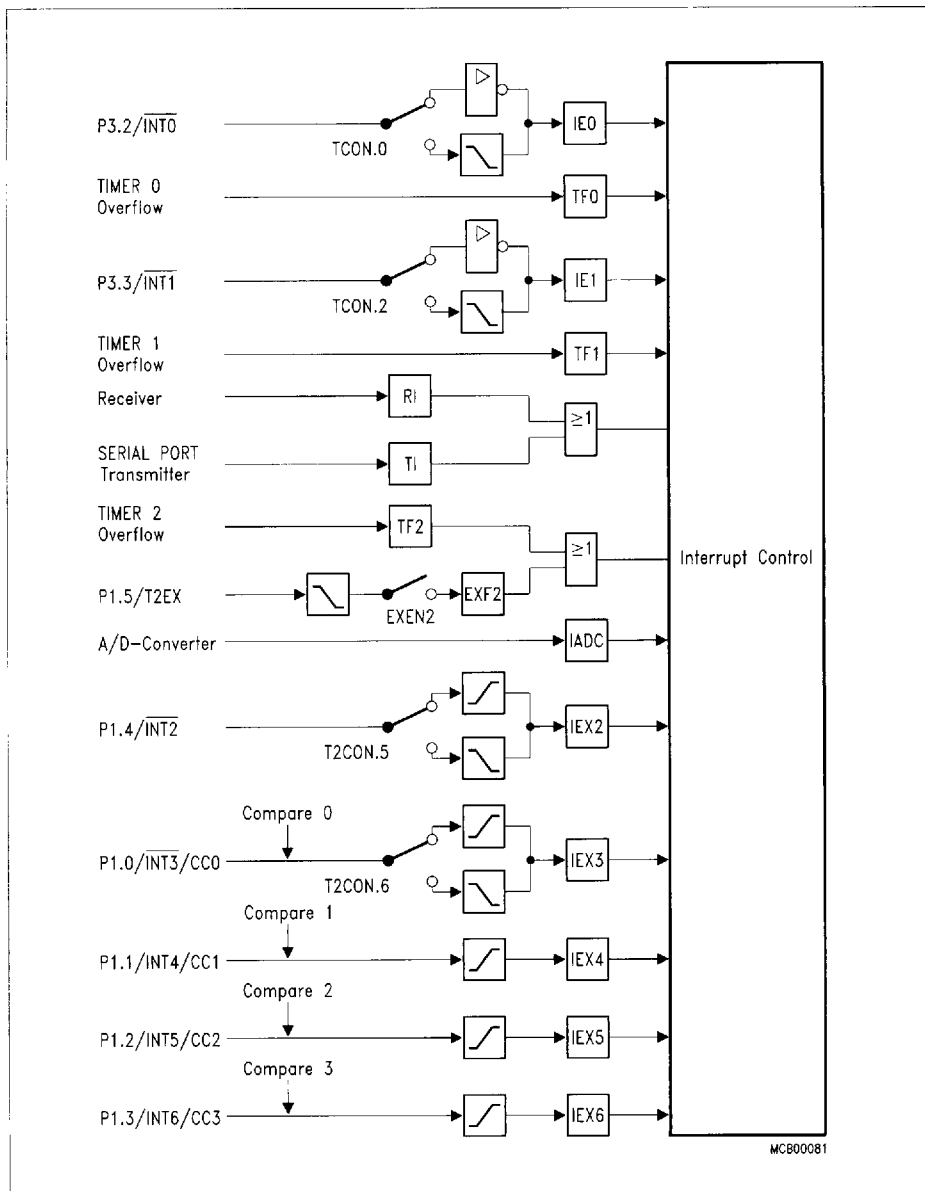


Figure 5
Interrupt Request Sources

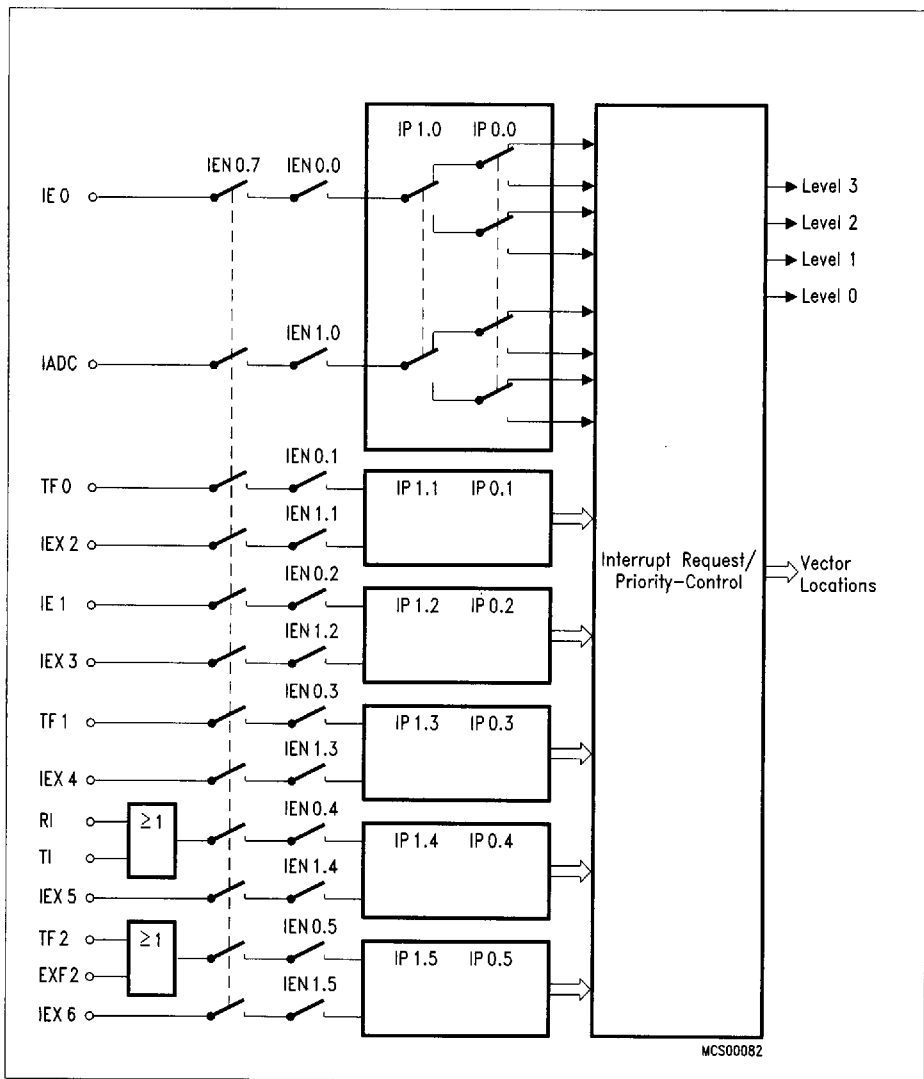


Figure 6
Priority Level Structure

I/O Ports

The SAB 80515 has six 8-bit I/O ports and one 8-bit input port. Port 0 is an open-drain bidirectional I/O port, while ports 1 to 5 are quasi-bidirectional I/O ports with internal pull-up resistors. That means, when configured as inputs, ports 1 to 5 will be pulled high and will source current when externally pulled low. Port 0 will float when configured as input.

Port 0 and port 2 can be used to expand the program and data memory externally. During an access to external memory, port 0 emits the low-order address byte and reads/writes the data byte, while port 2 emits the high-order address byte. In this function, port 0 is not an open-drain port, but uses a strong internal pullup FET.

Ports 1 and 3 are provided for several alternate functions, as listed below:

| Port | Symbol | Function |
|------|------------------------------|---|
| P1.0 | $\overline{\text{INT3/CC0}}$ | External interrupt 3 input, compare 0 output, capture 0 input |
| P1.1 | $\overline{\text{INT4/CC1}}$ | External interrupt 4 input, compare 1 output, capture 1 input |
| P1.2 | $\overline{\text{INT5/CC2}}$ | External interrupt 5 input, compare 2 output, capture 2 input |
| P1.3 | $\overline{\text{INT6/CC3}}$ | External interrupt 6 input, compare 3 output, capture 3 input |
| P1.4 | $\overline{\text{INT2}}$ | External interrupt 2 input |
| P1.5 | T2EX | Timer 2 external reload trigger input |
| P1.6 | CLKOUT | System clock output |
| P1.7 | T2 | Timer 2 external counter input |
| P3.0 | RXD | Serial port's receiver data input (asynchronous) or data input/output (synchronous) |
| P3.1 | TXD | Serial port's transmitter data output (asynchronous) or clock output (synchronous) |
| P3.2 | $\overline{\text{INT0}}$ | External interrupt 0 input, timer 0 gate control |
| P3.3 | $\overline{\text{INT1}}$ | External interrupt 1 input, timer 1 gate control |
| P3.4 | T0 | Timer 0 external counter input |
| P3.5 | T1 | Timer 1 external counter input |
| P3.6 | $\overline{\text{WR}}$ | External data memory write strobe |
| P3.7 | $\overline{\text{RD}}$ | External data memory read strobe |

The input port AN0-AN7 is used for analog input signals to the A/D converter.

Watchdog Timer

This feature is provided as a means of graceful recovery from a software upset. After an external reset, the watchdog timer is cleared and stopped. It can be started and cleared by software, but it cannot be stopped. If the software fails to clear the watchdog timer at least every 65532 machine cycles (about 65 ms if a 12 MHz oscillator frequency is used), an internal hardware reset will be initiated.

The reset cause (external reset or reset caused by the watchdog) can be examined by software. To clear the watchdog, two bits in two different special function registers must be set by two consecutive instructions (bits IEN0.6 and IEN1.6). This is done to prevent the watchdog from being cleared by unexpected opcodes.

Instruction Set Summary

The SAB 80515/80535 has the same instruction set as the industry standard 8051 microcontroller.

A pocket guide is available which contains the complete instruction set in functional and hexadecimal order. Furtheron it provides helpful information about Special Function Registers, Interrupt Vectors and Assembler Directives.

Literature Information

| Title | Ordering No. |
|--|---------------------------|
| Microcontroller Family SAB 8051 Pocket Guide | B158-B6599 - X - X - 7600 |

Absolute Maximum Ratings

Ambient temperature under bias

| | |
|---|----------------|
| SAB 80515/80535 | 0 to 70 °C |
| SAB 80515/80535-T40/85 | - 40 to 85 °C |
| Storage temperature | - 65 to 150 °C |
| Voltage on any pins with respect to ground (V_{SS}) | - 0.5 V to 7 V |
| Power dissipation | 2 W |

Note Stresses above those listed under "Absolute Maximum Ratings" may cause permanent damage of the device. Exposure to absolute maximum rating conditions for extended periods may affect device reliability.

DC Characteristics

$V_{CC} = 5 V \pm 10 \%$; $V_{SS} = 0 V$

$T_A = 0$ to 70 °C for the SAB 80515/80535
 $T_A = -40$ to 85 °C for the SAB 80515/80535-T40/85
 $T_A = -40$ to 110 °C for the SAB 80515/80535-T40/110

| Parameter | Symbol | Limit values | | Unit | Test condition |
|--|-----------|--------------|----------------|------|------------------------|
| | | min. | max. | | |
| Input low voltage | V_{IL} | - 0.5 | 0.8 | V | - |
| Input high voltage) (except RESET, XTAL2 | V_{IH} | 2.0 | $V_{CC} - 0.5$ | V | - |
| Input high voltage to XTAL2 | V_{IH1} | 2.5 | $V_{CC} + 0.5$ | V | XTAL1 to V_{SS} |
| Input high voltage to RESET | V_{IH2} | 3.0 | - | V | - |
| Power down voltage | V_{PD} | 3 | 5.5 | V | $V_{CC} = 0 V$ |
| Output low voltage ports 1, 2, 3, 4, 5 | V_{OL} | - | 0.45 | V | $I_{OL} = 1.6 mA^{1)}$ |
| Output low voltage port 0, ALE, PSEN | V_{OL1} | - | 0.45 | V | $I_{OL} = 3.2 mA^{1)}$ |
| Output high voltage ports 1, 2, 3, 4, 5 | V_{OH} | 2.4 | - | V | $I_{OH} = - 80 \mu A$ |
| Output high voltage port 0, ALE, PSEN | V_{OH1} | 2.4 | - | V | $I_{OH} = - 400 \mu A$ |

¹⁾ Capacitive loading on ports 0 and 2 may cause spurious noise pulses to be superimposed on the V_{OL} of ALE and ports 1,3,4,5. The noise is due to external bus capacitance discharging into the port 0 and port 2 pins when these pins make 1-0 transitions during bus operation.

DC Characteristics (cont'd)

| Parameter | Symbol | Limit values | | Unit | Test condition |
|---|----------------------------------|--------------|-------------------|----------------|---------------------------------------|
| | | min. | max. | | |
| Logic 0 input current ports 1, 2, 3, 4, 5 | I_{IL} | - | - 800 | μ A | $V_{IL} = 0.45$ V |
| Logic 0 input current XTAL2 | I_{IL2} | - | - 2.5 | mA | XTAL1 = V_{SS} $V_{IL} = 0.45$ V |
| Input low current to $\overline{\text{RESET}}$ for reset | I_{IL3} | - | - 500 | μ A | $V_{IL} = 0.45$ V |
| Input leakage current to port 0, $\overline{\text{EA}}$ AN0 - AN7 | I_{LI} | - | ± 10 | μ A | 0 V < V_{IN} < V_{CC} |
| Power supply current: ¹⁾ SAB 80515/80535 SAB 80515/80535-T40/85 SAB 80515/80535-T40/110 | I_{CC} I_{CC} I_{CC} | - | 210 230 230 | mA mA mA | all outputs disconnected |
| Power-down current | I_{PD} | - | 3 | mA | $V_{CC} = 0$ V |
| Capacitance of I/O buffer | C_{IO} | - | 10 | pF | $f_C = 1$ MHz |

¹⁾ Capacitive loading on ports 0 and 2 may cause spurious noise pulses to be superimposed on the V_{OL} of ALE and ports 1,3,4,5. The noise is due to external bus capacitance discharging into the port 0 and port 2 pins when these pins make 1-0 transitions during bus operation.

A/D Converter Characteristics

$V_{CC} = 5\text{ V} \pm 10\%$; $V_{SS} = 0\text{ V}$; $V_{AREF} = V_{CC} \pm 5\%$; $V_{AGND} = V_{SS} \pm 0.2\text{ V}$;
 $V_{IntAREF} - V_{IntAGND} \geq 1\text{ V}$; $T_A = 0\text{ to } +70\text{ }^\circ\text{C}$ for SAB 80515/80535
 $T_A = -40\text{ to } +85\text{ }^\circ\text{C}$ for SAB 80515/80535 - T40/85

| Parameter | Symbol | Limit values | | | Unit | Test condition |
|--|----------------|------------------|-----------|------------------|---------------|--|
| | | min. | typ. | max. | | |
| Analog input voltage | V_{AINPUT} | $V_{AGND} - 0.2$ | – | $V_{AREF} + 0.2$ | V | – |
| Analog input capacitance | C_I | – | 25 | – | pF | 1) |
| Load time | t_L | – | – | $2 t_{CY}$ | μs | – |
| Sample time (incl. load time) | t_S | – | – | $5 t_{CY}$ | μs | – |
| Conversion time (including sample time) | t_C | – | – | $13 t_{CY}$ | μs | – |
| Differential non-linearity | DNLE | – | $\pm 1/2$ | ± 1 | LSB | $V_{IntAREF} =$ $V_{AREF} = V_{CC}$ $V_{IntAGND} =$ $V_{AGND} = V_{SS}$ 2) |
| Integral non-linearity | INLE | – | $\pm 1/2$ | ± 1 | LSB | |
| Offset error | | – | $\pm 1/2$ | ± 1 | LSB | |
| Gain error | | – | $\pm 1/2$ | ± 1 | LSB | |
| Total unadjusted error | TUE | – | ± 1 | ± 2 | LSB | |
| V_{AREF} supply current | I_{REF} | – | – | 5 | mA | 2) |
| Internal reference error | $V_{IntREFER}$ | – | ± 5 | ± 30 | mV | 2) |

1) The internal resistance of the analog source must be low enough to assure full loading of the sample capacitance (C_I) during load time (t_L). After charging of the internal capacitance (C_I) in the load time (t_L) the analog input must be held constant for the rest of the sample time (t_S).

2) The differential impedance r_D of the analog reference voltage source must be less than 1 k Ω at reference supply voltage.

AC Characteristics

$V_{CC} = 5\text{ V} \pm 10\%$; $V_{SS} = 0\text{ V}$; (C_L for port 0, ALE and PSEN outputs = 100 pF;
 C_L for all other outputs = 80 pF) $T_A = 0$ to $+70\text{ }^\circ\text{C}$; for SAB 80515/80535
 $T_A = -40$ to $+85\text{ }^\circ\text{C}$; for SAB 80515/80535 - 40/85

| Parameter | Symbol | Limit values | | | | Unit |
|-----------|--------|--------------|------|---|------|------|
| | | 12 MHz clock | | Variable clock 1/ $t_{CLCL} = 1.2\text{ MHz to }12\text{ MHz}$ | | |
| | | min | max. | min. | max. | |

Program Memory Characteristics

| | | | | | | |
|--|---------------|------|-----|-------------------|--------------------|----|
| Cycle Time | t_{CY} | 1000 | — | 12 t_{CLCL} | — | ns |
| ALE pulse width | t_{LHLL} | 127 | — | 2 $t_{CLCL} - 40$ | — | ns |
| Address setup to ALE | t_{AVLL} | 53 | — | $t_{CLCL} - 30$ | — | ns |
| Address hold after ALE | t_{LLAX1} | 48 | — | $t_{CLCL} - 35$ | — | ns |
| ALE to valid instruction in | t_{LLIV} | — | 233 | — | 4 $t_{CLCL} - 100$ | ns |
| ALE to $\overline{\text{PSEN}}$ | t_{LLPL} | 58 | — | $t_{CLCL} - 25$ | — | ns |
| $\overline{\text{PSEN}}$ pulse width | t_{PLPH} | 215 | — | 3 $t_{CLCL} - 35$ | — | ns |
| $\overline{\text{PSEN}}$ to valid instruction in | t_{PLIV} | — | 150 | — | 3 $t_{CLCL} - 100$ | ns |
| Input instruction hold after $\overline{\text{PSEN}}$ | t_{PXIX} | 0 | — | 0 | — | ns |
| Input instruction float after $\overline{\text{PSEN}}$ | $t_{PXIZ}^1)$ | — | 63 | — | $t_{CLCL} - 20$ | ns |
| Address valid after $\overline{\text{PSEN}}$ | $t_{PXAV}^1)$ | 75 | — | $t_{CLCL} - 8$ | — | ns |
| Address to valid instruction in | t_{AVIV} | — | 302 | — | 5 $t_{CLCL} - 115$ | ns |
| Address float to $\overline{\text{PSEN}}$ | t_{AZPL} | 0 | — | 0 | — | ns |

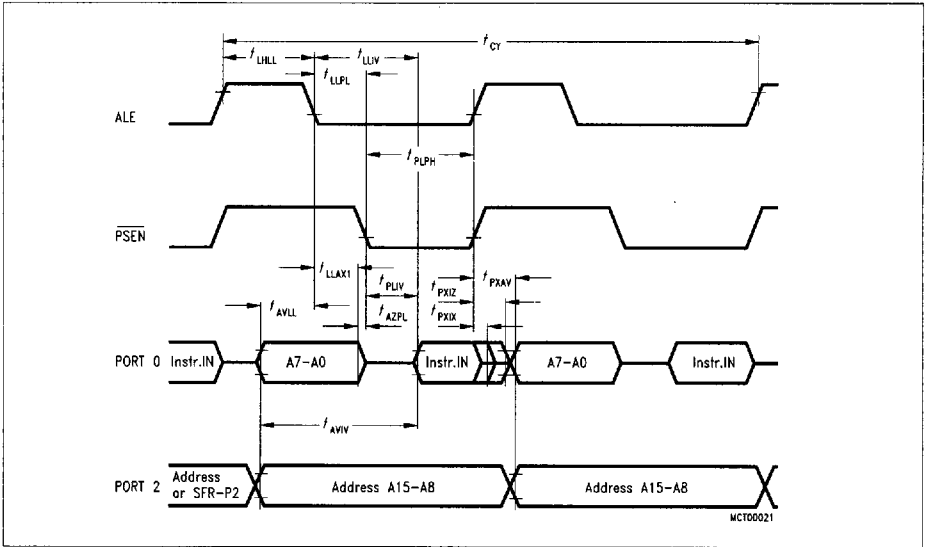
¹⁾ Interfacing the SAB 805156 to devices with float times up to 75 ns is permissible.
This limited bus contention will not cause any damage to port 0 drivers.

| Parameter | Symbol | Limit values | | | | Unit |
|-----------|--------|--------------|------|---|------|------|
| | | 12 MHz clock | | Variable clock $1/t_{CLCL} = 1.2 \text{ MHz to } 12 \text{ MHz}$ | | |
| | | min | max. | min. | max. | |

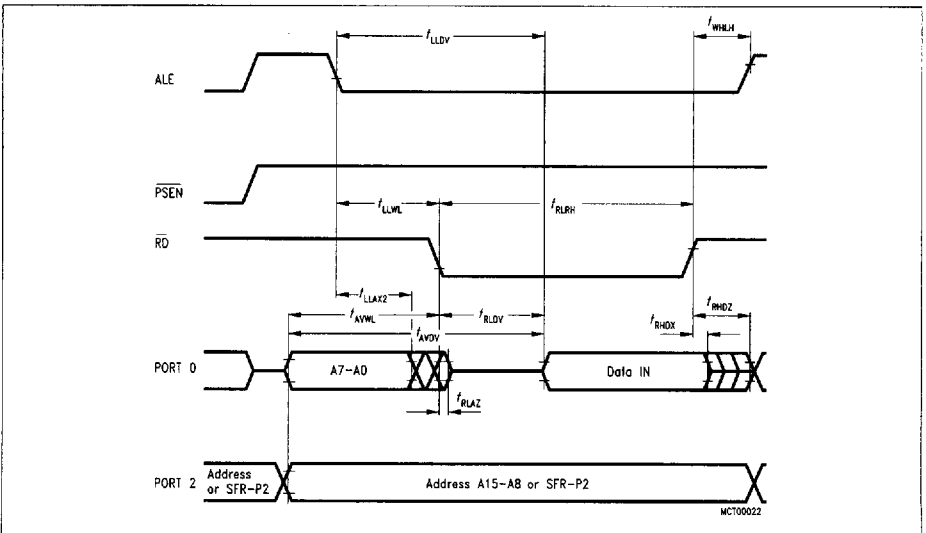
External Data Memory Characteristics

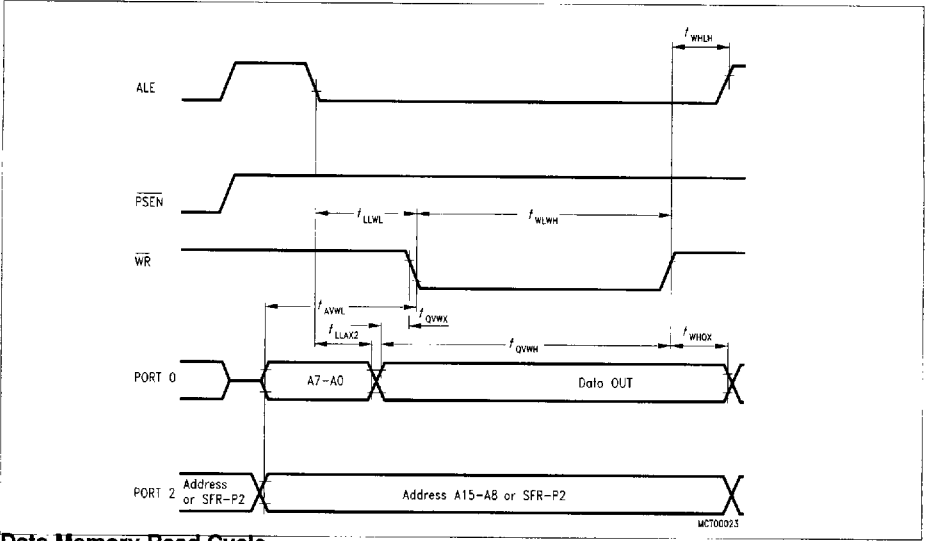
| | | | | | | |
|---|-------------|-----|-----|--------------------|---------------------|----|
| \overline{RD} pulse width | t_{RLRH} | 400 | – | $6 t_{CLCL} - 100$ | – | ns |
| \overline{WR} pulse width | t_{WLWH} | 400 | – | $6 t_{CLCL} - 100$ | – | ns |
| Address hold after ALE | t_{LLAX2} | 132 | – | $2 t_{CLCL} - 35$ | – | ns |
| \overline{RD} to valid data in | t_{RLDV} | – | 252 | – | $5 t_{CLCL} - 165$ | ns |
| DATA hold after \overline{RD} | t_{RHDX} | 0 | – | 0 | – | ns |
| Data float after \overline{RD} | t_{RHDZ} | – | 97 | – | $2 t_{CLCL} - 70$ | ns |
| ALE to valid data in | t_{LLDV} | – | 517 | – | $8 t_{CLCL} - 150$ | ns |
| Address to valid data in | t_{AVDV} | – | 585 | – | $9 t_{nCLCL} - 165$ | ns |
| ALE to \overline{WR} or \overline{RD} | t_{LLWL} | 200 | 300 | $3 t_{CLCL} - 50$ | $3 t_{CLCL} + 50$ | ns |
| Address to \overline{WR} or \overline{RD} | t_{AVWL} | 203 | – | $4 t_{CLCL} - 130$ | – | ns |
| \overline{WR} or \overline{RD} high to ALE high | t_{WHLH} | 43 | 123 | $t_{CLCL} - 40$ | $t_{CLCL} + 40$ | ns |
| Data valid to \overline{WR} transition | t_{QVWX} | 33 | – | $t_{CLCL} - 50$ | – | ns |
| Data setup before \overline{WR} | t_{QVWH} | 433 | – | $7 t_{CLCL} - 150$ | – | ns |
| Data hold after \overline{WR} | t_{WHQX} | 33 | – | $t_{CLCL} - 50$ | – | ns |
| Address float after \overline{RD} | t_{PLAZ} | – | 0 | – | 0 | ns |

Waveforms

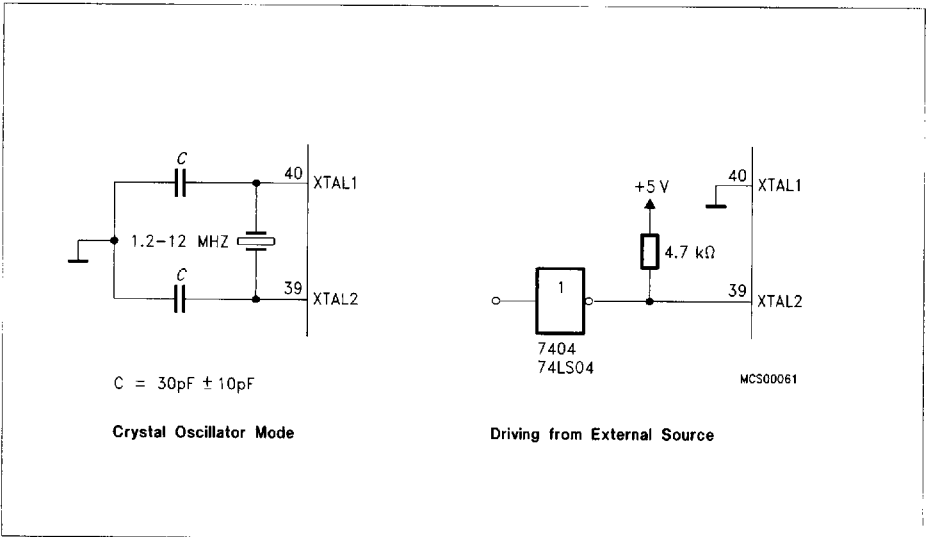


Program Memory Read Cycle





Data Memory Read Cycle



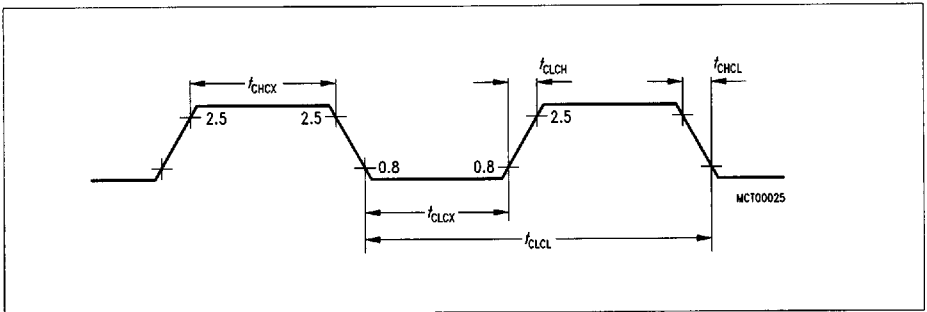
Recommended Oscillator Circuits

AC Characteristics (cont'd)

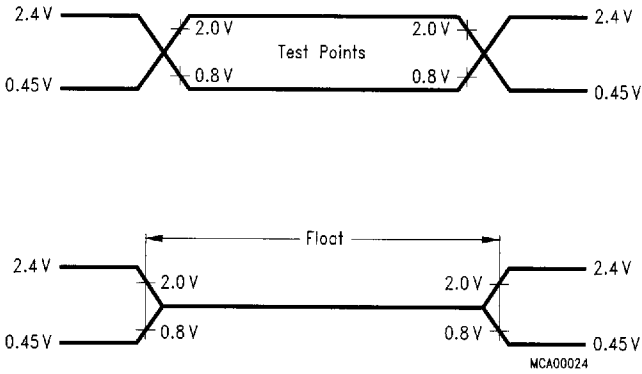
| Parameter | Symbol | Limit values | | Unit |
|-----------|--------|--|------|------|
| | | Variable clock Frequ. = 1.2 MHz to 12 MHz | | |
| | | min. | max. | |

External Clock Drive XTAL2

| | | | | |
|-------------------|------------|------|-----------------------|----|
| Oscillator period | t_{CLCL} | 83.3 | 833.3 | ns |
| High time | t_{CHCX} | 20 | $t_{CLCL} - t_{CLCX}$ | ns |
| Low time | t_{CLCX} | 20 | $t_{CLCL} - t_{CHCX}$ | ns |
| Rise time | t_{CLCH} | - | 20 | ns |
| Fall time | t_{CHCL} | - | 20 | ns |
| Oscillator period | t_{CLCL} | 83.3 | 833.3 | ns |



External Clock Cycle



A.C. testing inputs are driven at 2.4 V for a logic "1" and at 0.45 V for a logic "0".
 Timing measurements are made at 2.0 V for a logic "1" and at 0.8 V for a logic "0".
 For timing purposes, the float state is defined as the point at which a P0 pin sinks 3.2 mA
 or sources 400 μ A at the voltage test levels.

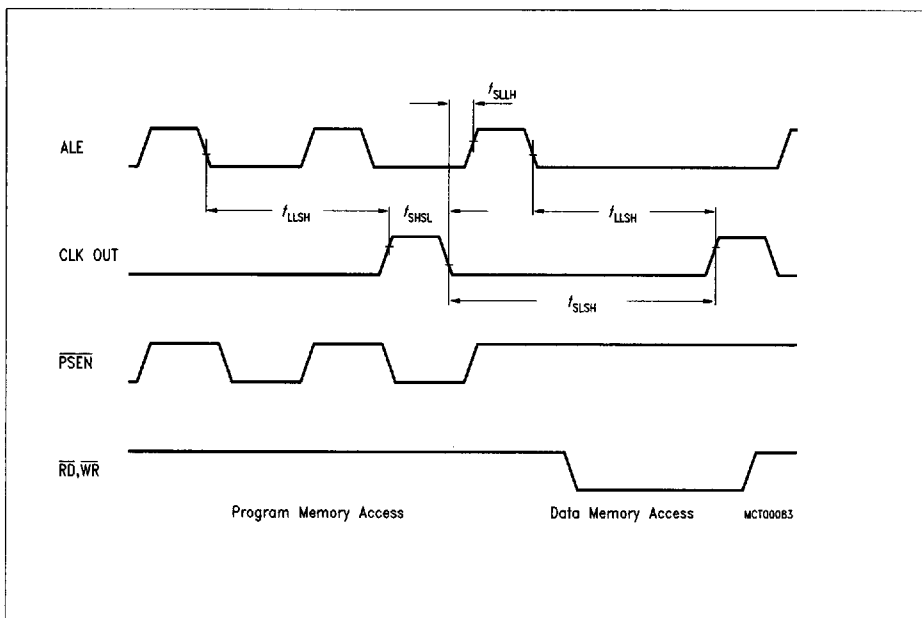
A.C. Testing Input, Output, Float Waveforms

AC Characteristics (cont'd)

| Parameter | Symbol | Limit values | | | | Unit |
|-----------|--------|--------------|------|---|------|------|
| | | 12 MHz clock | | Variable clock 1/ t_{CLCL} = 1.2 MHz to 12 MHz | | |
| | | min. | max. | min. | max. | |

System Clock Timing

| | | | | | | |
|------------------------|------------|-----|-----|--------------------|-----------------|----|
| ALE to CLKOUT | t_{LLSH} | 543 | — | $7 t_{CLCL} - 40$ | — | ns |
| CLKOUT high time | t_{SHSL} | 127 | — | $2 t_{CLCL} - 40$ | — | ns |
| CLKOUT low time | t_{SLSH} | 793 | — | $10 t_{CLCL} - 40$ | — | ns |
| CLKOUT low to ALE high | t_{SLLH} | 43 | 123 | $t_{CLCL} - 40$ | $t_{CLCL} + 40$ | ns |



System Clock Timing

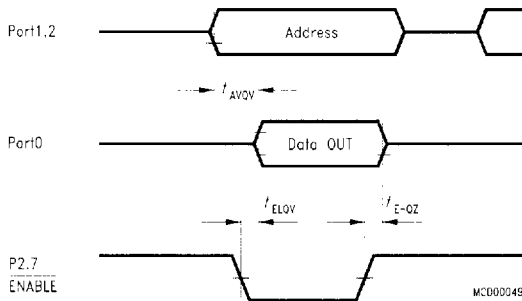
ROM Verification Characteristics

$T_A = 25\text{ }^\circ\text{C} \pm 5\text{ }^\circ\text{C}$; $V_{CC} = 5\text{ V} \pm 10\%$; $V_{SS} = 0\text{ V}$

| Parameter | Symbol | Limit values | | Unit |
|-----------|--------|--------------|------|------|
| | | min | max. | |

ROM Verification

| | | | | |
|-------------------------|--------------|---|----------------|-----|
| Address to valid data | t_{AVQV} | – | 48 t_{CLCL1} | ns |
| ENABLE to valid data | t_{ELQV} | – | 48 t_{CLCL1} | ns |
| Data float after ENABLE | t_{EHOZ} | 0 | 48 t_{CLCL1} | ns |
| Oscillator frequency | $1/t_{CLCL}$ | 4 | 6 | MHz |



Address: P1.0–P1.7=A0–A7
 P2.0–P2.4=A8–A12
 Data: Port 0 =D0–D7

Inputs: P2.5–P2.6, $\overline{PSEN}=V_{SS}$
 ALE, $\overline{EA}=V_{IH}$
 RESET = V_{IL}

Address: P1.0–P1.7 = A0–A7
 P2.0–P2.4 = A8–A12

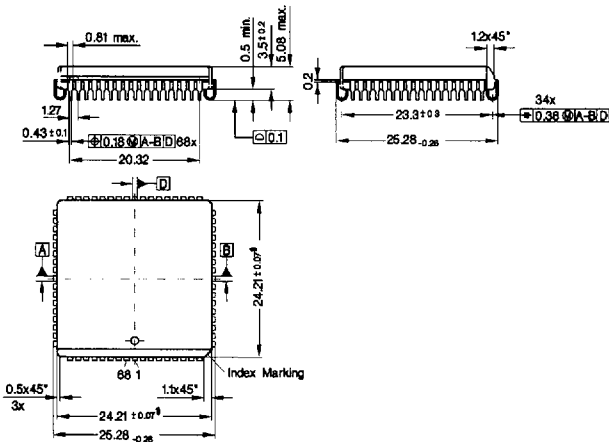
Data: Port 0 = D0–D7

Inputs: P2.5–P2.6, $\overline{PSEN}=V_{SS}$
 ALE, $\overline{EA}=V_{IH}$
 RESET = V_{IL}

ROM Verification

Package Outlines

Plastic Package, P-LCC-68 – SMD (Plastic Leaded Chip-Carrier)



1) Does not include plastic or metal protrusion of 0.15 max. per side

Sorts of Packing

Package outlines for tubes, trays etc. are contained in our Data Book "Package Information".

SMD = Surface Mounted Device

Dimensions in mm