

Legacy Device: Motorola MC3371, MC3372

The ML3371 and ML3372 perform single conversion FM reception and consist of an oscillator, mixer, limiting IF amplifier, quadrature discriminator, active filter, squelch switch, and meter drive circuitry. These devices are designed for use in FM dual conversion communication equipment. The ML3371/ML3372 are similar to the Motorola MC3361/MC3357 FM IFs, except that a signal strength indicator replaces the scan function controlling driver which is in the MC3361/MC3357. The ML3371 is designed for the use of parallel LC components, while the ML3372 is designed for use with either a 455 kHz ceramic discriminator, or parallel LC components.

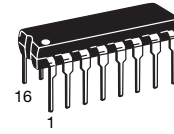
These devices also require fewer external parts than earlier products. The ML3371 and ML3372 are available in dual-in-line and surface mount packaging.

- Wide Operating Supply Voltage Range: $V_{CC} = 2.0$ to 9.0 V
- Input Limiting Voltage Sensitivity of -3.0 dB
- Low Drain Current: $I_{CC} = 3.2$ mA, @ $V_{CC} = 4.0$ V, Squelch Off
- Minimal Drain Current Increase When Squelched
- Signal Strength Indicator: 60 dB Dynamic Range
- Mixer Operating Frequency Up to 100 MHz
- Fewer External Parts Required than Earlier Devices
- Operating Temperature Range $T_A = -30^\circ$ to $+70^\circ$ C

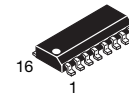
MAXIMUM RATINGS

| Rating | Pin | Symbol | Value | Unit |
|--|-----|---------------|-----------------|-----------------|
| Power Supply Voltage | 4 | $V_{CC(max)}$ | 10 | Vdc |
| RF Input Voltage ($V_{CC} \geq 4.0$ Vdc) | 16 | V16 | 1.0 | Vrms |
| Detector Input Voltage | 8 | V8 | 1.0 | Vpp |
| Squelch Input Voltage ($V_{CC} \geq 4.0$ Vdc) | 12 | V12 | 6.0 | Vdc |
| Mute Function | 14 | V14 | -0.7 to 10 | V _{pk} |
| Mute Sink Current | 14 | I14 | 50 | mA |
| Junction Temperature | – | T_J | 150 | °C |
| Storage Temperature Range | – | T_{stg} | -65 to $+150$ | °C |

NOTES: 1. Devices should not be operated at these values. The "Recommended Operating Conditions" table provides conditions for actual device operation.



P DIP 16 = EP
PLASTIC PACKAGE
CASE 648



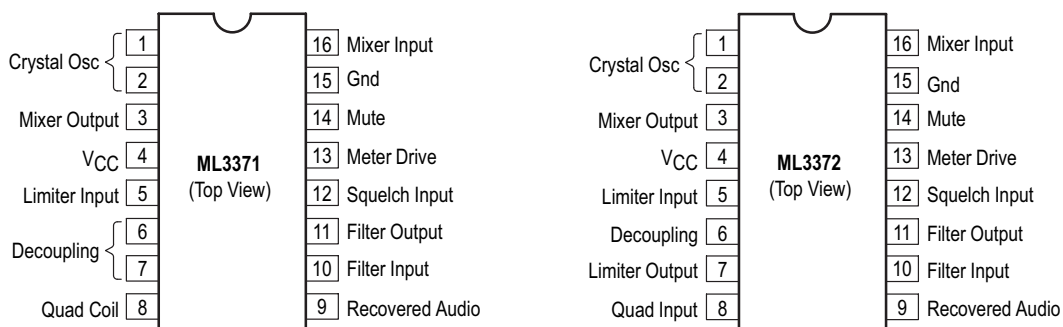
SO 16 = -5P
PLASTIC PACKAGE
CASE 751B
(SO-16)

CROSS REFERENCE/ORDERING INFORMATION

| PACKAGE | MOTOROLA | LANSDALE |
|----------|----------|-----------|
| P DIP 16 | MC3371P | ML3371EP |
| SO 16 | MC3371D | ML3371-5P |
| P DIP 16 | MC3372P | ML3372EP |
| SO 16 | MC3372D | ML3372-5P |

Note: Lansdale lead free (Pb) product, as it becomes available, will be identified by a part number prefix change from ML to MLE.

PIN CONNECTIONS



RECOMMENDED OPERATING CONDITIONS

| Rating | Pin | Symbol | Value | Unit |
|---|-----|-------------|--------------------------|------------------|
| Supply Voltage (@ $T_A = 25^\circ\text{C}$) ($-30^\circ\text{C} \leq T_A \leq +75^\circ\text{C}$) | 4 | V_{CC} | 2.0 to 9.0 2.4 to 9.0 | Vdc |
| RF Input Voltage | 16 | V_{rf} | 0.0005 to 10 | mVrms |
| RF Input Frequency | 16 | f_{rf} | 0.1 to 100 | MHz |
| Oscillator Input Voltage | 1 | V_{local} | 80 to 400 | mVrms |
| Intermediate Frequency | – | f_{if} | 455 | kHz |
| Limiter Amp Input Voltage | 5 | V_{if} | 0 to 400 | mVrms |
| Filter Amp Input Voltage | 10 | V_{fa} | 0.1 to 300 | mVrms |
| Squelch Input Voltage | 12 | V_{sq} | 0 or 2 | Vdc |
| Mute Sink Current | 14 | I_{sq} | 0.1 to 30 | mA |
| Ambient Temperature Range | – | T_A | -30 to $+70$ | $^\circ\text{C}$ |

AC ELECTRICAL CHARACTERISTICS ($V_{CC} = 4.0$ Vdc, $f_o = 58.1125$ MHz, $df = \pm 3.0$ kHz, $f_{mod} = 1.0$ kHz, 50Ω source, $f_{local} = 57.6575$ MHz, $V_{local} = 0$ dBm, $T_A = 25^\circ\text{C}$, unless otherwise noted)

| Characteristic | Pin | Symbol | Min | Typ | Max | Unit |
|---|-----|--------------------------------|-----------------|-------------------|-------------------|------------------|
| Input for 12 dB SINAD Matched Input – (See Figures 11, 12 and 13) Unmatched Input – (See Figures 1 and 2) | – | V_{SIN} | – – | 1.0 5.0 | – 15 | μVrms |
| Input for 20 dB NQS | – | V_{NQS} | – | 3.5 | – | μVrms |
| Recovered Audio Output Voltage $V_{rf} = -30$ dBm | – | A_{FO} | 120 | 200 | 320 | mVrms |
| Recovered Audio Drop Voltage Loss $V_{rf} = -30$ dBm, $V_{CC} = 4.0$ V to 2.0 V | – | A_{Floss} | -8.0 | -1.5 | – | dB |
| Meter Drive Output Voltage (No Modulation) $V_{rf} = -100$ dBm $V_{rf} = -70$ dBm $V_{rf} = -40$ dBm | 13 | M_{Drv} MV1 MV2 MV3 | – 1.1 2.0 | 0.3 1.5 2.5 | 0.5 1.9 3.1 | Vdc |
| Filter Amp Gain $R_S = 600 \Omega$, $f_s = 10$ kHz, $V_{fa} = 1.0$ mVrms | – | $A_V(\text{Amp})$ | 47 | 50 | – | dB |
| Mixer Conversion Gain $V_{rf} = -40$ dBm, $R_L = 1.8$ k Ω | – | $A_V(\text{Mix})$ | 14 | 20 | – | dB |
| Signal to Noise Ratio $V_{rf} = -30$ dBm | – | s/n | 36 | 67 | – | dB |
| Total Harmonic Distortion $V_{rf} = -30$ dBm, BW = 400 Hz to 30 kHz | – | THD | – | 0.6 | 3.4 | % |
| Detector Output Impedance | 9 | Z_O | – | 450 | – | Ω |
| Detector Output Voltage (No Modulation) $V_{rf} = -30$ dBm | 9 | DV_O | – | 1.45 | – | Vdc |
| Meter Drive $V_{rf} = -100$ to -40 dBm | 13 | M_O | – | 0.8 | – | $\mu\text{A/dB}$ |
| Meter Drive Dynamic Range RF_{In} IF_{In} (455 kHz) | 13 | MVD | – – | 60 80 | – – | dB |
| Mixer Third Order Input Intercept Point $f_1 = 58.125$ MHz $f_2 = 58.1375$ MHz | – | $ITOMix$ | – | -22 | – | dBm |
| Mixer Input Resistance | 16 | R_{in} | – | 3.3 | – | k Ω |
| Mixer Input Capacitance | 16 | C_{in} | – | 2.2 | – | pF |

DC ELECTRICAL CHARACTERISTICS ($V_{CC} = 4.0 \text{ Vdc}$, $T_A = 25^\circ\text{C}$, unless otherwise noted)

| Characteristic | Pin | Symbol | Min | Typ | Max | Unit |
|---|-----|-----------------------|-------------|-------------------|-------------------|------|
| Drain Current (No Input Signal) Squelch Off, $V_{SQ} = 2.0 \text{ Vdc}$ Squelch On, $V_{SQ} = 0 \text{ Vdc}$ Squelch Off, $V_{CC} = 2.0 \text{ to } 9.0 \text{ V}$ | 4 | lcc1 lcc2 dlcc1 | – – – | 3.2 3.6 1.0 | 4.2 4.8 2.0 | mA |
| Detector Output (No Input Signal) DC Voltage, $V_8 = V_{CC}$ | 9 | V9 | 0.9 | 1.6 | 2.3 | Vdc |
| Filter Output (No Input Signal) DC Voltage Voltage Change, $V_{CC} = 2.0 \text{ to } 9.0 \text{ V}$ | 11 | V11 dV11 | 1.5 2.0 | 2.5 5.0 | 3.5 8.0 | Vdc |
| Trigger Hysteresis | – | Hys | 34 | 57 | 80 | mV |

Figure 1. ML3371 Functional Block Diagram and Test Fixture Schematic

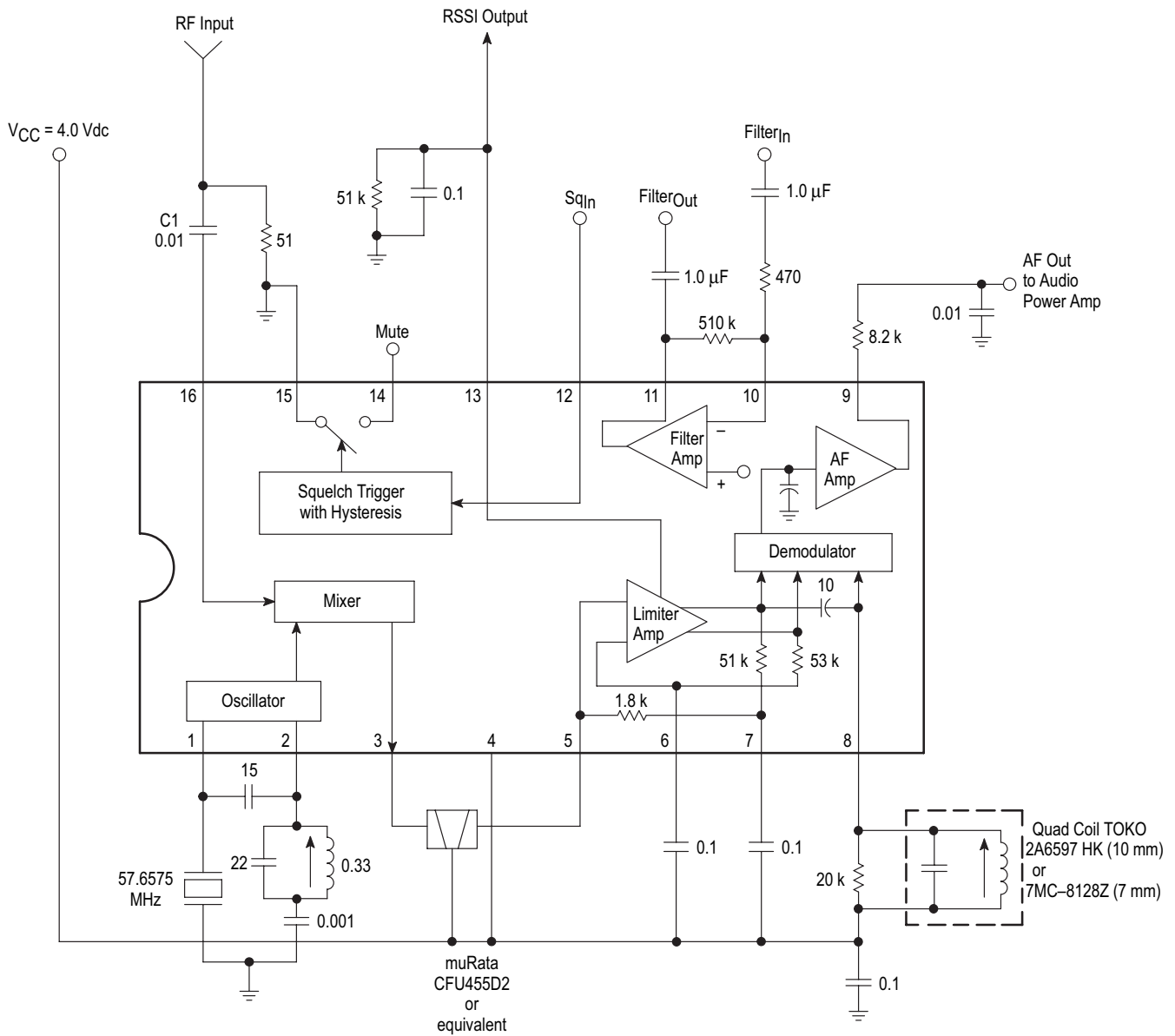
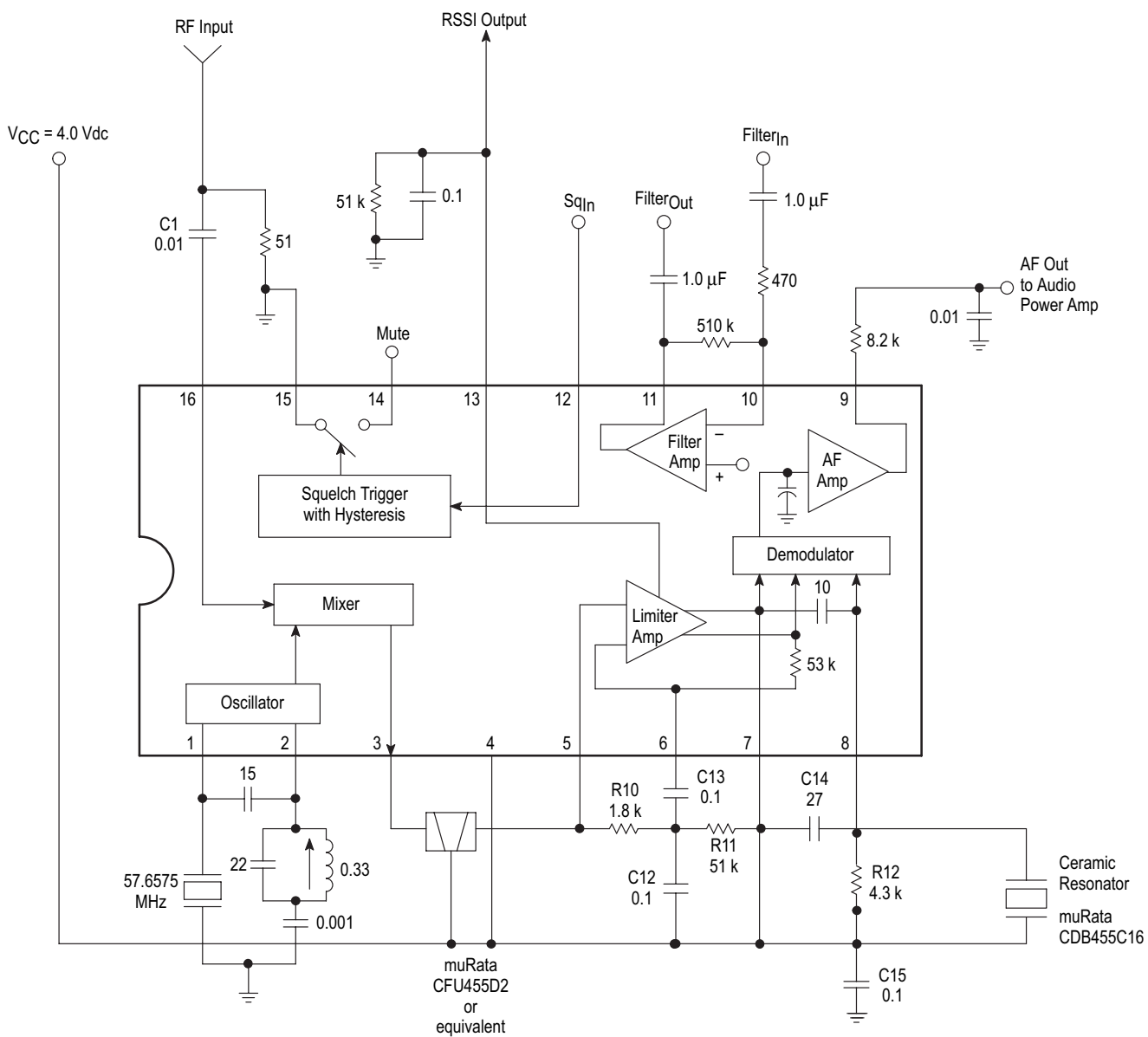


Figure 2. ML3372 Functional Block Diagram and Test Fixture Schematic



TYPICAL CURVES
(Unmatched Input)

Figure 3. Total Harmonic Distortion versus Temperature

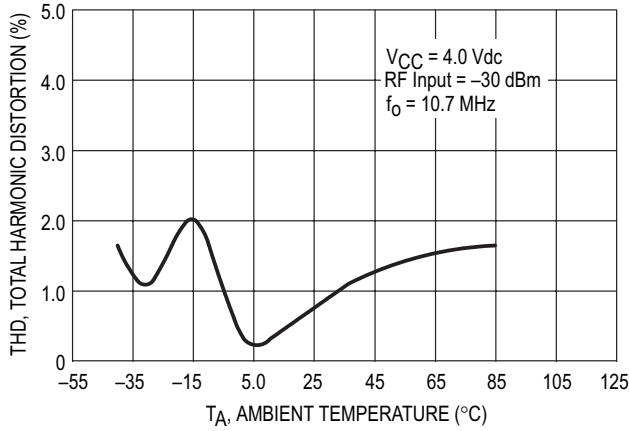


Figure 4. RSSI versus RF Input

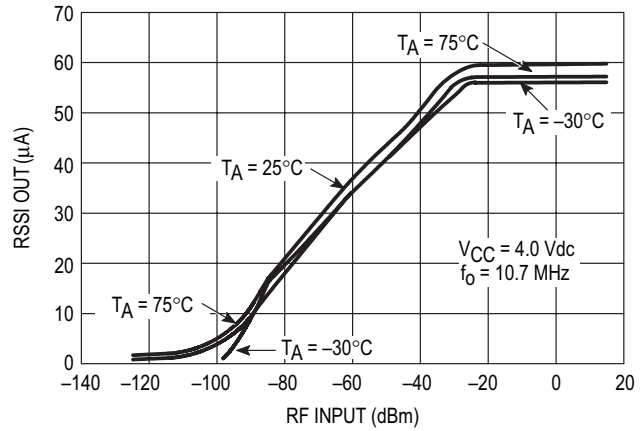


Figure 5. RSSI Output versus Temperature

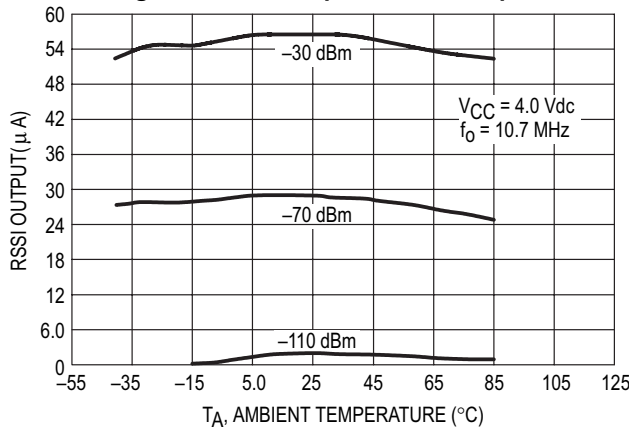


Figure 6. Mixer Output versus RF Input

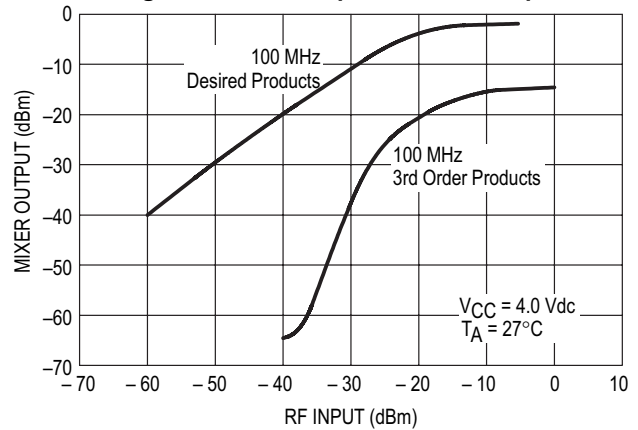


Figure 7. Mixer Gain versus Supply Voltage

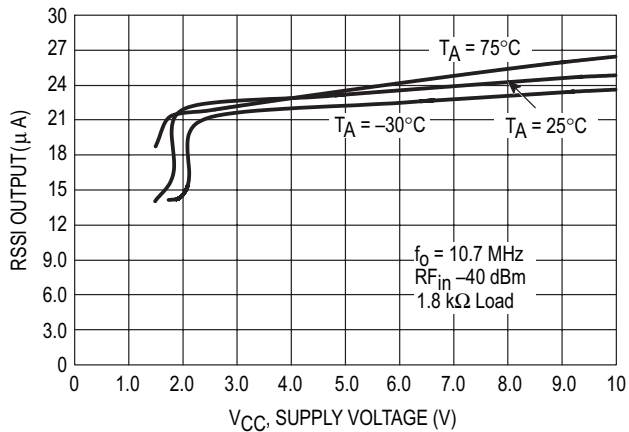
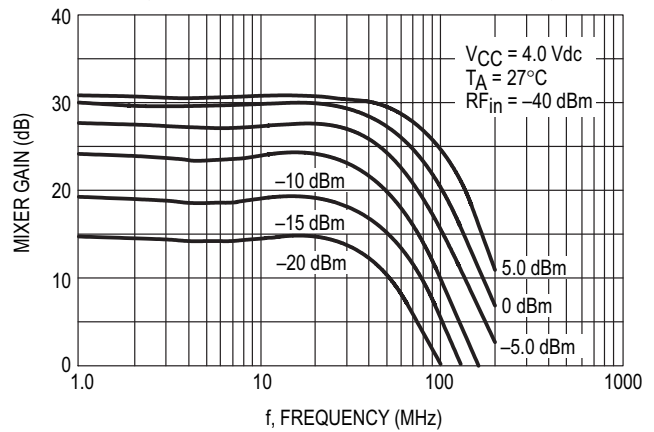


Figure 8. Mixer Gain versus Frequency



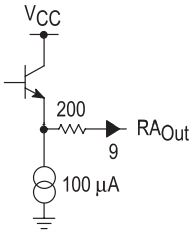
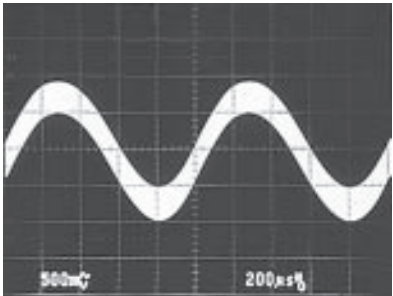
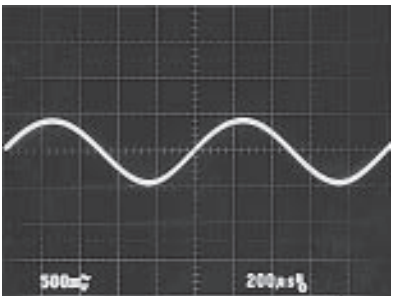
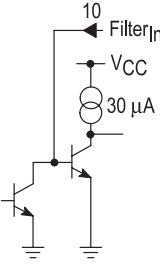
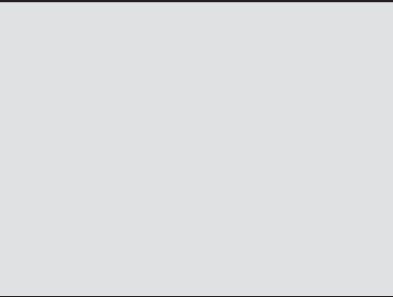
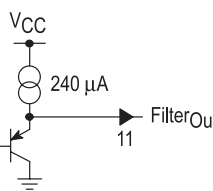
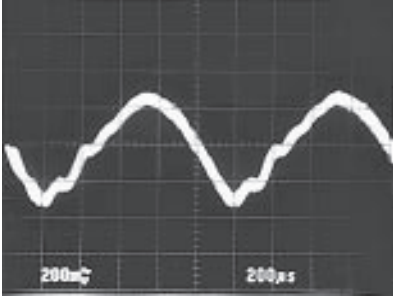
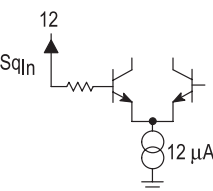
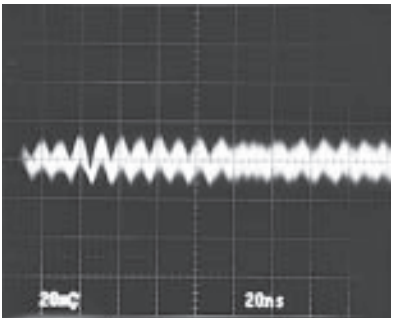
ML3371 PIN FUNCTION DESCRIPTION

OPERATING CONDITIONS $V_{CC} = 4.0$ Vdc, $RF_{In} = 100$ μ V, $f_{mod} = 1.0$ kHz, $f_{dev} = 3.0$ kHz. ML3371 at $f_{RF} = 10.7$ MHz (see Figure 11).

| Pin | Symbol | Internal Equivalent Circuit | Description | Waveform |
|-----|-----------|-----------------------------|--|----------|
| 1 | OSC1 | | The base of the Colpitts oscillator. Use a high impedance and low capacitance probe or a "sniffer" to view the waveform without altering the frequency. Typical level is 450 mVpp. | |
| 2 | OSC2 | | The emitter of the Colpitts oscillator. Typical signal level is 200 mVpp. Note that the signal is somewhat distorted compared to that on Pin 1. | |
| 3 | MXOut | | Output of the Mixer. Riding on the 455 kHz is the RF carrier component. The typical level is approximately 60 mVpp. | |
| 4 | VCC | | Supply Voltage -2.0 to 9.0 Vdc is the operating range. V_{CC} is decoupled to ground. | |
| 5 | IFIn | | Input to the IF amplifier after passing through the 455 kHz ceramic filter. The signal is attenuated by the filter. The typical level is approximately 50 mVpp. | |
| 6 | DEC1 | | IF Decoupling. External 0.1 μ F capacitors connected to V_{CC} . | |
| 7 | DEC2 | | | |
| 8 | Quad Coil | | Quadrature Tuning Coil. Composite (not yet demodulated) 455 kHz IF signal is present. The typical level is 500 mVpp. | |

ML3371 PIN FUNCTION DESCRIPTION (continued)

OPERATING CONDITIONS $V_{CC} = 4.0 \text{ Vdc}$, $R_{FIn} = 100 \mu\text{V}$, $f_{mod} = 1.0 \text{ kHz}$, $f_{dev} = 3.0 \text{ kHz}$. ML3371 at $f_{RF} = 10.7 \text{ MHz}$ (see Figure 11).

| Pin | Symbol | Internal Equivalent Circuit | Description | Waveform |
|-----|--------|---|---|---|
| 9 | RA |  | Recovered Audio. This is a composite FM demodulated output having signal and carrier component. The typical level is 1.4 Vpp. |  |
| | | | The filtered recovered audio has the carrier component removed and is typically 800 mVpp. |  |
| 10 | FilIn |  | Filter Amplifier Input |  |
| 11 | FilOut |  | Filter Amplifier Output. The typical signal level is 400 mVpp. |  |
| 12 | SqIn |  | Squelch Input. See discussion in application text. |  |

ML3371 PIN FUNCTION DESCRIPTION (continued)

OPERATING CONDITIONS $V_{CC} = 4.0$ Vdc, $R_{F_{In}} = 100 \mu\text{V}$, $f_{mod} = 1.0$ kHz, $f_{dev} = 3.0$ kHz. ML3371 at $f_{RF} = 10.7$ MHz (see Figure 11).

| Pin | Symbol | Internal Equivalent Circuit | Description | Waveform |
|-----|-------------------|-----------------------------|---|----------|
| 13 | RSSI | | RSSI Output. Referred to as the Received Signal Strength Indicator or RSSI. The chip sources up to 60 μA over the linear 60 dB range. This pin may be used many ways, such as: AGC, meter drive and carrier triggered squelch circuit. | |
| 14 | MUTE | | Mute Output. See discussion in application text. | |
| 15 | Gnd | | Ground. The ground area should be continuous and unbroken. In a two-sided layout, the component side has the ground plane. In a one-sided layout, the ground plane fills around the traces on the circuit side of the board and is not interrupted. | |
| 16 | MIX _{In} | | Mixer Input – Series Input Impedance: @ 10 MHz: 309 – j33 Ω @ 45 MHz: 200 – j13 Ω | |

*Other pins are the same as pins in MC3371.

ML3372 PIN FUNCTION DESCRIPTION

OPERATING CONDITIONS $V_{CC} = 4.0 \text{ Vdc}$, $R_{FIn} = 100 \mu\text{V}$, $f_{mod} = 1.0 \text{ kHz}$, $f_{dev} = 3.0 \text{ kHz}$. ML3372 at $f_{RF} = 45 \text{ MHz}$ (see Figure 13).

| Pin | Symbol | Internal Equivalent Circuit | Description | Waveform |
|-----|--------------------|-----------------------------|---|----------|
| 5 | IF _{In} | | IF Amplifier Input | |
| 6 | DEC1 | | IF Decoupling. External 0.1 μF capacitors connected to V _{CC} . | |
| 7 | IF _{Out} | | IF Amplifier Output Signal level is typically 300 mVpp. | |
| 8 | Quad _{In} | | Quadrature Detector Input. Signal level is typically 150 mVpp. | |
| 9 | RA | | Recovered Audio. This is a composite FM demodulated output having signal and carrier components. Typical level is 800 mVpp. | |
| | | | The filtered recovered audio has the carrier signal removed and is typically 500 mVpp. | |

Figure 9. ML3371 Circuit Schematic

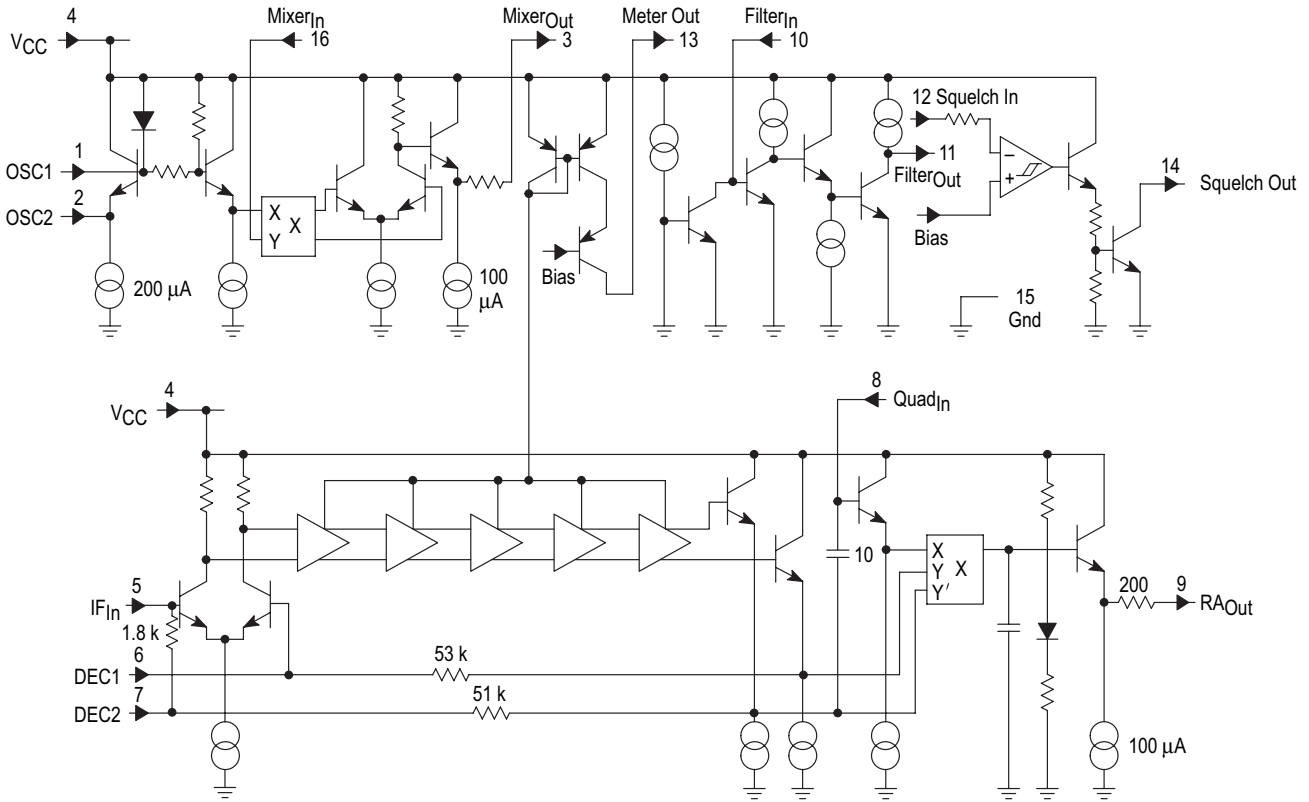
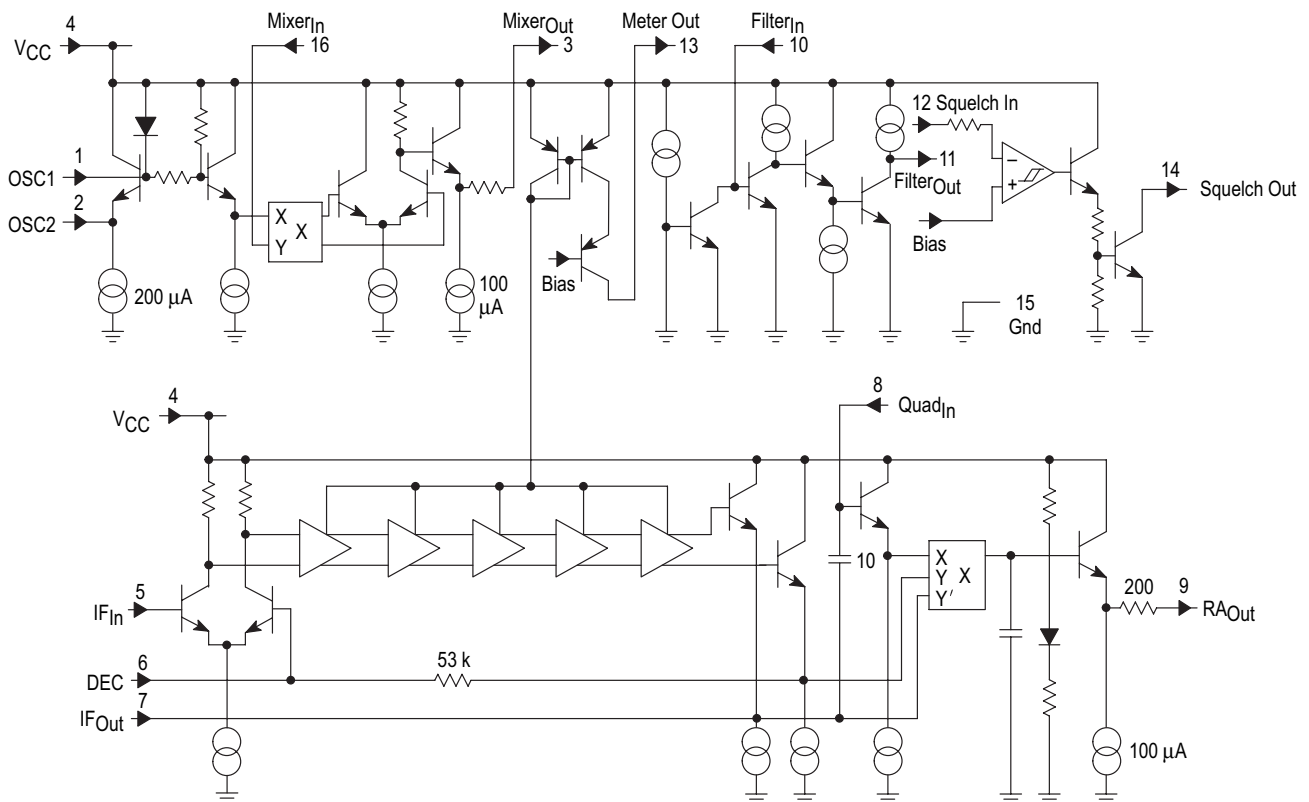


Figure 10. ML3372 Circuit Schematic



CIRCUIT DESCRIPTION

The ML3371 and ML3372 are low power narrowband FM receivers with an operating frequency of up to 60 MHz. Its low voltage design provides low power drain, excellent sensitivity, and good image rejection in narrowband voice and data link applications.

This part combines a mixer, an IF (intermediate frequency) limiter with a logarithmic response signal strength indicator, a quadrature detector, an active filter and a squelch trigger circuit. In a typical application, the mixer amplifier converts an RF input signal to a 455 kHz IF signal. Passing through an external bandpass filter, the IF signal is fed into a limiting amplifier and detection circuit where the audio signal is recovered. A conventional quadrature detector is used.

The absence of an input signal is indicated by the presence of noise above the desired audio frequencies. This “noise band” is monitored by an active filter and a detector. A squelch switch is used to mute the audio when noise or a tone is present. The input signal level is monitored by a meter drive circuit which detects the amount of IF signal in the limiting amplifier.

LEGACY APPLICATIONS INFORMATION

The oscillator is an internally biased Colpitts type with the collector, base, and emitter connections at Pins 4, 1 and 2 respectively. This oscillator can be run under crystal control. For fundamental mode crystals use crystal characterized parallel resonant for 32 pF load. For higher frequencies, use 3rd overtone series mode type crystals. The coil (L2) and resistor RD (R13) are needed to ensure proper and stable operation at the LO frequency (see Figure 13, 45 MHz application circuit).

The mixer is doubly balanced to reduce spurious radiation. Conversion gain stated in the AC Electrical Characteristic table is typically 20 dB. This power gain measurement was made under stable conditions using a 50 Ω source at the input and an external load provided by a 455 kHz ceramic filter at the mixer output which is connected to the V_{CC} (Pin 4) and IF input (Pin 5). The filter impedance closely matches the 1.8 kΩ internal load resistance at Pin 3 (mixer output). Since the input impedance at Pin 16 is strongly influenced by a 3.3 kΩ internal biasing resistor and has a low capacitance, the useful gain is actually much higher than shown by the standard power gain measurement. The Smith Chart plot in Figure 17 shows the measured mixer input impedance versus input frequency with the mixer input matched to a 50Ω source impedance at the given frequencies. In order to assure stable operation under matched conditions, it is necessary to provide a shunt resistor to ground. Figures 11, 12 and 13 show the input networks used to derive the mixer input impedance data.

Following the mixer, a ceramic bandpass filter is recommended for IF filtering (i.e. 455 kHz types having a bandwidth of ±2.0 kHz to ±15 kHz with an input and output impedance from 1.5 kΩ to 2.0 kΩ). The 6 stage limiting IF amplifier has approximately 92 dB of gain. The MC3371 and MC3372 are

different in the limiter and quadrature detector circuits. The MC3371 has a 1.8 kΩ and a 51 kΩ resistor providing internal dc biasing and the output of the limiter is internally connected, both directly and through a 10 pF capacitor to the quadrature detector; whereas, in the MC3372 these components are not provided internally. Thus, in the MC3371, no external components are necessary to match the 455 kHz ceramic filter, while in the MC3372, external 1.8 kΩ and 51 kΩ biasing resistors are needed between Pins 5 and 7, respectively (see Figures 12 and 13).

In the MC3371, a parallel LCR quadrature tank circuit is connected externally from Pin 8 to V_{CC} (similar to the MC3361). In the MC3372, a quadrature capacitor is needed externally from Pin 7 to Pin 8 and a parallel LC or a ceramic discriminator with a damping resistor is also needed from Pin 8 to V_{CC} (similar to the MC3357). The above external quadrature circuitry provides 90° phase shift at the IF center frequency and enables recovered audio.

The damping resistor determines the peak separation of the detector and is somewhat critical. As the resistor is decreased, the separation and the bandwidth is increased but the recovered audio is decreased. Receiver sensitivity is dependent on the value of this resistor and the bandwidth of the 455 kHz ceramic filter.

On the chip the composite recovered audio, consisting of carrier component and modulating signal, is passed through a low pass filter amplifier to reduce the carrier component and then is fed to Pin 9 which has an output impedance of 450Ω. The signal still requires further filtering to eliminate the carrier component, deemphasis, volume control, and further amplification before driving a loudspeaker. The relative level of the composite recovered audio signal at Pin 9 should be considered for proper interaction with an audio post amplifier and a given load element. The MC13060 is recommended as a low power audio amplifier.

The meter output indicates the strength of the IF level and the output current is proportional to the logarithm of the IF input signal amplitude. A maximum source current of 60 μA is available and can be used to drive a meter and to detect a carrier presence. This is referred to as a Received Strength Signal Indicator (RSSI). The output at Pin 13 provides a current source. Thus, a resistor to ground yields a voltage proportional to the input carrier signal level. The value of this resistor is estimated by $(V_{CC}(V_{dc}) - 1.0 \text{ V})/60 \mu\text{A}$; so for V_{CC} = 4.0 Vdc, the resistor is approximately 50 kΩ and provides a maximum voltage swing of about 3.0 V.

A simple inverting op amp has an output at Pin 11 and the inverting input at Pin 10. The noninverting input is connected to 2.5 V. The op amp may be used as a noise triggered squelch or as an active noise filter. The bandpass filter is designed with external impedance elements to discriminate between frequencies. With an external AM detector, the filtered audio signal is checked for a tone signal or for the presence of noise above the normal audio band. This information is applied to Pin 12.

Legacy Applications Information

An external positive bias to Pin 12 sets up the squelch trigger circuit such that the audio mute (Pin 14) is open or connected to ground. If Pin 12 is pulled down to 0.9 V or below by the noise or tone detector, Pin 14 is internally shorted to ground. There is about 57 mV of hysteresis at Pin 12 to prevent jitter. Audio muting is accomplished by connecting Pin 14 to the appropriate point in the audio path between Pin 9 and an audio amplifier. The voltage at Pin 14 should not be lower than -0.7 V; this can be assured by connecting Pin 14 to the point that has no DC component.

Another possible application of the squelch switch may be as a carrier level triggered squelch circuit, similar to the MC3362/MC3363 FM receivers. In this case the meter output can be used directly to trigger the squelch switch when the RF input at the input frequency falls below the desired level. The level at which this occurs is determined by the resistor placed between the meter drive output (Pin 13) and ground (Pin 15).

Figure 11b shows a typical application using the ML145170/ML145170 PLL device to obtain multiple channel operation.

Figure 11a. Typical Application for ML3371 at 10.7 MHz

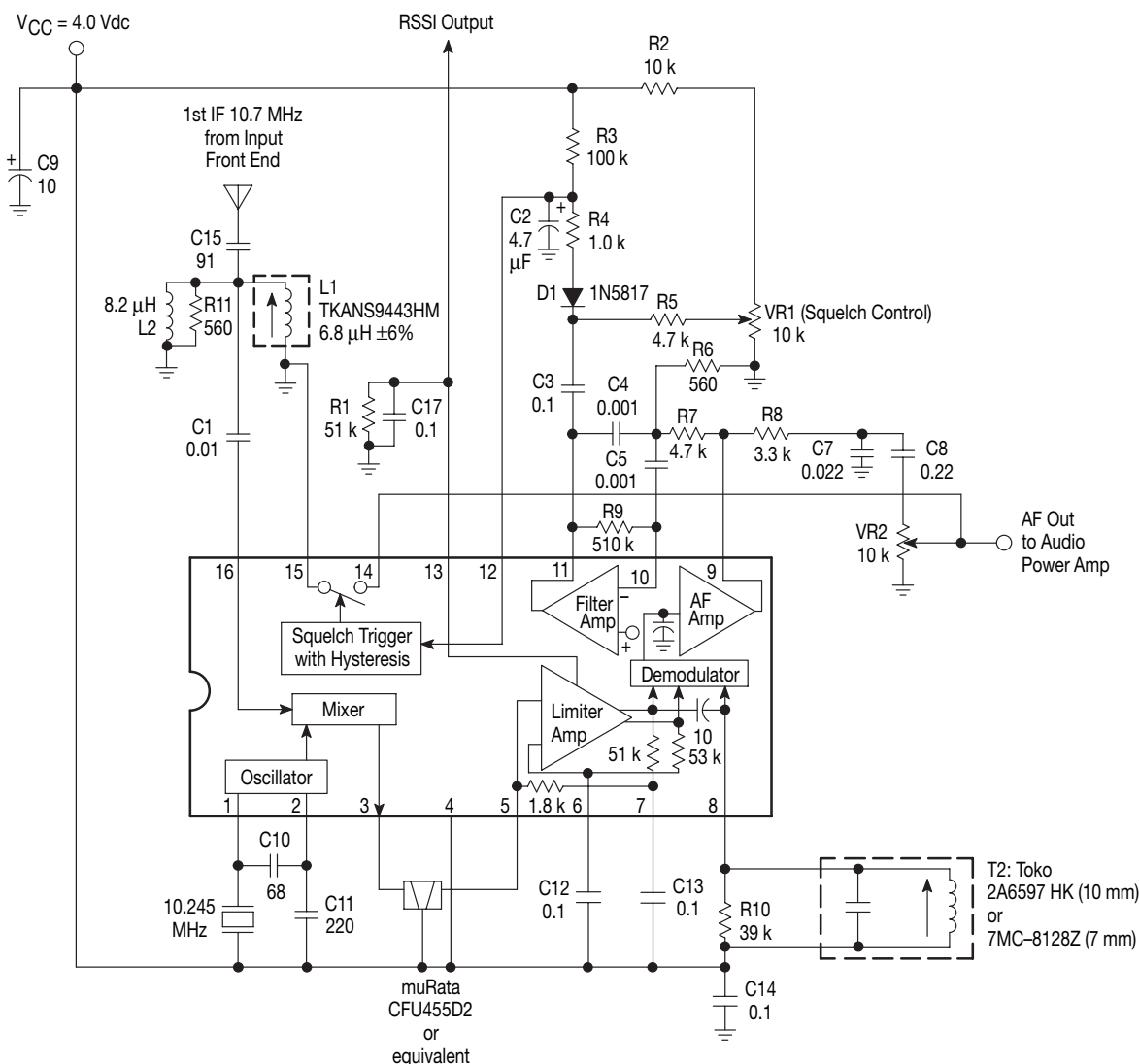
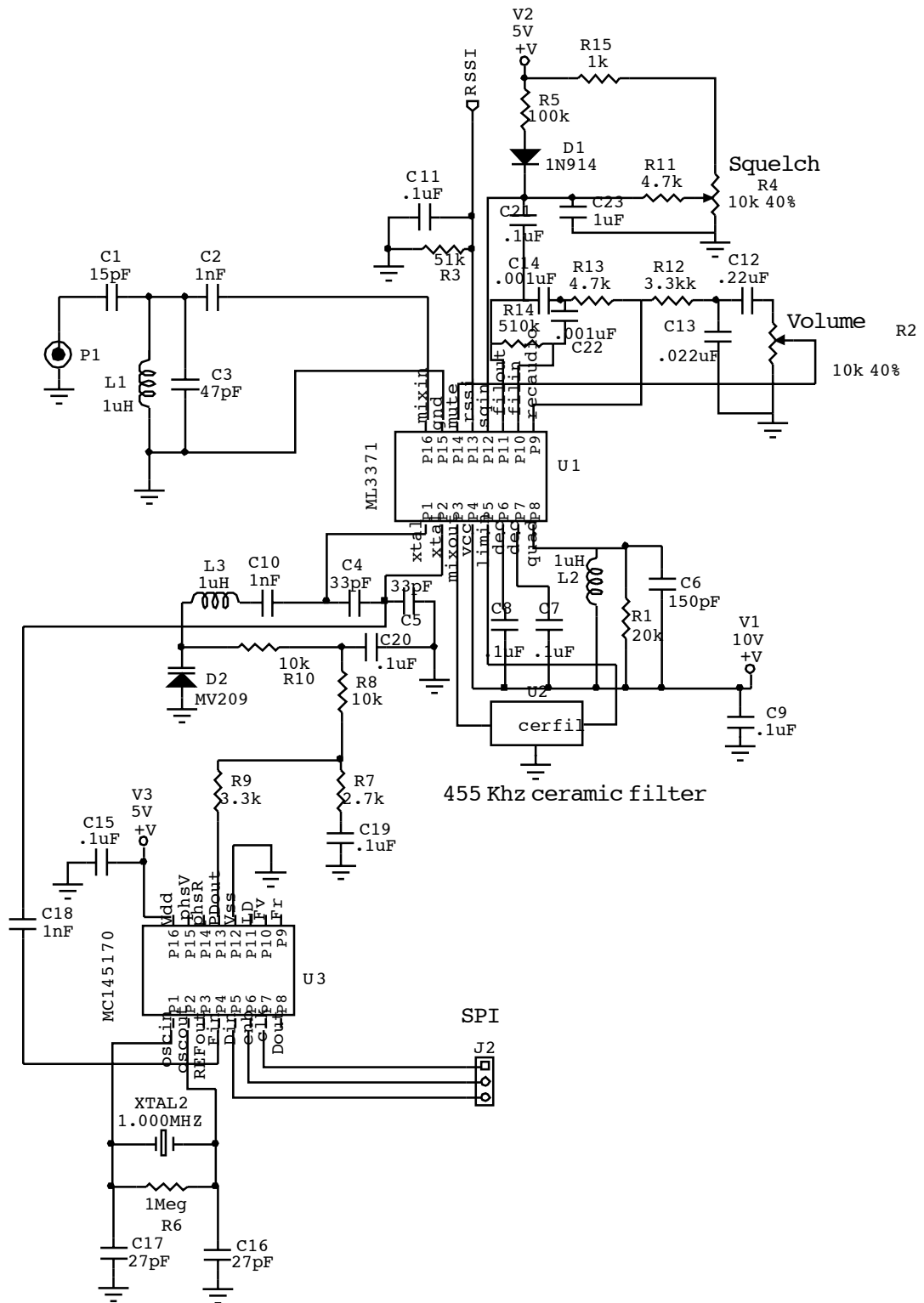
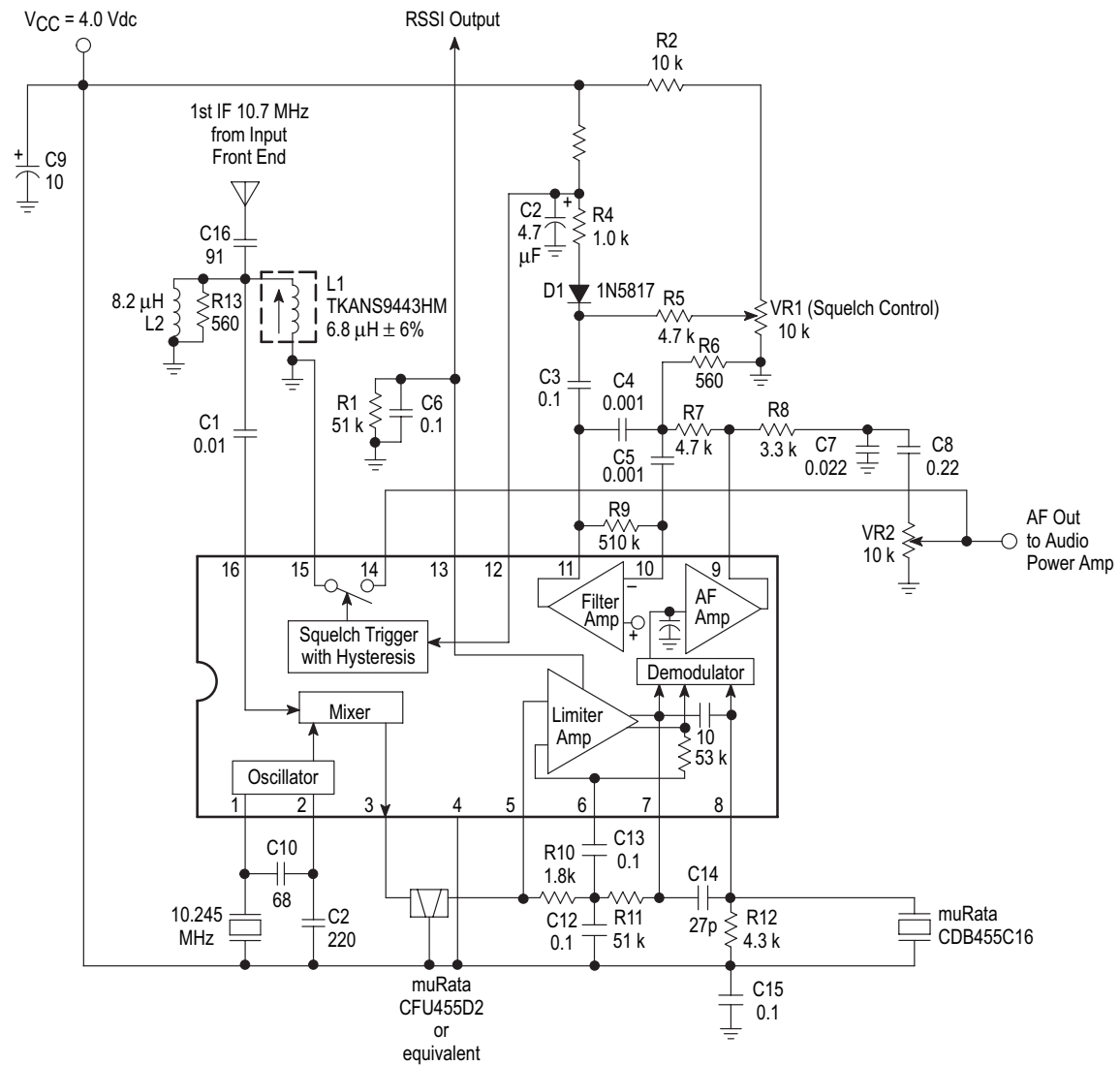


Figure 11b. Typical Application using PLL ML145170 Device Allowing Multiple Channel Operation.



Legacy Applications Information

Figure 12. Typical Application for ML3372 at 10.7 MHz



Legacy Applications Information

Figure 13. Typical Application for ML3372 at 45 MHz

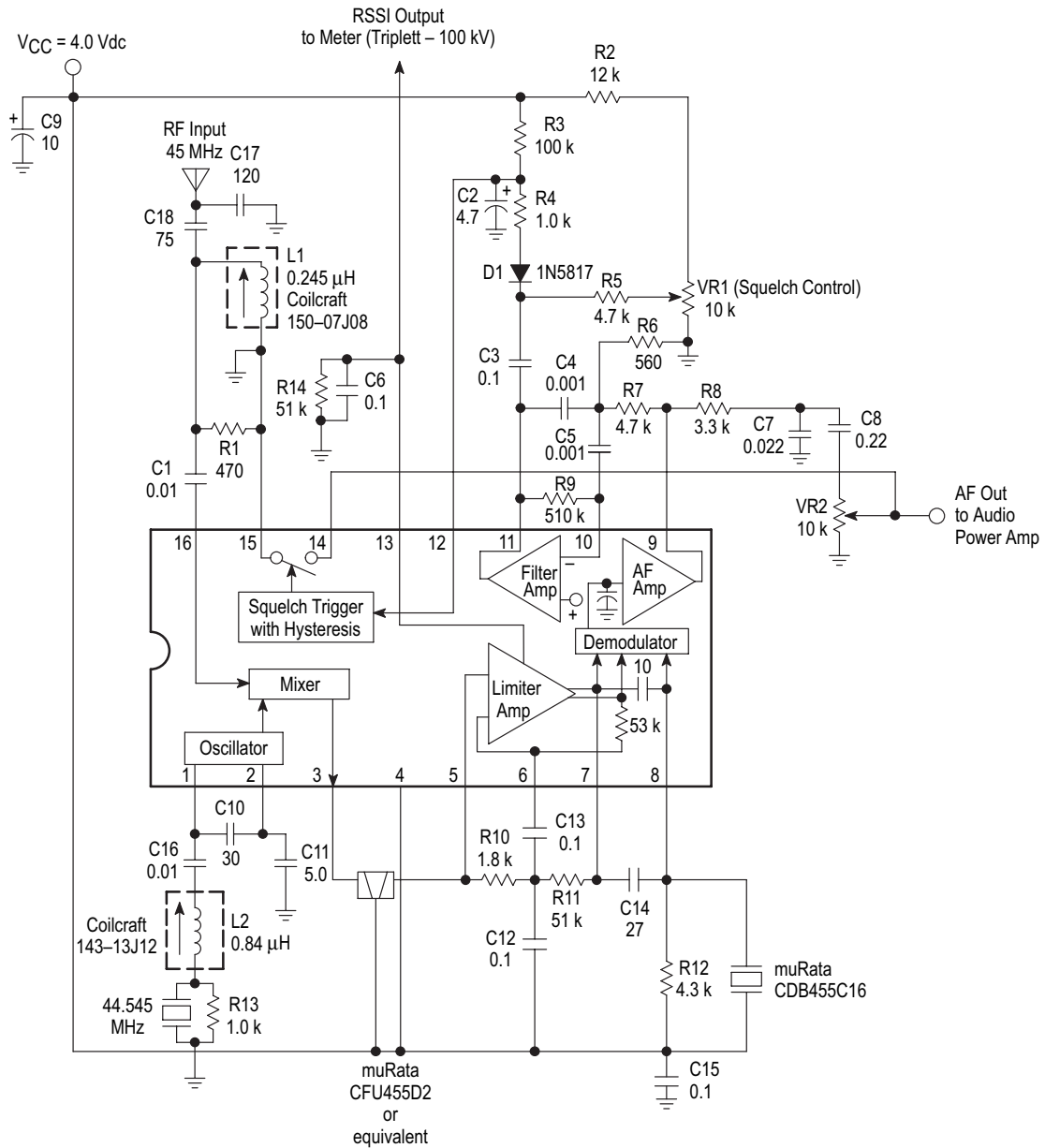


Figure 14. RSSI Output versus RF Input

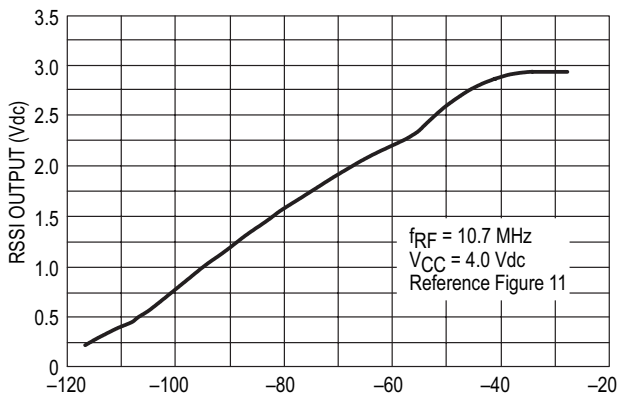
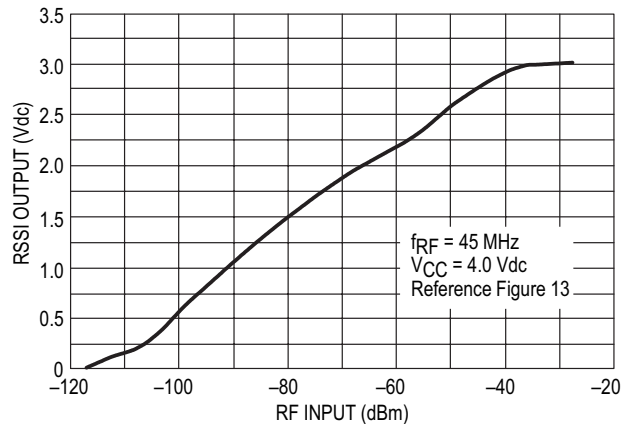
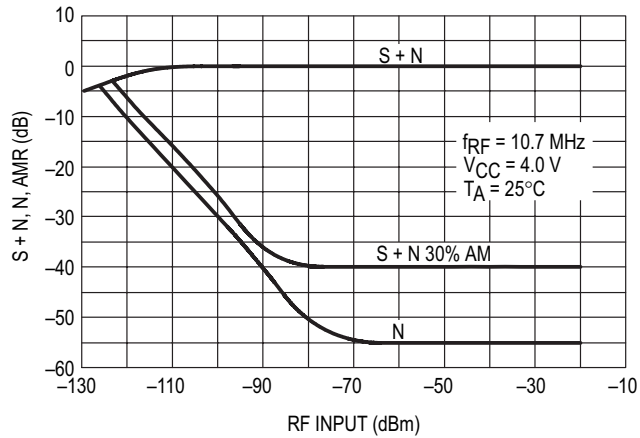


Figure 15. RSSI Output versus RF Input



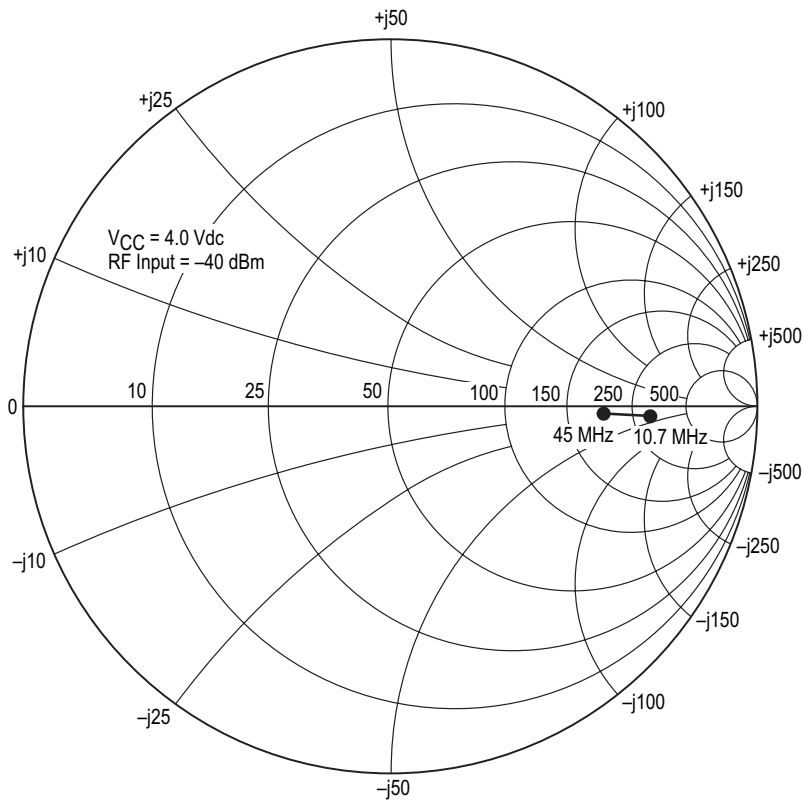
Legacy Applications Information

Figure 16. S + N, N, AMR versus Input



* Reference Figures 11, 12 and 13

Figure 17. Mixer Input Impedance versus Frequency



Legacy Applications Information

Figure 18. MC3371 PC Board Component View with Matched Input at 10.7 MHz

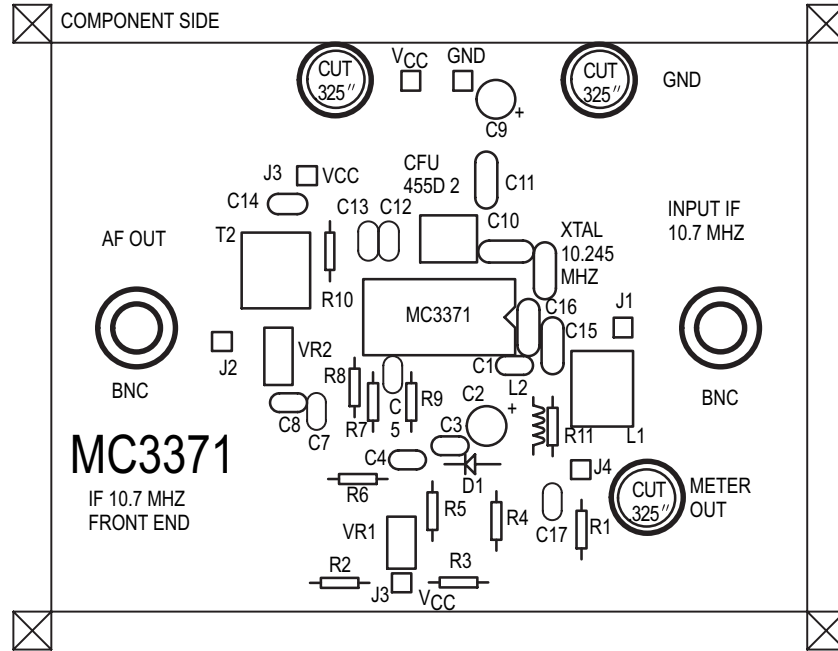
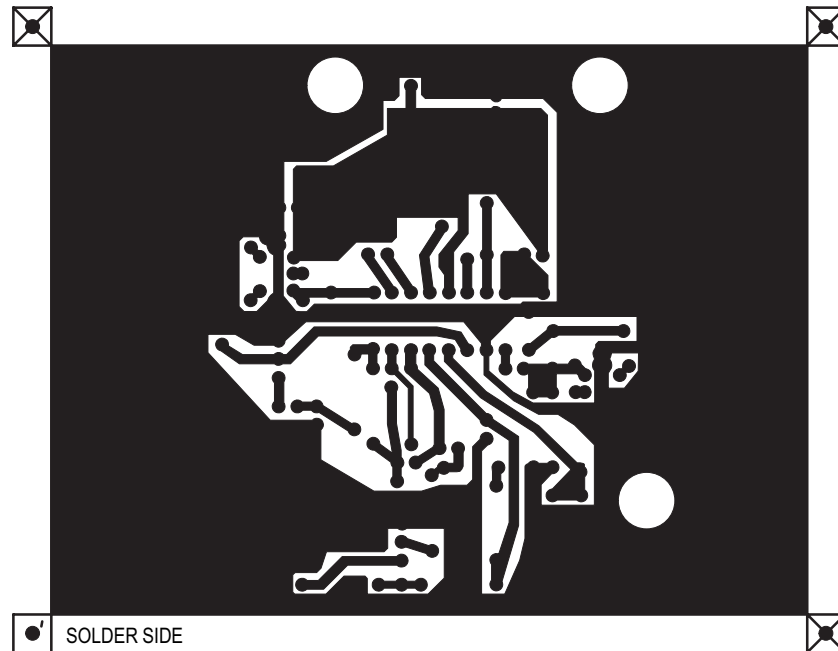


Figure 19. MC3371 PC Board Circuit or Solder Side as Viewed through Component Side



Above PC Board is laid out for the circuit in Figure 11.

Legacy Applications Information

Figure 20. MC3372P PC Board Component View with Matched Input at 10.7 MHz

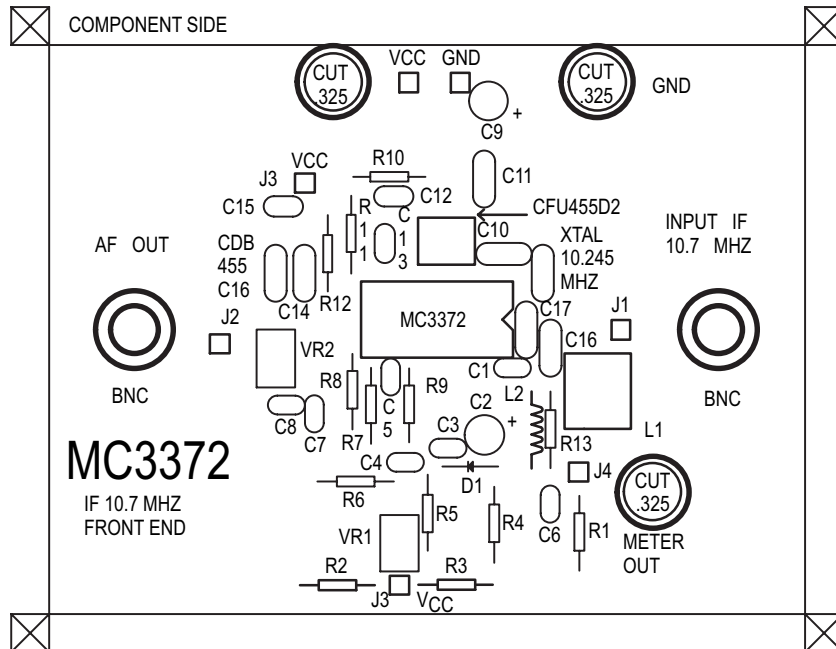
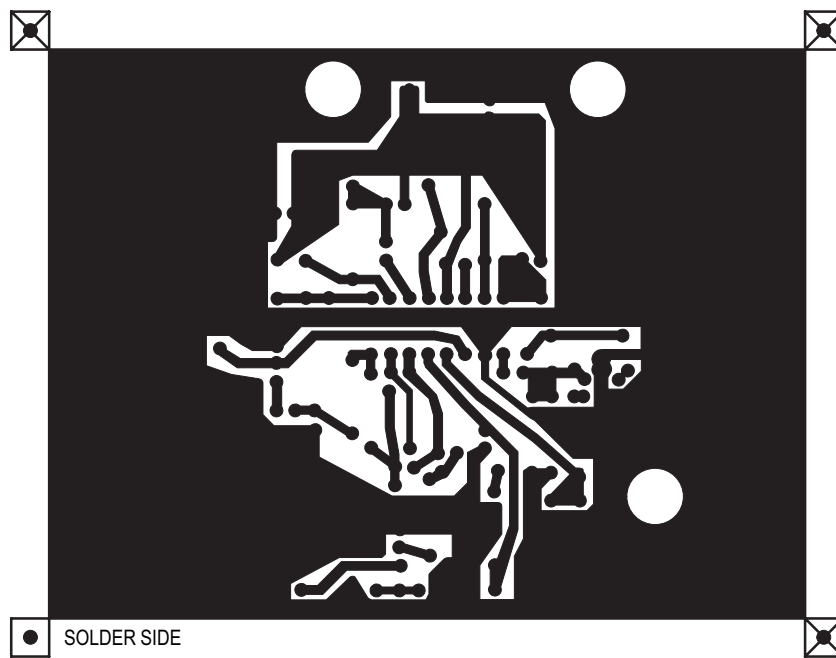


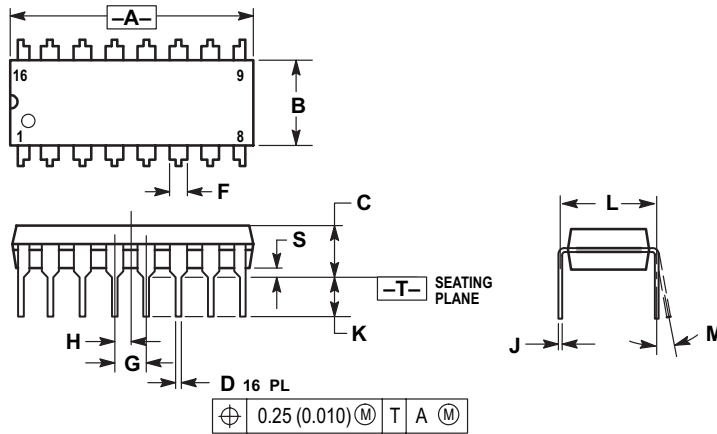
Figure 21. MC3372P PC Board Circuit or Solder Side as Viewed through Component Side



Above PC Board is laid out for the circuit in Figure 12.

OUTLINE DIMENSIONS

P DIP 16 = EP
 PLASTIC PACKAGE
 (ML3371EP, ML3372EP)
 CASE 648-08
 ISSUE R

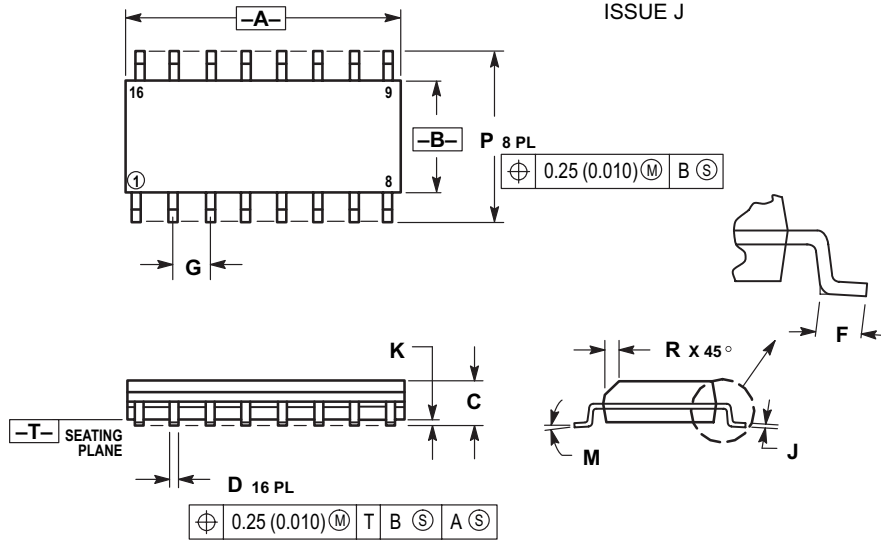


NOTES:

1. DIMENSIONING AND TOLERANCING PER ANSI Y14.5M, 1982.
2. CONTROLLING DIMENSION: INCH.
3. DIMENSION L TO CENTER OF LEADS WHEN FORMED PARALLEL.
4. DIMENSION B DOES NOT INCLUDE MOLD FLASH.
5. ROUNDED CORNERS OPTIONAL.

| DIM | INCHES | | MILLIMETERS | |
|-----|-----------|-------|-------------|-------|
| | MIN | MAX | MIN | MAX |
| A | 0.740 | 0.770 | 18.80 | 19.55 |
| B | 0.250 | 0.270 | 6.35 | 6.85 |
| C | 0.145 | 0.175 | 3.69 | 4.44 |
| D | 0.015 | 0.021 | 0.39 | 0.53 |
| F | 0.040 | 0.70 | 1.02 | 1.77 |
| G | 0.100 BSC | | 2.54 BSC | |
| H | 0.050 BSC | | 1.27 BSC | |
| J | 0.008 | 0.015 | 0.21 | 0.38 |
| K | 0.110 | 0.130 | 2.80 | 3.30 |
| L | 0.295 | 0.305 | 7.50 | 7.74 |
| M | 0° | | 10° | |
| S | 0.020 | 0.040 | 0.51 | 1.01 |

SO 16 = -5P
 PLASTIC PACKAGE
 (ML3371-5P, ML3372-5P)
 CASE 751B-05
 (SO-16)
 ISSUE J



NOTES:

1. DIMENSIONING AND TOLERANCING PER ANSI Y14.5M, 1982.
2. CONTROLLING DIMENSION: MILLIMETER.
3. DIMENSIONS A AND B DO NOT INCLUDE MOLD PROTRUSION.
4. MAXIMUM MOLD PROTRUSION 0.15 (0.006) PER SIDE.
5. DIMENSION D DOES NOT INCLUDE DAMBAR PROTRUSION. ALLOWABLE DAMBAR PROTRUSION SHALL BE 0.127 (0.005) TOTAL IN EXCESS OF THE D DIMENSION AT MAXIMUM MATERIAL CONDITION.

| DIM | MILLIMETERS | | INCHES | |
|-----|-------------|-------|-----------|-------|
| | MIN | MAX | MIN | MAX |
| A | 9.80 | 10.00 | 0.386 | 0.393 |
| B | 3.80 | 4.00 | 0.150 | 0.157 |
| C | 1.35 | 1.75 | 0.054 | 0.068 |
| D | 0.35 | 0.49 | 0.014 | 0.019 |
| F | 0.40 | 1.25 | 0.016 | 0.049 |
| G | 1.27 BSC | | 0.050 BSC | |
| J | 0.19 | 0.25 | 0.008 | 0.009 |
| K | 0.10 | 0.25 | 0.004 | 0.009 |
| M | 0° | | 7° | |
| P | 5.80 | 6.20 | 0.229 | 0.244 |
| R | 0.25 | 0.50 | 0.010 | 0.019 |

Lansdale Semiconductor reserves the right to make changes without further notice to any products herein to improve reliability, function or design. Lansdale does not assume any liability arising out of the application or use of any product or circuit described herein; neither does it convey any license under its patent rights nor the rights of others. "Typical" parameters which may be provided in Lansdale data sheets and/or specifications can vary in different applications, and actual performance may vary over time. All operating parameters, including "Typicals" must be validated for each customer application by the customer's technical experts. Lansdale Semiconductor is a registered trademark of Lansdale Semiconductor, Inc.