

IGBT MODULE (L series)

■ Features

- High Speed Switching
- Low Saturation Voltage
- Voltage Drive

■ Applications

- Inverter for Motor Drive
- AC and DC Servo Drive Amplifier
- Uninterruptible Power Supply
- Industrial Machines, such as Welding Machines

■ Maximum Ratings and Characteristics

● Absolute Maximum Ratings

Items	Symbols	Ratings	Units	
Collector-Emitter Voltage	V _{CEs}	600	V	
Gate-Emitter Voltage	V _{GES}	±20	V	
Collector Current	Continuous	I _c	400	
	1ms	I _{c pulse}	800	
	Continuous	-I _c	400	
	1ms	-I _{c pulse}	800	
Max. Power Dissipation	P _c	1600	W	
Operating Temperature	T _j	+150	°C	
Storage Temperature	T _{stg}	-40 to +125	°C	
Net. Weight		415	g	
Isolation Voltage	AC. 1min.	V _{isol}	2500	V
Screw Torque	Mounting *1	35	kg•cm	
	Terminals *2	45		
	Terminals *3	17		

*1 Recommendable Value 25 to 35kg•cm

*2 Recommendable Value 35 to 40kg•cm

*3 Recommendable Value 13 to 16kg•cm

● Electrical Characteristics (T_j=25°C)

Items	Symbols	Test Conditions	Min.	Typ.	Max.	Units
Zero Gate Voltage Collector Current	I _{CEs}	V _{GE} =0V V _{CE} =600V T _j =25°C			4.0	mA
Gate-Emitter Leakage Current	I _{GES}	V _{CE} =0V V _{GE} =±20V			400	nA
Gate-Emitter Threshold Voltage	V _{GE(th)}	V _{CE} =V _{GE} I _c =400mA	3.0		6.0	V
Collector-Emitter Saturation Voltage	V _{CE(sat)}	V _{GE} =15V I _c =400A		2.7	3.5	V
Input Capacitance	C _{ies}	V _{GE} =0V		38000		pF
Output Capacitance	C _{oes}	V _{CE} =10V		-		
Reverse Transfer Capacitance	C _{res}	f=1MHz		-		
Turn-on Time *4	t _{on}	V _{CC} =300V		0.6	0.8	μs
	t _r	I _c =400A		0.4	0.6	
Turn-off Time *5	t _{off}	V _{GE} =±15V		0.7	1.0	
	t _f	R _G =4.7Ω		0.2	0.35	
Diode Forward On-Voltage	V _F	I _F =400A V _{GE} =0V			2.5	V
Reverse Recovery Time	t _{rr}	I _F =400A -di/dt=1200A/μs V _{GE} =-10V			300	ns

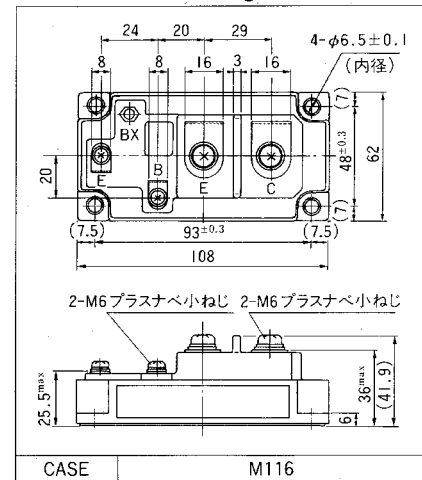
*4 Resistive load

*5 Inductive load

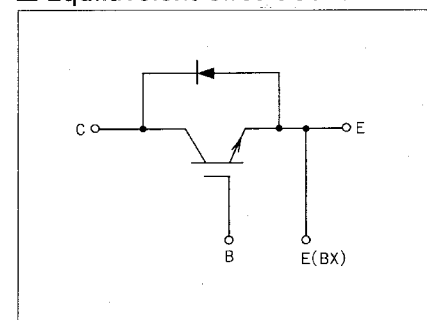
● Thermal Characteristics

Items	Symbols	Test Conditions	Min.	Typ.	Max.	Units
Thermal Resistance	R _{th(j-c)}	IGBT			0.078	°C/W
	R _{th(j-e)}	Diode			0.15	
	R _{th(c-f)}	With Thermal compound		0.0125		

■ Outline Drawings



■ Equilavent Circuit Schematic



For more information, contact:

Collmer Semiconductor, Inc.

P.O. Box 702708

Dallas, TX 75370

972-733-1700

972-381-9991 Fax

<http://www.collmer.com>