

LM3559

LM3559 Synchronous Boost Flash Driver with Dual 900 mA High Side Current Sources (1.8A Total Flash Current)



Literature Number: SNVS624

LM3559

Synchronous Boost Flash Driver with Dual 900 mA High Side Current Sources (1.8A Total Flash Current)

General Description

The LM3559 is a 2MHz fixed-frequency synchronous boost converter with two 900 mA constant current drivers for high-current white LEDs. The dual high-side current sources allow for grounded cathode LED operation and can be tied together for providing flash currents of up to 1.8A. An adaptive regulation method ensures the current for each LED remains in regulation and maximizes efficiency.

The LM3559 is controlled via an I²C-compatible interface. Features include: an internal 4-bit ADC to monitor the LED voltage, independent LED current control, a hardware flash enable allowing a logic input to trigger the flash pulse, dual TX inputs which force the flash pulse into a low-current torch mode allowing for synchronization to RF power amplifier events or other high-current conditions, an integrated comparator designed to monitor an NTC thermistor and provide an interrupt to the LED current, an input voltage monitor to monitor low battery conditions, and a flash current scale-back feature that actively monitors the battery voltage and optimizes the flash current during low battery voltage conditions. Additionally, an active high HWEN input provides a hardware shutdown during system software failures.

The 2MHz switching frequency, over-voltage protection and adjustable current limit allow for the use of tiny, low profile (1 μ H or 2.2 μ H) inductors and (10 μ F) ceramic capacitors. The device is available in a ultra-small 16-bump (1.97mm x 1.97mm x 0.6mm) micro SMD package and operates over the -40°C to +85°C temperature range.

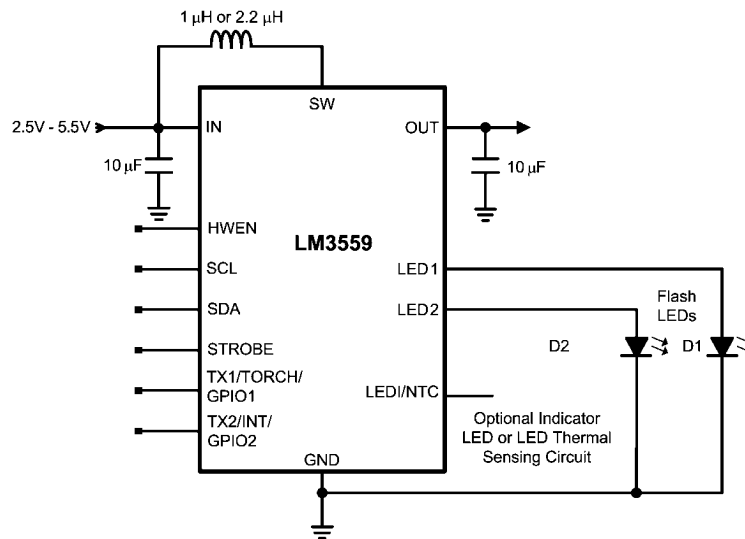
Features

- Dual High-Side Current Sources Allow for Grounded Cathode LED Operation
- Accurate and Programmable LED Current from 28.125mA to 1.8A
- Optimized Flash Current During Low Battery Conditions
- Independent LED Current Source Programmability
- >90% Efficiency
- Ultra-Small (Total) Solution Size: < 26mm²
- Four Operating Modes: Torch, Flash, Privacy Indicate, and Message Indicator
- 4-bit ADC for V_{LED} Monitoring
- Battery Voltage Sensing and Current Scale-Back
- LED Thermal Sensing and Current Scale-Back
- Hardware Flash and Torch Enable
- Dual Synchronization Inputs for RF Power Amplifier Pulse Events
- LED and Output Disconnect During Shutdown
- Open and Short LED Detection
- 400 kHz I²C-Compatible Interface
- Active Low Hardware Reset
- 16-Bump (1.97mm x 1.97mm x 0.6mm) micro SMD

Applications

- Camera Phone LED Flash
- White LED Biasing

Typical Application Circuit

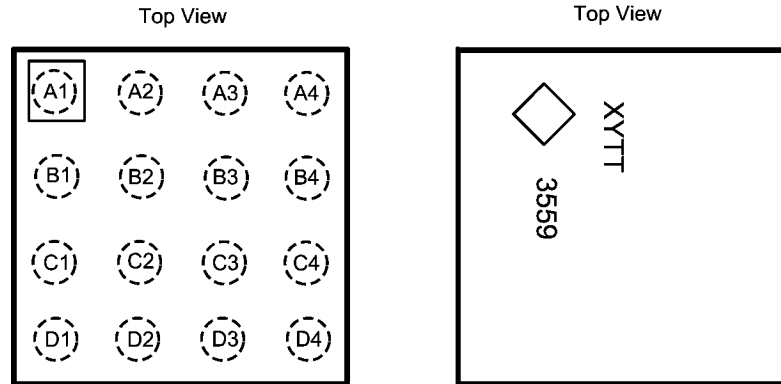


30102801

Application Circuit Component List

Component	Manufacturer	Value	Part Number	Size (mm)	Rating
L	Toko	1 μ H	FDSD0312-1R0	3 x 3 x 1.2	3.3A
CIN/COU	Murata	10 μ F	GRM188R60J106M	1.6 x 0.8 x 0.8 (0603)	6.3V
LEDs	Lumiled		PWF-4		VF = 3.6@ 1A

Connection Diagram



16-Bump 1.97 mm x 1.97 mm x 0.6 mm micro SMD Package TLA16³⁰¹⁰²⁸⁰²
XY (Date Code), TT (Die Traceability)

Ordering Information

Order Number	Package	Supplied As	No-Lead
LM3559TLE	micro SMD	250 units, Tape-and-Reel	YES (NOPB)
LM3559TLX	micro SMD	3000 units, Tape-and-Reel	YES (NOPB)

Pin Descriptions

Pin	Name	Function
A1	LED1	High Side Current Source Output for Flash LED1.
A2, B2	OUT	Step-Up DC/DC Converter Output. Connect a 10 μ F ceramic capacitor between this pin and GND.
A3, B3	SW	Drain Connection for Internal NMOS and Synchronous PMOS Switches.
A4, B4	GND	Ground
B1	LED2	High-Side Current Source Output for Flash LED2.
C1	LEDI/NTC	Configurable as a High-Side Current Source Output for Indicator LED or Comparator Input for LED Temperature Sensing.
C2	TX1/TORCH/ GPIO1	Configurable as a Dual-Polarity RF Power Amplifier Synchronization Input, a hardware Torch mode enable, or as a General Purpose Logic I/O. This pin has an internal 300 k Ω pulldown to GND.
C3	STROBE	Active High Hardware Flash Enable. Drive STROBE high to turn on the Flash current pulse. This pin has an internal 300 k Ω pulldown to GND.
C4	IN	Input Voltage Connection. Connect IN to the input supply, and bypass to GND with a minimum 10 μ F or larger ceramic capacitor.
D1	TX2/INT/GPIO2	Configurable as a Dual-Polarity Power Amplifier Synchronization Input, an Interrupt Output, or as a General Purpose Logic I/O. This pin has an internal 300 k Ω pulldown to GND.
D2	SDA	Serial Data Input/Output. High impedance in shutdown or in power down.
D3	SCL	Serial Clock Input. High impedance in shutdown or in power down.
D4	HWEN	Logic High Hardware Enable. HWEN is a high impedance input and is normally connected with an external pull up resistor to a logic high voltage.

Absolute Maximum Ratings *(Note 1, Note 2)*

2)

If Military/Aerospace specified devices are required, please contact the National Semiconductor Sales Office/Distributors for availability and specifications.

V_{IN}	-0.3V to 6V
V_{SCL} , V_{SDA} , V_{HWEN} , V_{STROBE} , V_{TX1} , V_{TX2} , V_{LED1} , V_{LED2} , $V_{LED1/NTC}$	-0.3V to the lesser of (V_{IN} +0.3V) w/ 6.0V max
V_{SW} , V_{OUT}	-0.3V to +6V
Continuous Power Dissipation <i>(Note 3)</i>	Internally Limited
Junction Temperature (T_{J-MAX})	+150°C
Storage Temperature Range	-65°C to +150°C
Maximum Lead Temperature (Soldering)	<i>(Note 4)</i>
ESD Rating (Human Body Model)	2kV

Electrical Characteristics *(Note 2, Note 7)*

Limits in standard typeface are for $T_A = +25^\circ\text{C}$. Limits in **boldface** type apply over the full operating ambient temperature range ($-40^\circ\text{C} \leq T_A \leq +85^\circ\text{C}$). Unless otherwise specified, $V_{IN} = 3.6\text{V}$, $V_{HWEN} = V_{IN}$.

Operating Ratings *(Note 1, Note 2)*

V_{IN}	2.5V to 5.5V
Junction Temperature (T_J)	-40°C to +125°C
Ambient Temperature (T_A)	-40°C to +85°C

(Note 5)

Thermal Properties

Thermal Junction-to-Ambient Resistance (θ_{JA})	50.4°C/W
--	----------

(Note 6)

ESD Caution Note:

National Semiconductor recommends that all integrated circuits be handled with appropriate ESD precautions. Failure to observe proper ESD handling techniques can result in damage to the device.

Symbol	Parameter	Conditions	Min	Typ	Max	Units	
Current Source Specifications							
I_{LED}	Current Source Accuracy	$I_{LED1} + I_{LED2}$, $3.0\text{V} \leq V_{IN} \leq 4.2\text{V}$, $V_{OUT} = 4.5\text{V}$	900 mA Flash Current Setting, per current source	$-40^\circ\text{C} \leq T_A \leq +85^\circ\text{C}$	-7%	1800	+7%
			28.125 mA Torch Current, per current source	$T_A = +25^\circ\text{C}$	-4%		+4%
				$-40^\circ\text{C} \leq T_A \leq +85^\circ\text{C}$	-10%	56.2	+10%
$V_{OUT} - V_{LED1/2}$	Current Source Regulation Voltage	$I_{LED} = 1.8\text{A}$ ($I_{LED1} + I_{LED2}$) $V_{OUT} = 4.5\text{V}$		270		mV	
V_{OVP}	Output Over-Voltage Protection Trip Point <i>(Note 9)</i>	ON Threshold	4.925	5	5.075	V	
		OFF Threshold		4.88			
Step-Up DC/DC Converter Specifications							
R_{PMOS}	PMOS Switch On-Resistance	$I_{PMOS} = 1\text{A}$		80		mΩ	
R_{NMOS}	NMOS Switch On-Resistance	$I_{NMOS} = 1\text{A}$		80		mΩ	

Symbol	Parameter	Conditions	Min	Typ	Max	Units	
I_{CL}	Switch Current Limit (Note 8)	$3.0V \leq V_{IN} \leq 4.2V$	Flash Duration Register Bits [6:5] = 00	1.2	1.4	1.6	A
			Flash Duration Register Bits [6:5] = 01	1.8	2.1	2.3	
			Flash Duration Register Bits [6:5] = 10	2.4	2.7	3	
			Flash Duration Register Bits [6:5] = 11	2.9	3.2	3.5	
I_{OUT_SC}	Output Short-Circuit Current Limit	$V_{OUT} < 2.3V$		350		mA	
$I_{LEDI/NTC}$	Indicator Current	Register 0x12, bits[2:0] = 111, $2.7V \leq V_{IN} \leq 4.2V$, $V_{LEDI/NTC} = 2V$	16	18	20	mA	
V_{TRIP}	Comparator Trip Threshold	Configuration Register 1, bit [4] = 1, $3.0V \leq V_{IN} \leq 4.2V$	0.97	1	1.03	V	
f_{SW}	Switching Frequency	$2.7V \leq V_{IN} \leq 5.5V$	1.8	2	2.2	MHz	
I_Q	Quiescent Supply Current	Device Not Switching, $V_{OUT} = 3V$		650		μA	
		Device Switching, $V_{OUT} = 4.5V$		1.55		mA	
		Indicate Mode, Indicator Register Bits [2:0] = 111, $V_{LEDI/NTC} = 2V$		590	750	μA	
I_{SHDN}	Shutdown Supply Current	$2.7V \leq V_{IN} \leq 5.5V$	HWEN = GND		1	μA	
I_{STBY}	Standby Supply Current	$2.7V \leq V_{IN} \leq 5.5V$	HWEN = V_{IN} , Enable Register Bits [1:0] = 00	1.25	2.4	μA	
V_{IN_TH}	VIN Monitor Threshold	VIN Monitor Register = 0x01	2.85	2.9	2.95	V	
$V_{IN_FLASH_TH}$	VIN Flash Monitor Threshold	VIN Monitor Register = 0x08	2.85	2.9	2.95	V	
t_{TX}	Flash-to-Torch LED Current Settling Time	TX_ Low to High, $I_{LED1} + I_{LED2} = 1.8A$ to 112.5mA		20		μs	
t_D	Time from when I_{LED} hits target until VLED data is available	ADC Delay Register Bit [5] = 1		16		μs	
		ADC Delay Register Bit [5] = 0 ADC Delay Register Bits [4:0] = 0000		250			
V_{F_ADC}	ADC Threshold	VLED Monitor Register Bits [3:0] = 1111	4.4	4.6	4.8	V	

Symbol	Parameter	Conditions	Min	Typ	Max	Units
HWEN, STROBE, TX1/TORCH/GPIO1, TX2/INT/GPIO2 Voltage Specifications						
V_{IL}	Input Logic Low	$2.7V \leq V_{IN} \leq 5.5V$	0		0.4	V
V_{IH}	Input Logic High	$2.7V \leq V_{IN} \leq 5.5V$	1.2		V_{IN}	V
R_{PD}	Internal Pulldown Resistance on TX1, TX2, STROBE			300		k Ω
I²C-Compatible Voltage Specifications (SCL, SDA)						
V_{IL}	Input Logic Low	$2.7V \leq V_{IN} \leq 5.5V$	0		0.4	V
V_{IH}	Input Logic High	$2.7V \leq V_{IN} \leq 5.5V$	1.3		V_{IN}	V
V_{OL}	Output Logic Low (SDA)	$I_{LOAD} = 3mA,$ $2.7V \leq V_{IN} \leq 5.5V$			0.4	V
I²C-Compatible Timing Specifications (SCL, SDA) (Note 10)						
$1/t_1$	SCL(Clock Frequency)			400		kHz
t_2	Data In Setup Time to SCL High		100			ns
t_3	Data Out Stable After SCL Low		0			ns
t_4	SDA Low Setup Time to SCL Low (Start)		100			ns
t_5	SDA High Hold Time After SCL High (Stop)		100			ns

Note 1: Absolute Maximum Ratings indicate limits beyond which damage to the device may occur. Operating Ratings are conditions under which operation of the device is guaranteed. Operating Ratings do not imply guaranteed performance limits. For guaranteed performance limits and associated test conditions, see the Electrical Characteristics table.

Note 2: All voltages are with respect to the potential at the GND pin.

Note 3: Internal thermal shutdown circuitry protects the device from permanent damage. Thermal shutdown engages at $T_{J=+150^{\circ}C}$ (typ.) and disengages at $T_{J=+135^{\circ}C}$ (typ.). Thermal shutdown is guaranteed by design.

Note 4: For detailed soldering specifications and information, please refer to National Semiconductor Application Note 1112: Micro SMD Wafer Level chip Scale Package (AN-1112)

Note 5: In applications where high power dissipation and/or poor package thermal resistance is present, the maximum ambient temperature may have to be derated. Maximum ambient temperature (T_{A-MAX}) is dependent on the maximum operating junction temperature ($T_{J-MAX-OP} = +125^{\circ}C$), the maximum power dissipation of the device in the application (P_{D-MAX}), and the junction-to-ambient thermal resistance of the part/package in the application (θ_{JA}), as given by the following equation: $T_{A-MAX} = T_{J-MAX-OP} - (\theta_{JA} \times P_{D-MAX})$.

Note 6: Junction-to-ambient thermal resistance (θ_{JA}) is taken from a thermal modeling result, performed under the conditions and guidelines set forth in the JEDEC standard JESD51-7. The test board is a 4-layer FR-4 board measuring 102 mm x 76 mm x 1.6 mm with a 2x1 array of thermal vias. The ground plane on the board is 50 mm x 50 mm. Thickness of copper layers are 36 μm /18 μm /18 μm /36 μm (1.5 oz/1oz/1oz/1.5 oz). Ambient temperature in simulation is 22 $^{\circ}C$, still air. Power dissipation is 1W.

Note 7: Min and Max limits are guaranteed by design, test, or statistical analysis. Typical (Typ) numbers are not guaranteed, but do represent the most likely norm. Unless otherwise specified, conditions for typical specifications are: $V_{IN} = 3.6V$ and $T_A = +25^{\circ}C$.

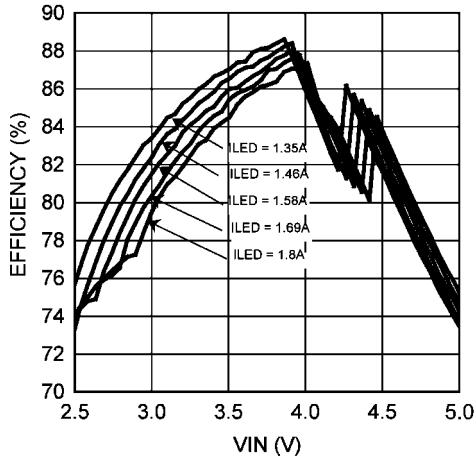
Note 8: The typical curve for Current Limit is measured in closed loop using the typical application circuit, and increasing I_{OUT} until the peak inductor current stops increasing. The value given in the Electrical Table is measured open loop and is found by forcing current into SW until the current limit comparator threshold is reached. Closed loop data appears higher due to the delay between the comparator trip point and the NFET turning off. This delay allows the closed loop inductor current to ramp higher after the trip point by approximately $20 ns \times V_{IN}/L$.

Note 9: The typical curve for Over-Voltage Protection (OVP) is measured in closed loop using the typical application circuit. The OVP value is found by forcing an open circuit in the LED1 and LED2 path and recording the peak value of V_{OUT} . The value given in the Electrical Table is found in an open loop configuration by ramping the voltage at OUT until the OVP comparator trips. The closed loop data can appear higher due to the stored energy in the inductor being dumped into the output capacitor after the OVP comparator trips. At worst case is an open circuit condition where the output voltage can continue to rise after the OVP comparator trips by approximately $I_{IN} \times \sqrt{L/C_{OUT}}$.

Note 10: Guaranteed by design, not production tested.

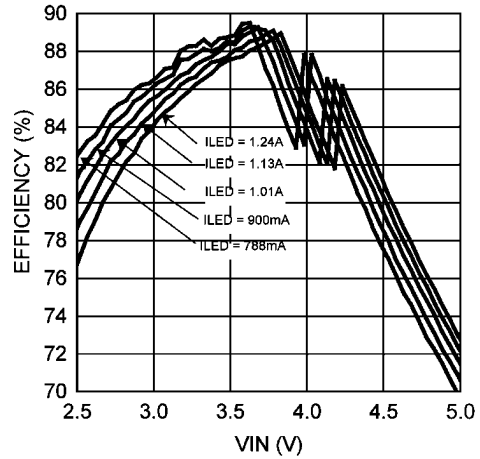
Typical Performance Characteristics $V_{IN} = 3.6V$, $C_{OUT} = 10\mu F$, $C_{IN} = 10\mu F$, $L = 1\mu H$ (TOKO FDSD0312-1R0, $R_L = 43\ m\Omega$), Typical Application Circuit, unless otherwise noted.

LED Efficiency vs VIN
Dual LED's (Flash Brightness Codes 0xBB - 0xFF)



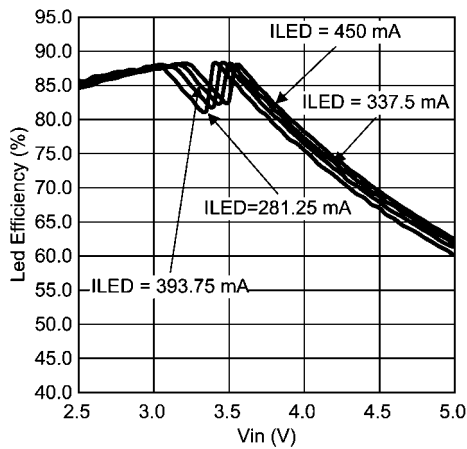
30102848

LED Efficiency vs VIN
Dual LED's (Flash Brightness Codes 0x88 - 0xAA)



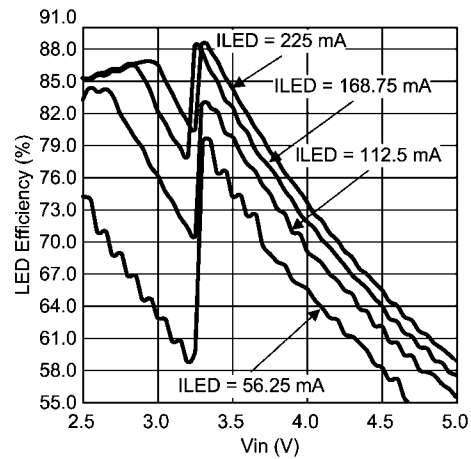
30102849

LED Efficiency vs VIN
Dual LED's (Torch Brightness Codes 0x0F - 0xCF)



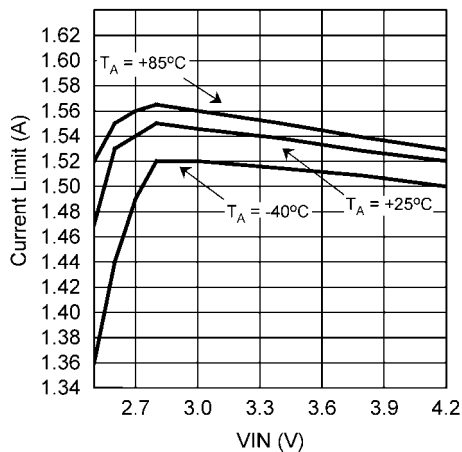
30102853

LED Efficiency vs VIN
Dual LED's (Torch Brightness Codes 0x00 - 0x04)



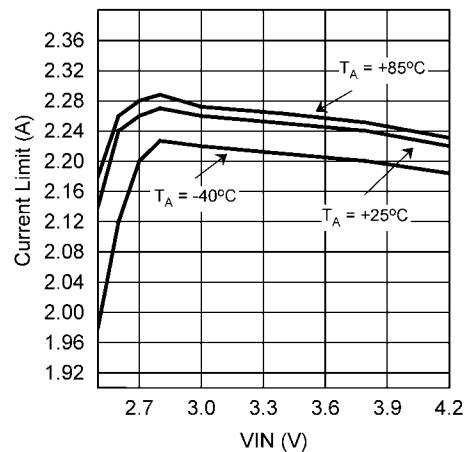
30102852

Closed loop Current Limit vs V_{IN}
Flash Duration Register bits [6:5]=00 (Note 8)



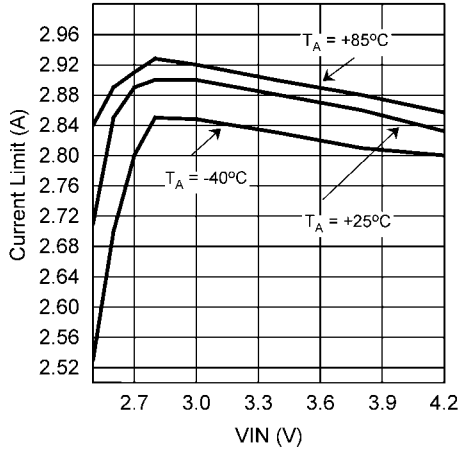
30102885

Closed loop Current Limit vs V_{IN}
Flash Duration Register bits [6:5]=01 (Note 8)



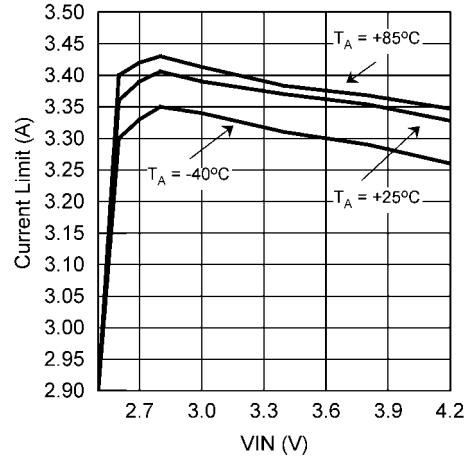
30102886

Closed loop Current Limit vs V_{IN}
Flash Duration Register bits [6:5]=10 (Note 8)



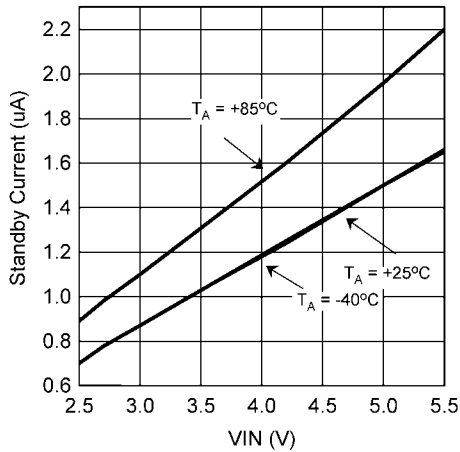
30102887

Closed loop Current Limit vs V_{IN}
Flash Duration Register bits [6:5]=11 (Note 8)



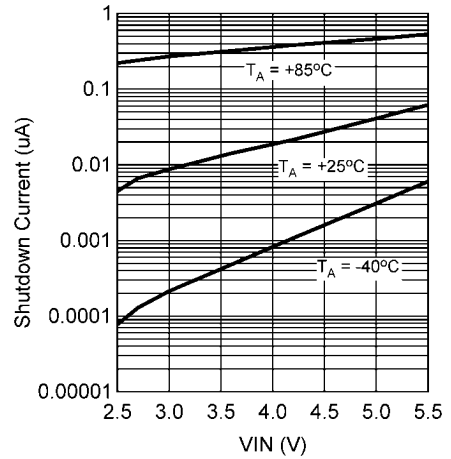
30102888

Standby Current vs V_{IN}
 $V_{HWEN}=V_{IN}$, Enable Register = 0x18



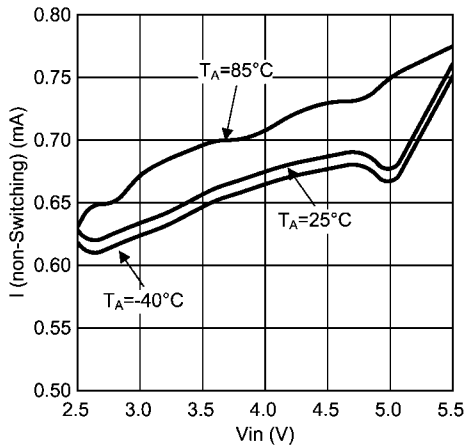
30102897

Shutdown Current vs V_{IN}
 $V_{HWEN}=0V$



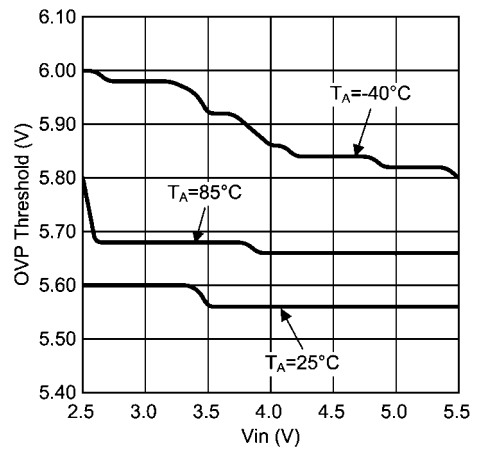
30102898

Non-Switching Current vs V_{IN}

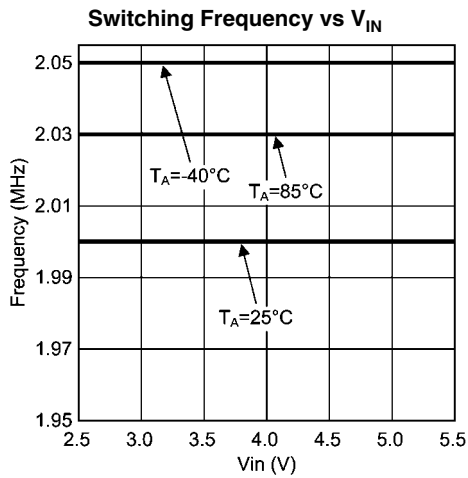


30102861

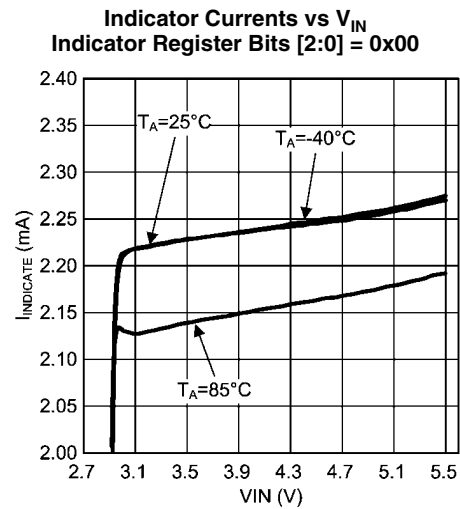
OVP Thresholds vs V_{IN} (Note 9)



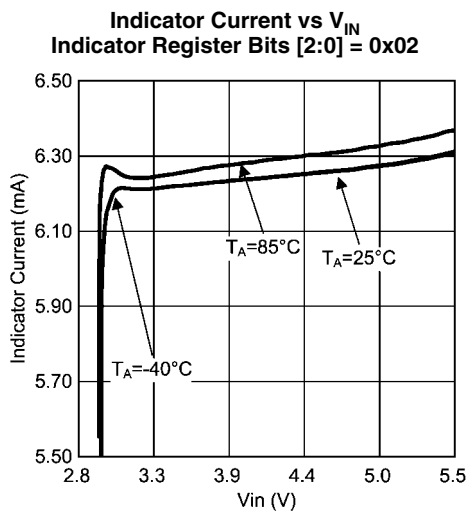
30102862



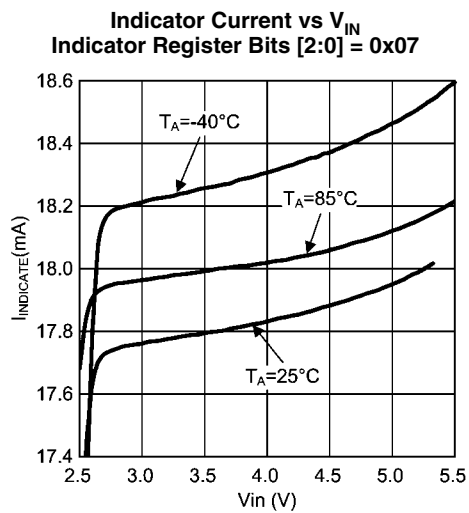
30102863



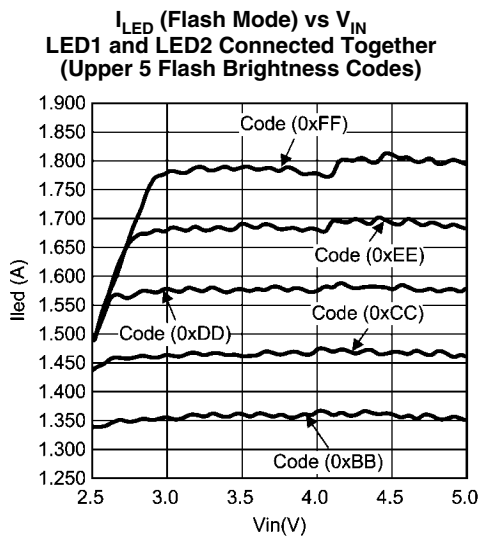
30102867



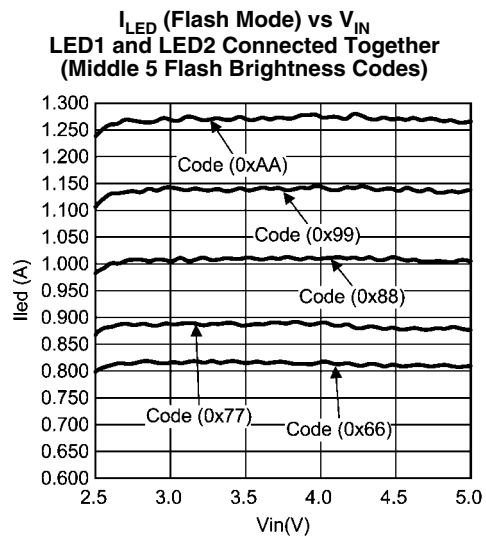
30102868



30102876

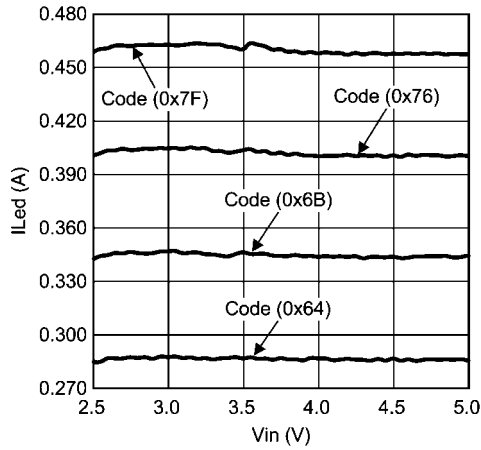


30102872



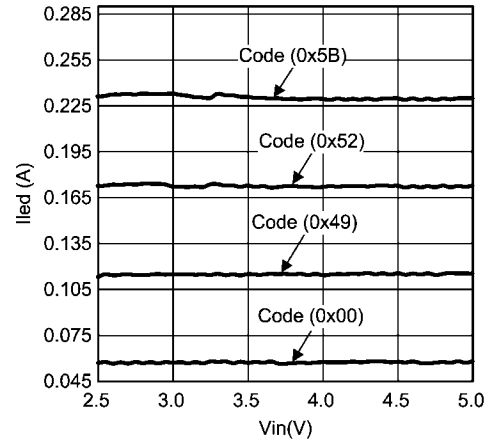
30102873

**I_{LED} (Torch Mode) vs V_{IN}
LED1 and LED2 Connected Together
(Upper 4 Torch Brightness Codes)**



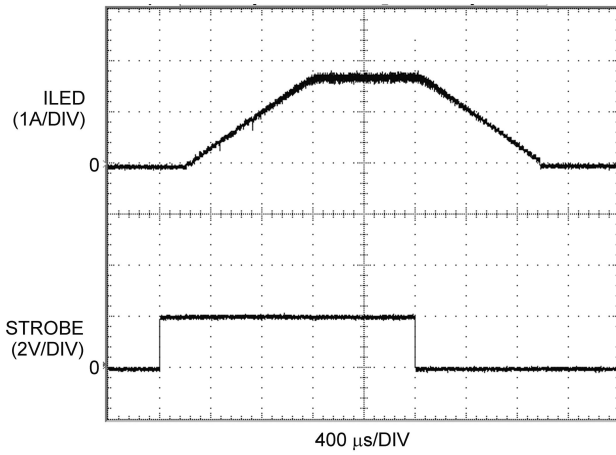
30102874

**I_{LED} (Torch Mode) vs V_{IN}
LED1 and LED2 Connected Together
(Lower 4 Torch Brightness Codes)**



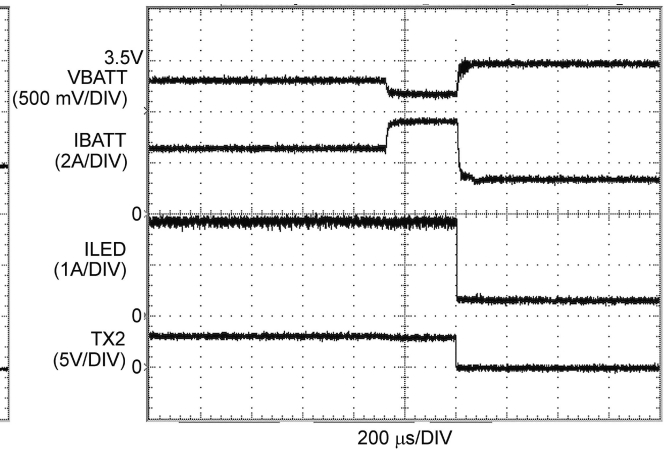
30102875

STROBE High to Flash LED Current



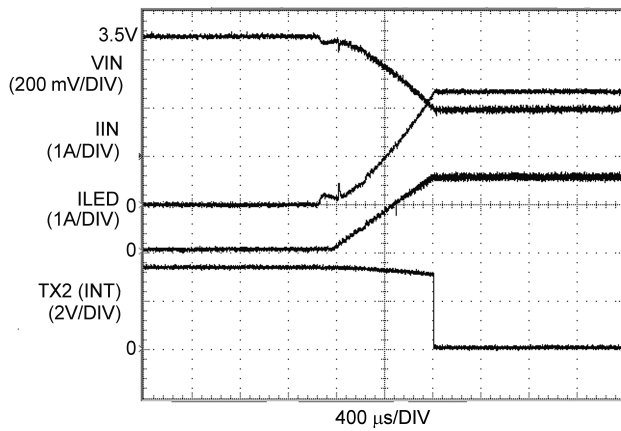
30102877

VIN Monitor Operation



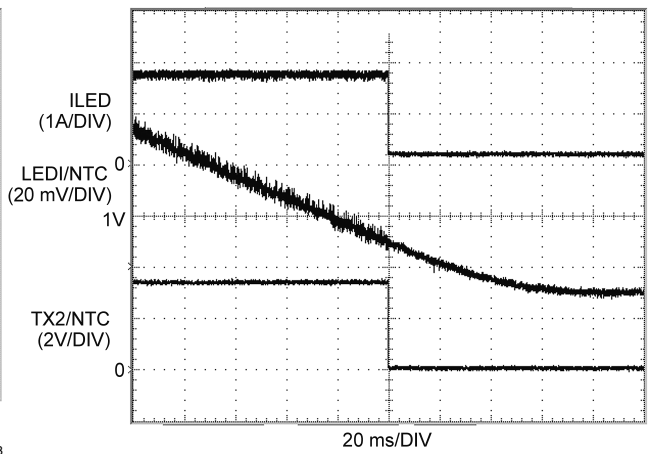
30102882

VIN Flash Monitor Operation



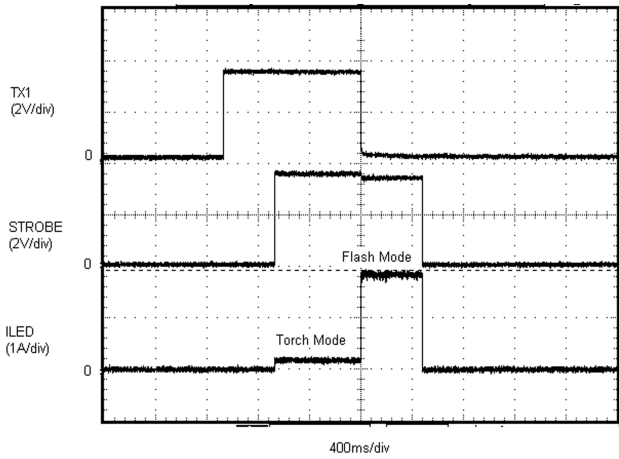
30102883

NTC Mode Operation



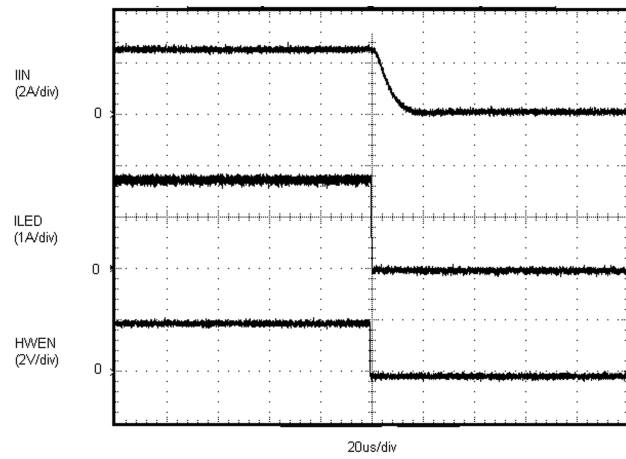
30102884

AET Mode Operation



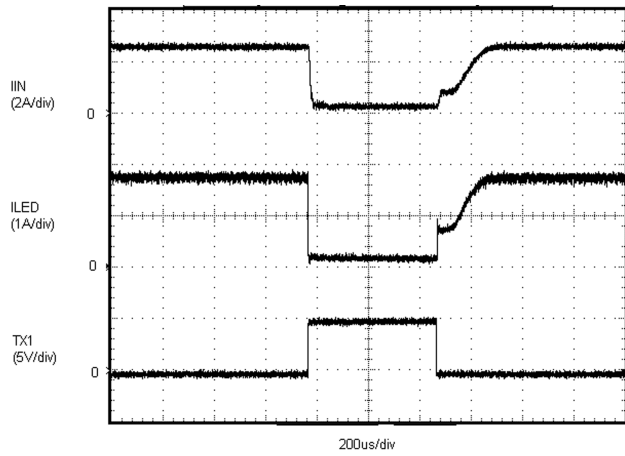
30102878

**HWEN Operation
Device Enabled in Flash Mode**



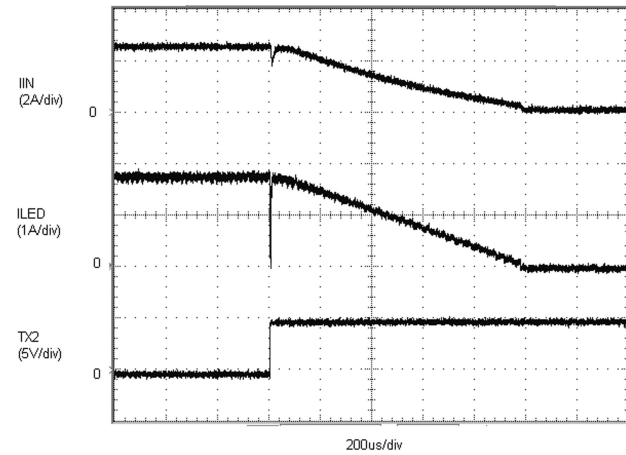
30102879

TX1 Interrupt (Force Torch)



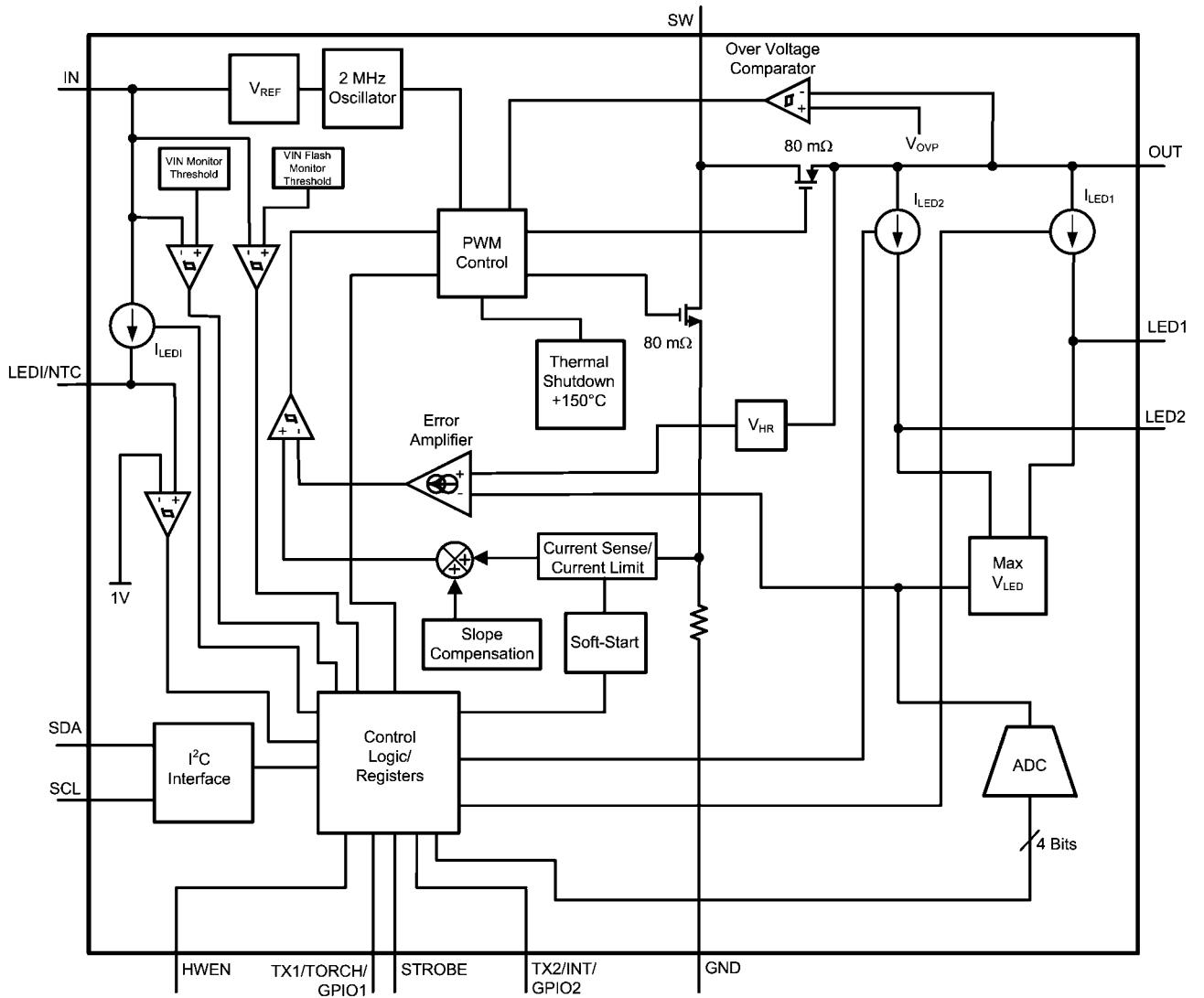
30102880

**TX2 Interrupt (Force Shutdown)
TX2 Active High**



30102881

Block Diagram



30102805

Overview

The LM3559 is a high-power white LED flash driver capable of delivering up to 1.8A of LED current into a single LED, or up to 900 mA into two parallel LEDs. The device incorporates a 2MHz constant frequency, synchronous boost converter, and two high side current sources to regulate the LED current over the 2.5V to 5.5V input voltage range.

During operation when the output voltage is greater than $V_{IN} - 150\text{mV}$ the boost converter switches and maintains at least 270 mV across both current sources (LED1 and LED2). This minimum headroom voltage ensures that the current sinks remain in regulation. When the input voltage rises above the LED voltage + current source headroom voltage, the device stops switching and turns the PFET on continuously (Pass mode). In Pass mode the difference between $(V_{IN} - I_{LED} \times R_{ON_P})$, and the voltage across the LEDs is dropped across the current sources.

Four hardware control pins provide control of the LM3559. These include a hardware Flash Enable (STROBE), Dual Flash Interrupt inputs (TX1 and TX2) designed to interrupt the flash pulse during high-battery current conditions, and a logic high hardware enable (HWEN) that can be pulled low to rapidly place the device into shutdown. Additional features of the LM3559 include an internal 4-bit ADC for LED voltage monitoring, an internal comparator for LED thermal sensing via an external NTC thermistor, a battery voltage monitor during flash current turn-on which monitors VIN and optimizes the flash current during low-battery voltage conditions, an input voltage monitor that can force Torch mode or LED shutdown of the Flash current during input under voltage conditions, a low-power Indicator current source with programmable patterns, and a mode for utilizing the flash LEDs as a privacy indicator.

Control of the LM3559 is done via an I²C-compatible interface. This includes adjustment of the Flash and Torch current levels, adjustment of the indicator LED currents and indicator pattern, changing the Flash Timeout Duration, changing the switch current limit, and reading back the ADC results. Additionally, there are 8 flag bits that indicate flash current timeout, LED over-temperature, LED failure (by sensing LED short or output OVP condition during Flash, Torch, or Privacy mode), device thermal shutdown, V_{IN} under-voltage condition, tripping of the VIN Flash Monitor, and the occurrence of a TX interrupt (both TX1 and TX2).

STARTUP (ENABLING THE DEVICE)

Turn-on of the LM3559 is done through bits [1:0] of the Enable Register. Bits [1:0] enable the device in Torch mode, Flash mode, or Privacy Indicate mode. Additionally, bit 6 enables the message indicator at the LEDI/NTC pin. On startup, when V_{OUT} is less than V_{IN} , the internal synchronous PFET turns on as a current source and delivers 350 mA to the output capacitor. During this time both current sources (LED1, and LED2) are off. When the voltage across the output capacitor reaches 2.2V the active current sources can turn on. At turn-on the current sources step through each FLASH and TORCH level until their target LED current is reached (32 $\mu\text{s}/\text{step}$). This gives the device a controlled turn-on and limits inrush current from the V_{IN} supply.

INDEPENDENT LED CONTROL

Bits [4:3] of the Enable register provide for independent turn-on and turn-off of the LED1 or LED2 current sources. The LED current is adjusted by writing to the Torch Brightness or Flash Brightness Registers. Both the Torch Brightness and the Flash Brightness Register provide for independent current

programming for the LED currents in either LED1 or LED2. (See [TORCH BRIGHTNESS REGISTER](#) and [FLASH BRIGHTNESS REGISTER](#) Descriptions.)

PASS MODE

At turn-on when the output voltage charges up to $(V_{IN} - 150\text{mV})$, the LM3559 will decide if the part operates in Pass Mode or Boost mode. If the voltage difference between V_{OUT} and V_{LED} is less than 270 mV, the device operates in Boost Mode. If the difference between V_{OUT} and V_{LED} is greater than 270 mV, the device operates in Pass Mode. In Pass Mode the boost converter stops switching, and the synchronous PFET turns fully on bringing V_{OUT} up to $V_{IN} - I_{IN} \times R_{PMOS}$ ($R_{PMOS} = 80\text{m}\Omega$). In Pass Mode the inductor current is not limited by the peak current limit. In this situation the output current must be limited to 3A.

OVER-VOLTAGE PROTECTION

The output voltage is limited to typically 5V (5.075V max). In situations such as the current source open, the LM3559 will raise the output voltage in order to try to keep the LED current at its target value. When V_{OUT} reaches 5V the over-voltage comparator will trip and turn off both the internal NFET and PFET switches. When V_{OUT} falls below 4.88V (typical), the LM3559 will begin switching again.

CURRENT LIMIT

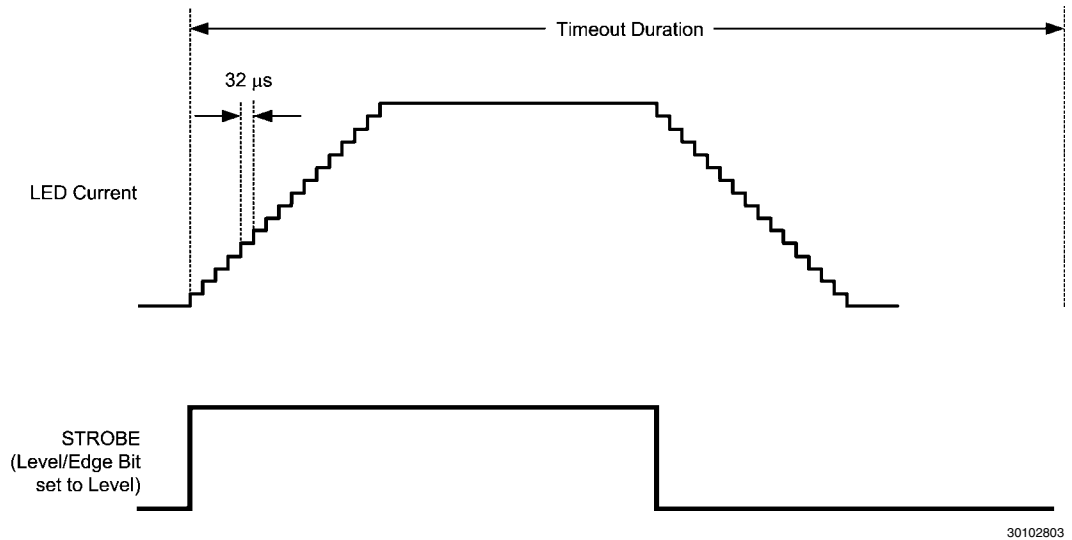
The LM3559 features 4 selectable current limits: 1.4A, 2.1A, 2.7A, and 3.2A. These are programmable through the I²C-compatible interface via bits [6:5] of the Flash Duration Register. When the current limit is reached, the LM3559 stops switching for the remainder of the switching cycle.

Since the current limit is sensed in the NMOS switch there is no mechanism to limit the current when the device operates in Pass Mode. In situations where there could potentially be large load currents at OUT and the LM3559 is operating in Pass mode, the load current must be limited to 3A. In Boost mode or Pass mode, if V_{OUT} falls below approximately 2.3V the part stops switching, and the PFET operates as a current source, limiting the current to typically 350 mA. This prevents damage to the LM3559, and excessive current draw from the battery during output short-circuit conditions.

FLASH MODE

In Flash mode the LED current sources (LED1 and LED2) each provide 16 different current levels from typically 56.25 mA (total) to 1.8A (total) in steps of 56.25 mA. The Flash currents are adjusted via the Flash Brightness Register. Flash mode is activated by writing a (1, 1) to bits [1:0] of the Enable Register or by enabling the hardware flash input (STROBE) via bit [2] of Configuration Register 1 and then pulling the STROBE pin high (high polarity). Once the Flash sequence is activated both current sinks (LED1 and LED2) will ramp up to their programmed Flash current level by stepping through all Torch and Flash levels (32 $\mu\text{s}/\text{step}$) until the programmed current is reached.

Bit [5] of the Enable Register (STROBE Level/Edge bit) determines how the Flash pulse terminates. With the Level/Edge bit = 1 the Flash current will only terminate when it reaches the end of the Flash timeout period. With the Level/Edge bit = 0, Flash mode can be terminated by pulling STROBE low, programming bits [1:0] of the Enable Register with (0,0), or by allowing the Flash timeout period to elapse. If the Level/Edge bit = 0 and STROBE is toggled before the end of the Flash timeout period the timeout period will reset. [Figure 1](#) and [Figure 2](#) detail the Flash pulse termination for the different Level/Edge bit settings.



**FIGURE 1. LED Current for STROBE (Level Triggered, Enable Register Bit [5] = 0)
STROBE Goes Low Before the End of the Programmed Timeout Duration**

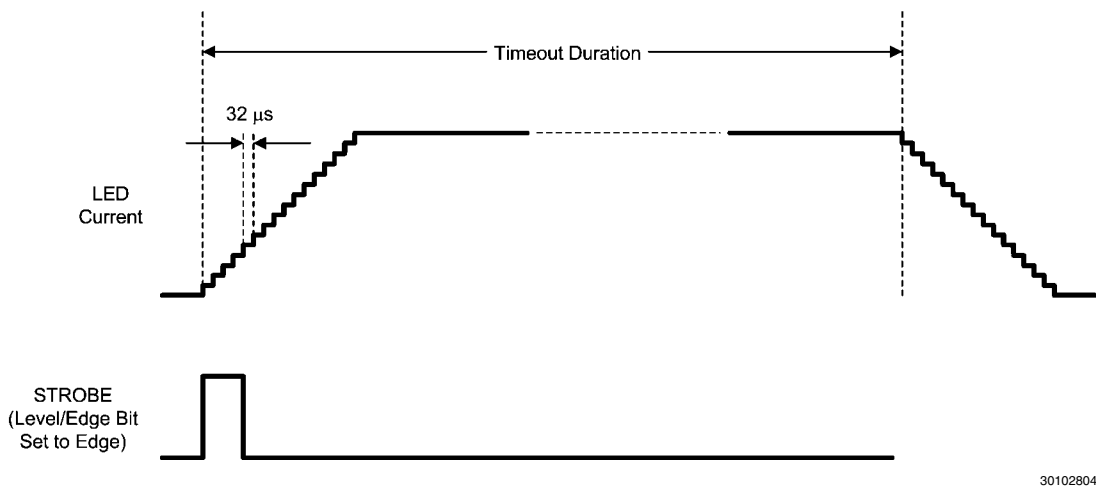


FIGURE 2. LED Current for STROBE (Edge Triggered, Enable Register Bit [5] = 1)

After the Flash pulse terminates; either by a flash timeout, pulling STROBE low or disabling it via the I²C-compatible interface, LED1 and LED2 turn completely off. This happens even when Torch is enabled via the I²C-compatible interface, and the Flash pulse is turned on by toggling STROBE. After a Flash event ends, the EN1, EN0 bits (bits [1:0] of the Enable Register) are automatically reset with (0, 0). The exception occurs when the Privacy Terminate Bit is low (bit [3]) in the Privacy Register. In this case, the specific current source that is enabled for privacy mode will turn back on after the flash pulse if Privacy mode had been enabled before the flash pulse.

FLASH TIMEOUT

The Flash Timeout period sets the amount of time that the Flash Current is being sourced from current sources LED1 and LED2. Bits [4:0] of the Flash Duration Register set the Flash Timeout period. There are 32 different Flash Timeout

durations in steps of 32 ms giving a Flash timeout range of 32 ms to 1024 ms (see [Table 5](#)).

TORCH MODE

In Torch mode the current sources LED1 and LED2 each provide 8 different current levels ([Table 3](#)). Torch mode is activated by setting Enable Register bits [1:0] to (1, 0). Once Torch mode is enabled, the current sources will ramp up to the programmed Torch current level by stepping through all of the Torch currents at (32 μs/step) until the programmed Torch current level is reached.

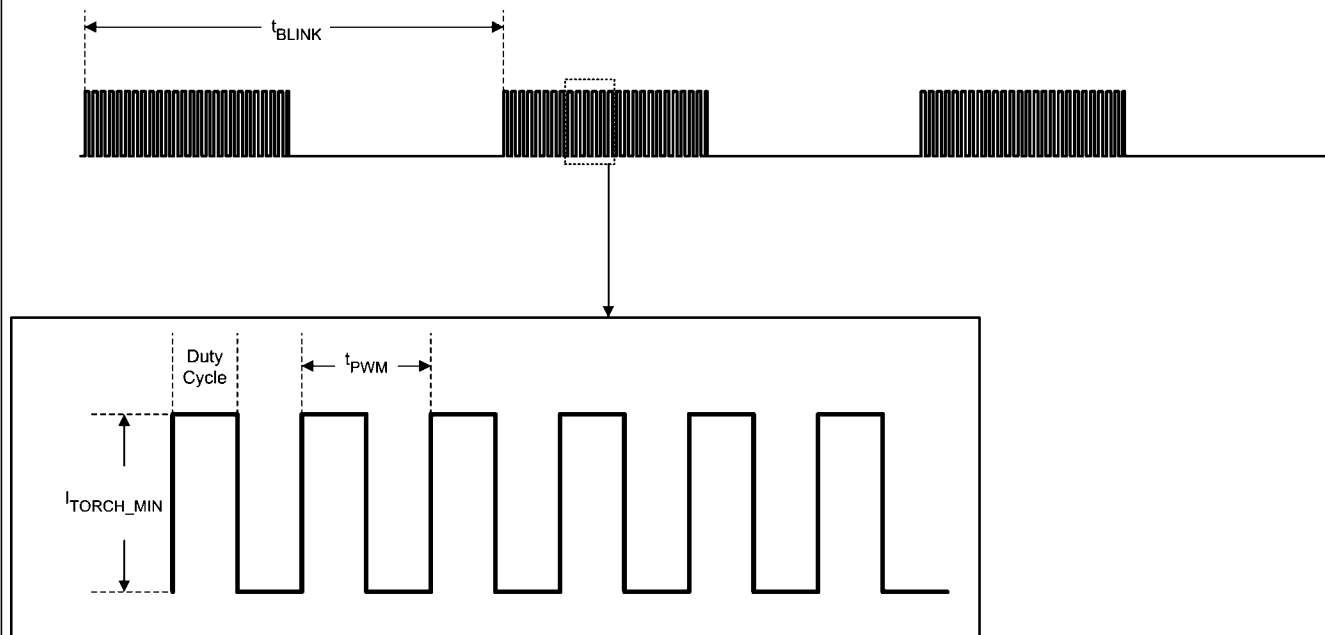
PRIVACY INDICATOR MODE

The current sources (LED1 and/or LED2) can also be used as a privacy indicator before and after flash mode. Privacy indicate mode is enabled by setting the Enable Register bit [1:0] to (0,1). Additionally, the Privacy Register contains the bits to select which current source to use as the privacy indicator (either LED1, LED2, or both), whether or not the privacy

indicate mode turns off at the end of the flash pulse, and contains the 8 intensity levels for the privacy indicator.

The intensity of the LEDs in privacy indicate mode is set by PWM'ing the lowest Torch current level (28.125 mA). Bits

[2:0] of the Privacy Register allow for 8 different duty cycles of 10%, 20%, 30%, 40%, 50%, 60%, 70%, and 80%. See [Table 14](#) for Privacy Register Bit settings. [Figure 3](#) details the timing for the Privacy Indicate Mode on ILED1 or ILED2.



- t_{BLINK} set via bits [7:6] of Privacy Register
- Duty cycle set via bits [2:0] of Privacy Register
- t_{PWM} set via bits[2:0] of the Privacy PWM Register

30102806

FIGURE 3. Privacy Indicate Timing

POWER AMPLIFIER SYNCHRONIZATION (TX1)

The TX1/TORCH/GPIO1 pin has a triple function. With Configuration Register 1 Bit [7] = 0 (default) TX1/TORCH/GPIO1 is a Power Amplifier Synchronization input. This mode is designed to reduce the flash LED current when TX1 is pulled high (active high polarity) or low (active low polarity). When the LM3559 is engaged in a Flash event and the TX1/TORCH pin is pulled high, both LED1 and LED2 are forced into Torch mode at the programmed Torch current setting. If TX1 is then

pulled low before the Flash pulse terminates, the LED current will return to the previous Flash current level. At the end of the Flash timeout, whether the TX1/TORCH pin is high or low, the current sources will turn off.

The polarity of the TX1 input can be changed from active high to active low by writing a '0' to bit [5] of Configuration Register 1. With this bit set to '0' the LM3559 will be forced into Torch mode when TX1/TORCH is pulled low. [Figure 4](#) details the functionality of the TX1 Interrupt.

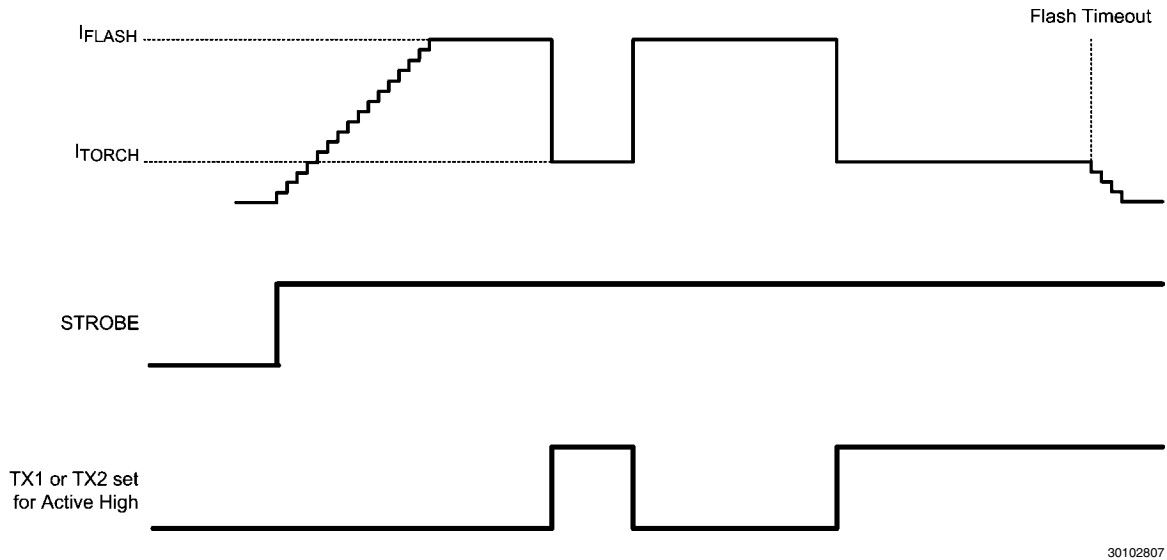


FIGURE 4. TX1 or TX2 Interrupt Event

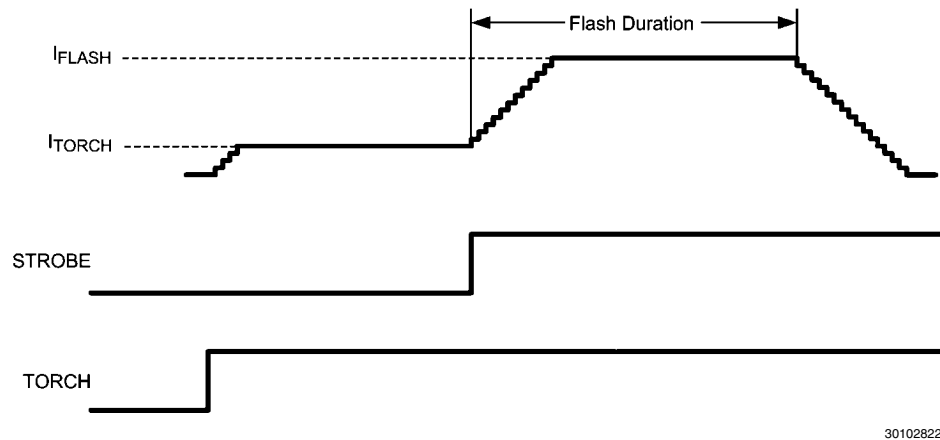


FIGURE 5. Hardware Torch Mode

HARDWARE TORCH

With Configuration Register 1 Bit [7] = 1, TX1/TORCH is configured as a hardware Torch mode enable. In this mode (TORCH mode), a high at TX1/TORCH turns on the LED current at the programmed Torch current setting. The STROBE input and I²C Enabled flash takes precedence over TORCH mode. In hardware torch mode, both LED1 and LED2 current sources will turn off after a flash event and Configuration Register 1 Bit [7] will be reset to 0. In this situation, to re-enter torch mode via hardware torch, the hardware torch enable bit (Configuration Register 1 Bit [7]) must be reset to 1. [Figure 5](#) details the functionality of the TX1/TORCH/GPIO1 input.

GPIO1 MODE

With Bit [0] of the GPIO Register set to 1, the TX1/TORCH/GPIO1 pin is configured as a logic I/O. In this mode the TX1/TORCH/GPIO1 pin is readable and writable as a logic input/output via bits [2:1] of the GPIO Register. See [Table 9](#).

TX2/INT/GPIO2

The TX2/INT/GPIO2 pin has a triple function. In TX2 mode (Default) the TX2/INT/GPIO2 pin is an active high Flash interrupt. With GPIO Register bit [3] = 1 the TX2/INT/GPIO2 pin is configured as general purpose logic I/O. With GPIO Register bit [6] = 1, and with the TX2/INT/GPIO2 pin configured as a GPIO2 output, the TX2/INT/GPIO2 pin is an interrupt output.

TX2 MODE

In TX2 mode, when Configuration Register 1, bit [6] = 0, the TX2/INT/GPIO2 pin has active low polarity. Under this condition when the LM3559 is engaged in a Flash event and TX2 is pulled low, both LED1 and LED2 are forced into Torch mode. In TX2 mode with Configuration Register 1, bit [6] = 1 the TX2/INT/GPIO2 input has active high polarity. Under this condition when the LM3559 is engaged in a Flash event and the TX2/INT/GPIO2 pin is driven high, both LED1 and LED2 are forced into Torch mode. During a flash interrupt event if the TX2/INT/GPIO2 input is disengaged the LED current will

return to the previous Flash current level. During a flash event, if TX2 is active, the LED current sources will still turn off after the Flash timeout. [Figure 4](#) details the functionality of the TX2 Interrupt.

TX2 Shutdown

TX2 also has the capability to force shutdown. Bit [0] of Configuration Register 2 set to a '1' changes the TX2 mode from a force Torch when active to a force shutdown when active. For example, if TX2/INT/GPIO2 is configured for TX2 mode with active high polarity, and bit [0] of Configuration Register 2 is set to '1' then when TX2 is driven high, the active current sources (LED1 and/or LED2) will be forced into shutdown. Once the active current sources are forced into shutdown by activating TX2, the current sources can only be re-enabled if TX2 is deactivated and the Flags Register is read back.

GPIO2 MODE

With Bit [3] of the GPIO Register set to 1, the TX2/INT/GPIO2 pin is configured as a logic I/O. In this mode the TX2/INT/GPIO2 pin is readable and writeable as a logic input/output via bits [5:4] of the GPIO Register. See [Table 9](#).

INTERRUPT OUTPUT (INT MODE)

The TX2/INT/GPIO2 pin can be reconfigured as an active low interrupt output by setting bit [6] in the GPIO Register to '1' and configuring TX2/INT/GPIO2 as a GPIO2 output. In this mode, TX2/INT/GPIO2 will pull low when any of these conditions exist.

1. The LM3559 is configured for NTC mode (Configuration Register 1 bit [4] = 1) and the voltage at LED1/NTC has fallen below VTRIP (1V typical).
2. The LM3559 is configured for VIN Monitor mode (VIN Monitor Register bit [0] = 1) and VIN is below the programmed VIN Monitor Threshold.
3. The LM3559 is configured for VIN Flash Monitor mode (VIN Monitor Register bit [3] = 1) and VIN falls below the programmed VIN Flash Monitor Threshold. [Figure 6](#) details the functionality of the TX2/INT/GPIO2 input.

Once INT is pulled low due to any of the above conditions having been met, INT will only go back high again if any of the conditions are no longer true and the Flags Register is read.

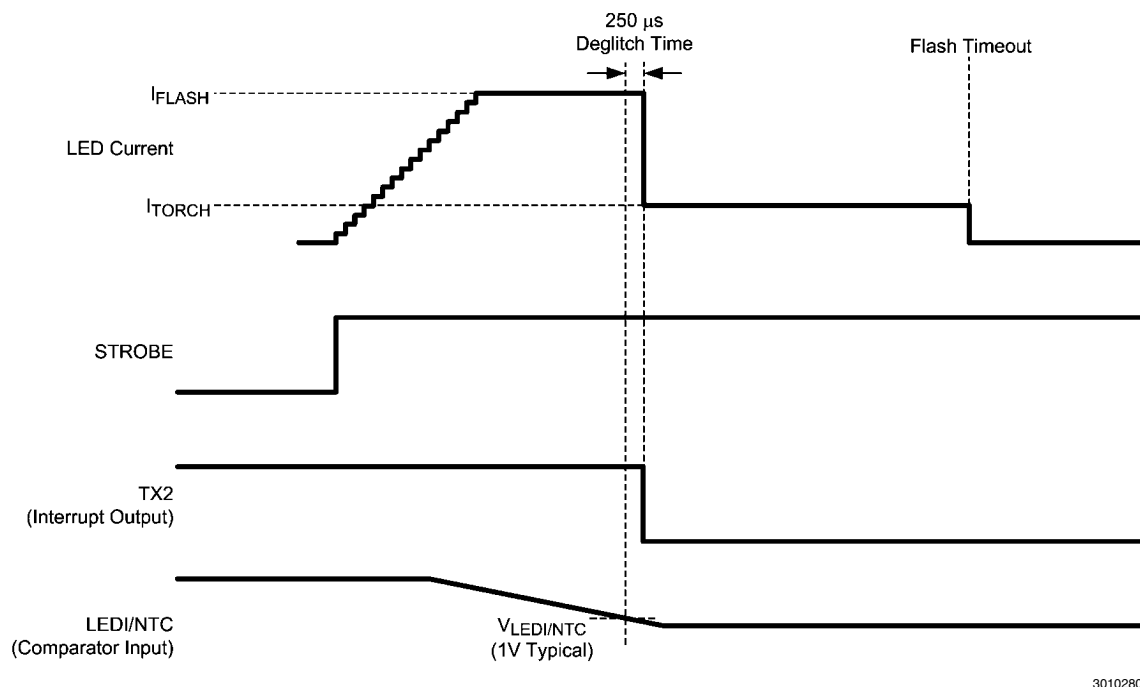


FIGURE 6. TX2 As an Interrupt Output (During an NTC Event)

INDICATOR LED/THERMISTOR (LEDI/NTC)

The LEDI/NTC pin serves a dual function, either as a programmable LED message indicator driver, or as a comparator input for negative temperature coefficient (NTC) thermistors.

MESSAGE INDICATOR CURRENT SOURCE (LEDI/NTC)

LEDI/NTC is configured as a message indicator current source by setting Configuration Register 1 bit [4] = 0. The indicator current source is enabled/disabled via Enable Register bit [6]. Enable Register bit [7] programs the Message Indicator for blinking mode. When the message indicator is set for blinking mode the pattern programmed into the Indicator Register and Indicator Blinking Register is sent to the Message Indicator current source.

The Indicator Blinking Register controls the following (see [Table 17](#)):

1. Number of blank periods (BLANK #). This has 16 settings. $t_{\text{BLANK}} = t_{\text{ACTIVE}} \times \text{BLANK\#}$, where $t_{\text{ACTIVE}} = t_{\text{PERIOD}} \times \text{PERIOD\#}$
2. Pulse width (t_{PULSE}) has 16 settings between 0 and 480 ms in steps of 32 ms. The pulse width is the duration which the indicator current is at its programmed set point at the end of the ramp-up time.

The Indicator Register controls the following (see [Table 16](#)):

1. Indicator current level (I_{IND}). There are 8 message indicator current levels from 2.25 mA to 18 mA in steps of 2.25 mA.

- Number of periods (PERIOD #). This has 8 steps. A period (t_{PERIOD}) is found by ($t_{PERIOD} = t_R + t_F + 2 \times t_{PULSE}$). (See [Figure 7](#) for indicator timing).
- Ramp times (t_R or t_F) for turn-on and turn-off of the indicator current source. Four programmable times of 78

ms, 156 ms, 312 ms, and 624 ms are available. The ramp times apply for both ramp-up and ramp-down and are not independently changeable.

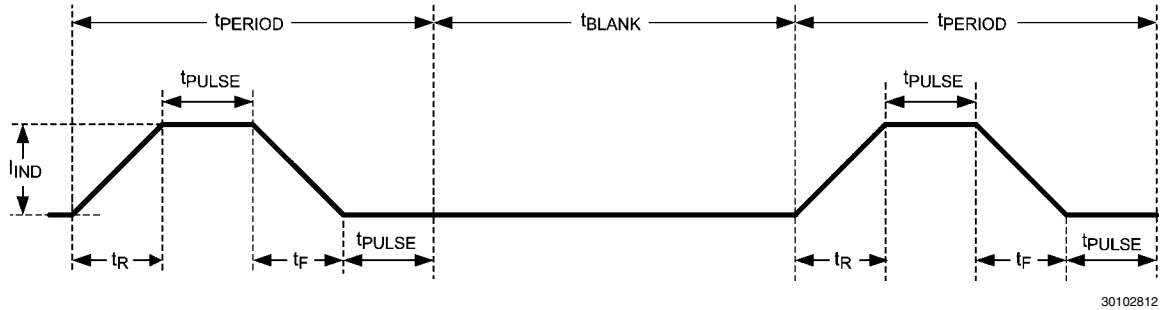


FIGURE 7. Message Indicator Timing Diagram

Message Indicator Example 1 (Single Pulse with Dead Time):

As an example, to set up the message indicator for a 312 ms ramp-up and ramp-down, 192 ms pulse width, and 1 pulse followed by a 5s delay. The indicator settings will be as fol-

lows. $t_R = t_F = 312$ ms, $t_{WIDTH} = 192$ ms ($t_{PERIOD} = 312$ ms \times 2 + 192 ms \times 2 = 1016 ms). BLANK# setting will be: 5s/1016 ms \times 1 (PERIOD# = 1). Giving a BLANK# setting of 5. The resulting waveform will appear as:

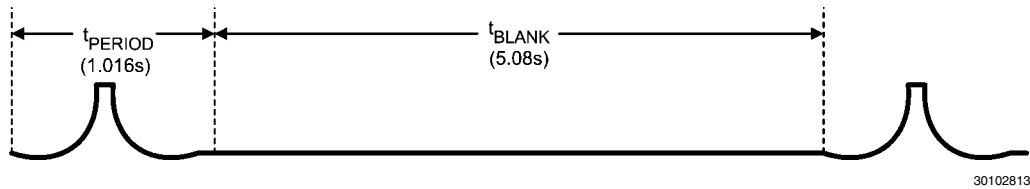


FIGURE 8. Message Indicator Example 1

Message Indicator Example 2 (Multiple Pulses with Dead Time):

Another example has the same t_R , t_F , t_{PULSE} , and t_{BLANK} times as before, but this time the PERIOD# is set to 3. Now the

t_{ACTIVE} time is $t_{PERIOD} \times 3 = 1016$ ms \times 3 = 3048 ms. This results in a blank time of $t_{BLANK} = t_{ACTIVE} \times BLANK\# = 3.048$ s \times 5 = 15.24s

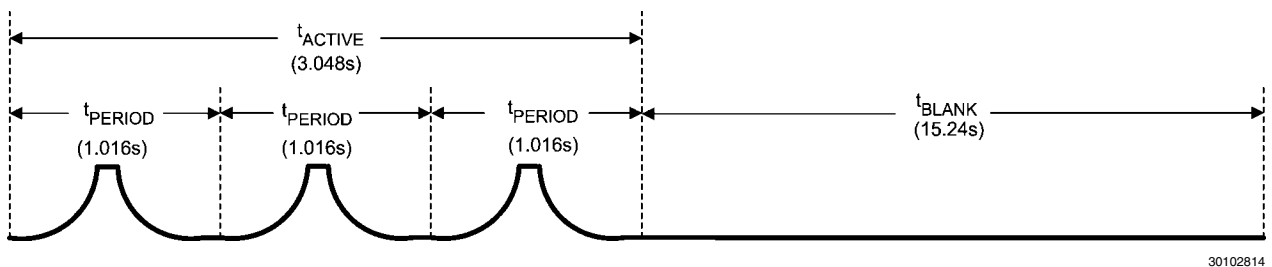


FIGURE 9. Message Indicator Example 2

Updating the Message Indicator

The best way to update the message indicator is to disable the Message Indicator output via the Enable Register bit [7], write the new sequence to the Indicator Register and/or Indicator Blinking Register, and then re-enable the Message Indicator. Updating the Indicator Registers on the fly can lead to long delays between pattern changes. This is especially true if the PERIOD#, or BLANK# setting is changed from a high setting to a lower setting.

NTC MODE

Writing a (1) to Configuration Register 1 bit [4] configures the LEDI/NTC pin for NTC mode. In this mode the indicator current source is disabled and LEDI/NTC becomes the positive input to the NTC comparator. NTC mode operates as a LED current interrupt that is triggered when the voltage at LEDI/NTC goes below 1V.

Two actions can be taken when the NTC comparator is tripped. With Configuration Register 2 bit [1] set to '0' the NTC interrupt will force the LED current from Flash mode into Torch

mode. With Configuration Register 2 bit [1] set to '1' the NTC interrupt will force the LED current into shutdown.

Whether in NTC force torch or NTC shutdown, in order to re-enter flash mode or torch mode after an NTC event, two things must occur. First, the NTC input must be above the 1V threshold. Secondly, the Flags Register must be read.

To avoid noise from falsely triggering the NTC Comparator, this mode incorporates a 250 μ s deglitch timer. With NTC mode active, $V_{LED/NTC}$ must go below the trip point (V_{TRIP}) and remain below it, for 250 μ s before the LEDs are forced into Torch mode (or shutdown) and the NTC Flag is written.

ALTERNATE EXTERNAL TORCH (AET MODE)

Configuration Register 2 bit [2] programs the LM3559 for Alternative External Torch mode. With this bit set to (0) (default) TX1/TORCH is a flash current interrupt that forces Torch

mode only during a Flash event. For example, if TX1/TORCH goes high while the LED current is in Flash mode, the LEDs will be forced into Torch mode only for the duration of the timeout counter. At the end of the timeout counter the LEDs will turn off.

With Configuration Register 2 bit [2] set to (1) the LM3559 is configured for AET mode and the operation of TX1/TORCH becomes dependent on its occurrence relative to the STROBE input. In this mode, if TX1/TORCH goes high first, then STROBE goes high next, the LEDs are forced into Torch mode with no timeout. In this mode, if TX1/TORCH goes high after STROBE has gone high, then the TX1/TORCH pin operates as a normal LED current interrupt and the LEDs will turn off at the end of the timeout duration (see [Figure 10](#) for a detailed operation of this mode).

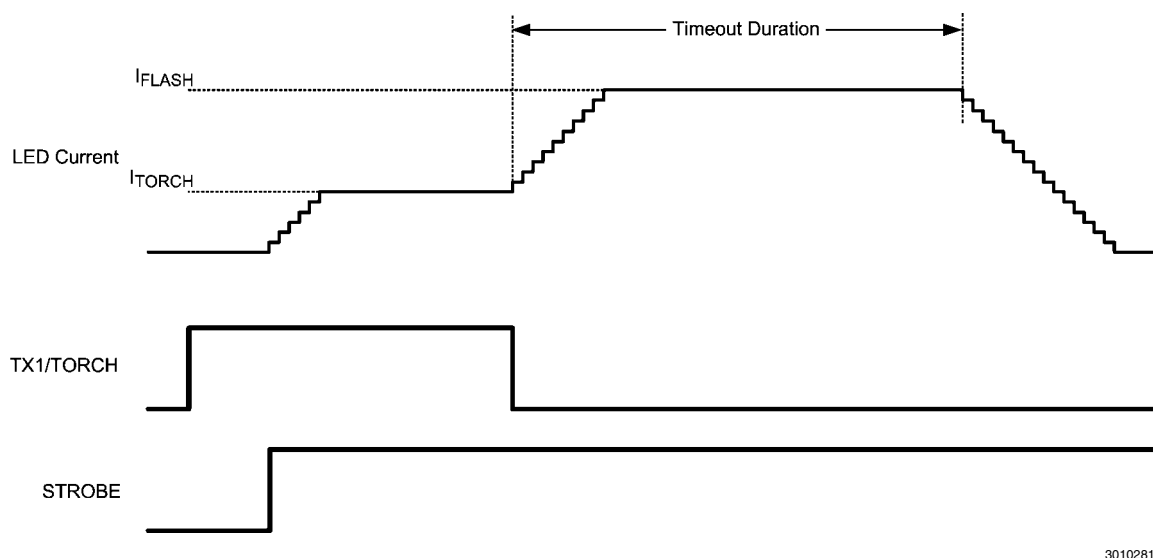


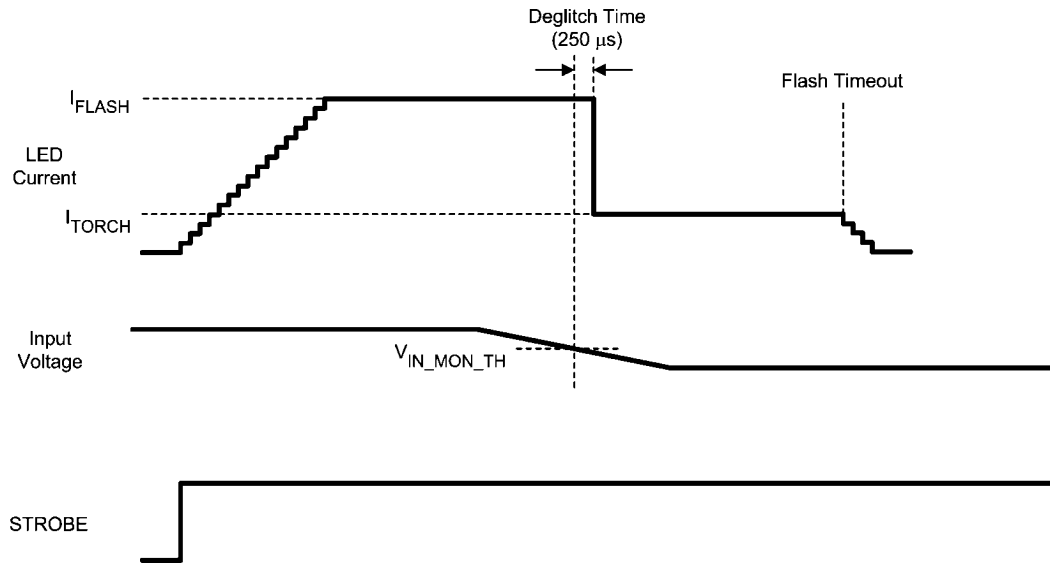
FIGURE 10. AET Mode Timing

VIN MONITOR

The LM3559 has an internal comparator at IN that monitors the input voltage and can force the LED current into Torch mode or into shutdown, if V_{IN} falls below the programmable VIN Monitor Threshold. Bit 0 in the VIN Monitor Register enables or disables this feature. Bits [2:1] of the VIN Monitor Register program the 4 adjustable thresholds of 2.9V, 3.0V, 3.1V, and 3.2V. Bit 3 in Configuration Register 2 selects whether an undervoltage event forces Torch mode or forces the LEDs off. See [Table 13](#) for additional information. When the VIN Monitor is active and V_{IN} falls below the programmed VIN Monitor threshold, the active current sources (LED1 and/

or LED2) will either turn off or be forced into the Torch current setting. To reset the LED current to its previous level, V_{IN} must go above the VIN Monitor threshold and the Flags register must be read back. See [Figure 11](#) for the VIN Monitor Timing Waveform.

To avoid noise from falsely triggering the VIN Monitor, this mode incorporates a 250 μ s deglitch timer. With the VIN Monitor active, V_{IN} must go below the VIN Monitor Threshold (V_{IN_TH}) and remain below it for 250 μ s before the LEDs are forced into Torch mode (or shutdown) and the VIN Monitor Flag is written.



30102809

FIGURE 11. VIN Monitor Waveform

VIN FLASH MONITOR (FLASH CURRENT RISING)

A second comparator at IN is available to monitor the input voltage during the flash current turn-on. Bit [3] of the VIN Monitor Register enables/disables this feature. With this bit set to '1' the VIN Flash Monitor is active. Bits [5:4] of the VIN Monitor Register program the 4 selectable thresholds of (2.9V, 3.0V, 3.1V, and 3.2V). The feature operates as follows: during flash current turn-on the active current sources (LED1 and/or LED2) will transition through each of the lower flash and torch current levels until the target flash current is reached. With the VIN Flash Monitor active, if during the flash current turn-on, the input voltage falls below the VIN Flash Monitor threshold, the flash current is set to the level that the current ramp had risen to at the time of the undervoltage event. The Input Voltage Flash Monitor only operates during the ramping up of the flash LED current.

The VIN Flash Monitor ignores the first 2 flash codes during the flash pulse turn on. As a result, if the VIN Flash Monitor is enabled and VIN were to fall below the VIN Flash Threshold as the LED current ramps up through either of the first two levels, then the flash pulse would not be halted until code #3 (168.75 mA per current source).

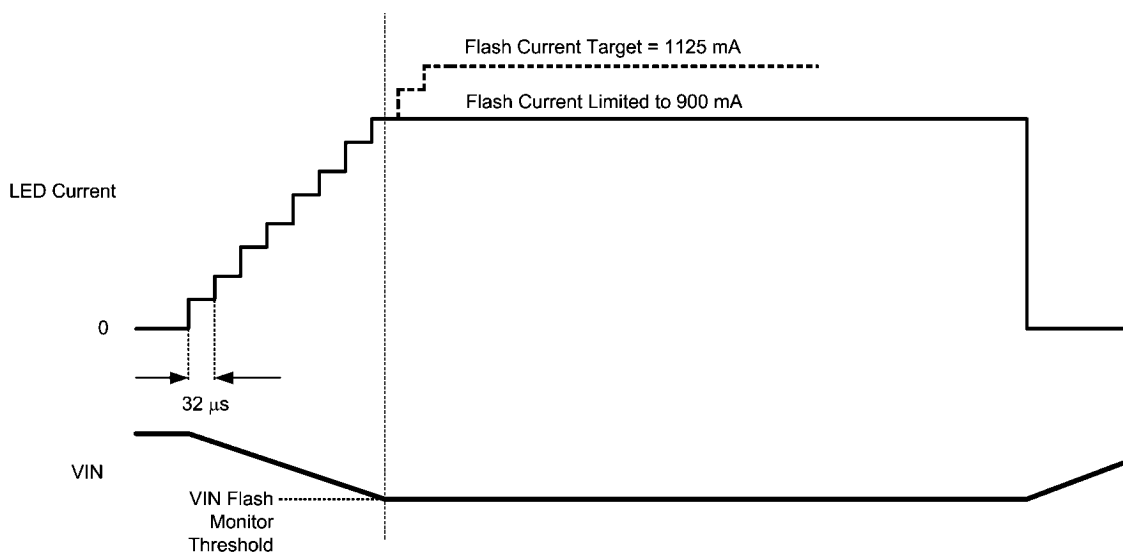
To avoid noise from falsely triggering the VIN Flash Monitor, this mode incorporates an 8 μ s deglitch timer as well as an internal analog filter at the input of the VIN Flash Monitors Comparator. With the VIN Flash Monitor active, V_{IN} must go

below the VIN Flash Monitor Threshold (V_{IN_FLASH}) and remain below it for 8 μ s before the flash current ramp is halted and the VIN Flash Monitor Flag is written.

LAST FLASH REGISTER

Once the VIN Flash Monitor is tripped, the flash code that corresponded to the LED current at which the flash current ramp was halted is written to the Last Flash Register. The Last Flash Register is a read-only register; the lower 4 bits are available to latch the code for LED1 and the upper 4 bits to latch the code for LED2.

For example, suppose that the LM3559 is set up for a single LED with a target flash current of 1125 mA. The VIN Flash Monitor is enabled with the VIN Flash Monitor threshold set to 3.0V (VIN Monitor Register bits [5:4] = 0, 1). When the STROBE input is brought high, the LED current begins ramping up through the torch and flash codes at 32 μ s/code. As the input current increases, the input voltage at the LM3559's IN pin begins to fall due to the source impedance of the battery. By the time the LED current has reached 900 mA (code 0x77 or 450 mA per current source), VIN falls below 3.0V. The VIN Flash Monitor will then stop the flash current ramp and the LM3559 will continue to proceed with the flash pulse, but at 900 mA instead of 1125 mA. [Figure 12](#) details this sequence.



30102815

FIGURE 12. VIN Flash Monitor Example

LED VOLTAGE MONITOR

The LM3559 includes a 4-bit ADC which monitors the LED forward voltage (VLED) and stores the digitized value in bits [3:0] of the VLED Monitor Register. The highest voltage of VLED1 or VLED2 is automatically sensed and that becomes the sample point for the ADC. Bit 5, the ADC shutdown bit, enables/disables the ADC with the default state set to enable (bit [5] = 0).

AUTOMATIC CONVERSION MODE

With the ADC enabled, a conversion is performed each time a flash pulse is started. When a flash pulse is started bit [6] of the VLED Monitor Register (End of Conversion bit) is automatically written with a '0'. At the end of the conversion, bit [6] will go high signaling that the VLED data is valid. A read back of the VLED Monitor register will clear the EOC bit. [Figure 13](#) details the VLED Monitor Automatic Conversion.

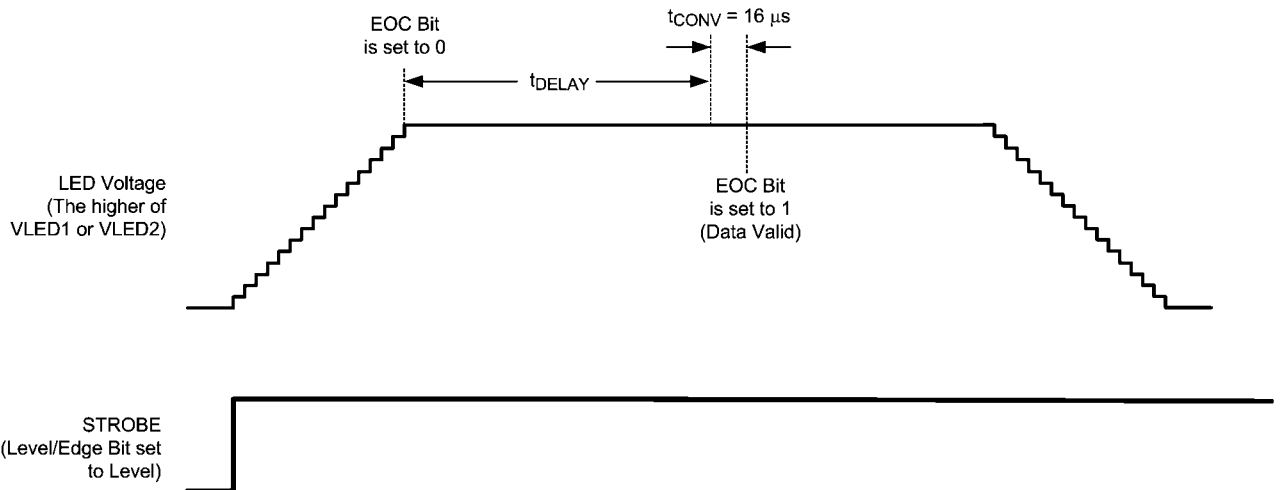
MANUAL CONVERSION MODE

The VLED Monitor can be set up for manual conversion mode by setting bit [4] of the VLED Monitor Register to '1'. When

this bit is set high the EOC bit (bit [6]) goes low and a conversion is performed. When the conversion is complete, the EOC bit goes high again. Subsequent conversions are performed in manual mode by reading back the VLED Monitor register, which resets the EOC bit and starts another conversion (see [Figure 14](#)).

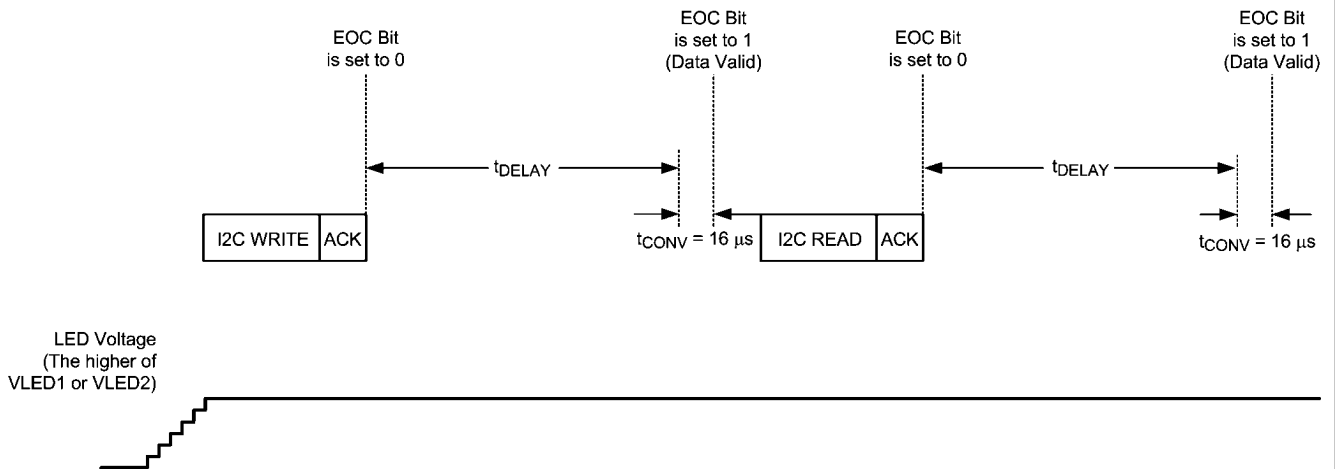
ADC DELAY

The ADC Delay register provides for a programmable delay from 250 μs to 8 ms, in steps of 250 μs. This delay is the delay from when the EOC bit goes low to when the VLED Monitor samples the LED voltage. In Automatic Mode the EOC bit goes low when the Flash LED current hits its target. In Manual mode the EOC bit goes low at the end of a readback of the VLED Monitor Register (or when the manual mode bit (bit 4) is re-written with a 1). [Figure 13](#) and [Figure 14](#) detail the timing of the VLED Monitor for both Automatic mode and Manual mode.



30102821

FIGURE 13. VLED Monitor Automatic Mode



30102823

FIGURE 14. VLED Monitor Manual Mode

FLAGS REGISTER AND FAULT INDICATORS

Eight fault flags are available in the LM3559. These include: a Flash Timeout, a Thermal Shutdown, an LED Failure Flag (LEDF), an LED Thermal Flag (NTC), a VIN Monitor Flag, and a VIN Flash Monitor Flag. Additionally, two LED interrupt flag bits (TX1 interrupt and TX2 interrupt) are set when the corresponding interrupt is activated. Reading back a "1" indicates the flagged event has happened. A read of the Flags Register resets these bits.

FLASH TIMEOUT

The Timeout or (TO flag), (bit [0] of the Flags Register), reads back a (1) if the LM3559 is active in Flash mode and the Timeout period expires before the Flash pulse is terminated. The flash pulse can be terminated before the Timeout period expires by pulling the STROBE pin low (with Enable Register bit [5] = 0), or by writing a (0,0) to bits [1:0] of the Enable Register. The TO flag is reset to (0) by pulling HWEN low, removing power to the LM3559, reading the Flags Register, or when the next Flash pulse is triggered.

THERMAL SHUTDOWN

When the LM3559's die temperature reaches +150°C, the boost converter shuts down, and the NFET and PFET turn off. Additionally, the active current source (LED1 and/or LED2) turn off. When the thermal shutdown threshold is tripped a (1) gets written to bit [1] of the Flags Register (Thermal Shutdown bit). The LM3559 will not start up again until the die temperature falls to below +135°C and the Flags Register is read back, or when the device is shut down and started up again.

LED FAULT

The LED Fault flag (bit 2 of the Flags Register) reads back a (1) if the part is active in Flash or Torch mode and either LED1 or LED2 experience an open or short condition. An LED open condition is signaled if the OVP threshold is crossed at the OUT pin while the device is in Flash or Torch mode. An LED short condition is signaled if the voltage at LED1 or LED2 goes below 500 mV while the device is in Torch or Flash mode. In an LED open condition there is a 2 μs deglitch time from when the output voltage crosses the OVP threshold to when the

LED Fault Flag is triggered. In an LED short condition there is a 250 μ s deglitch time before the LED Fault Flag is set. The LED Fault Flag can only be reset to (0) by pulling HWEN low, doing a power on reset of the LM3559, or by removing the fault condition and reading back the Flags Register.

TX1 AND TX2 INTERRUPT FLAGS

The TX1 and TX2 interrupt flags (bits [3] and [4]) indicate an interrupt event has occurred on the respective TX inputs. Bit 3 will read back a (1) if TX1 is in TX mode and there has been a TX1 event since the last read of the Flags Register. Bit 4 will read back a (1) if TX2 is in TX mode and there has been a TX2 event since the last read of the Flags Register. A read of the Flags Register automatically resets these bits. A TX event on TX1 or TX2, can be a high-to-low transition or a low-to-high transition depending on the setting of the TX1 and TX2 polarity bits (see Configuration Register 1 Bits [6:5]).

LED THERMAL FAULT (NTC Flag)

The NTC flag (bit [5] of the Flags Register) reads back a '1' if the LM3559 is active in Flash or Torch mode, the device is in NTC mode, and the voltage at LED/NTC has fallen below

V_{TRIP} (1V typical). When this has happened and the LM3559 has been forced into Torch mode or LED shutdown (depending on the state of Configuration Register 2 bit [1]), the Flags Register must be read, and the voltage at NTC must go above 1V in order to place the device back in normal operation. (See *NTC MODE* section for more details).

INPUT VOLTAGE FLASH MONITOR FAULT

The V_{IN} Flash Monitor Flag (bit [6] of the Flags Register) reads back a '1' when the Input Voltage Flash Monitor is enabled and V_{IN} falls below the programmed VIN Flash Monitor threshold. This flag must be read back in order to resume normal operation after the LED current has been forced to the lower flash current setting.

INPUT VOLTAGE MONITOR FAULT

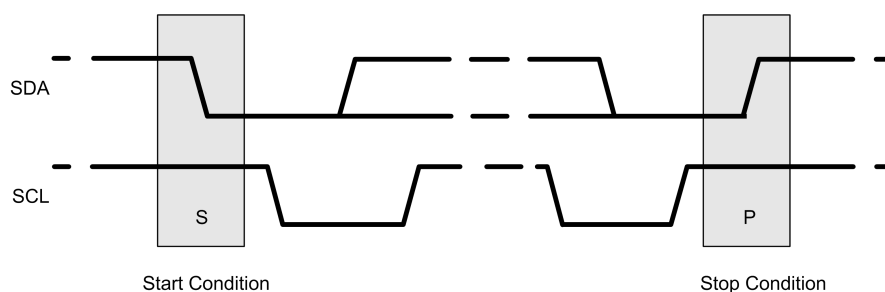
The V_{IN} Monitor Flag (bit [7] of the Flags Register) reads back a '1' when the Input Voltage Monitor is enabled and V_{IN} falls below the programmed VIN Monitor threshold. This flag must be read back and V_{IN} must go above the VIN Monitor threshold in order to resume normal operation.

I²C-Compatible Interface

START AND STOP CONDITIONS

The LM3559 is controlled via an I²C-compatible interface. START and STOP conditions classify the beginning and end of the I²C session. A START condition is defined as SDA transitioning from HIGH to LOW while SCL is HIGH. A STOP

condition is defined as SDA transitioning from LOW to HIGH while SCL is HIGH. The I²C master always generates the START and STOP conditions.

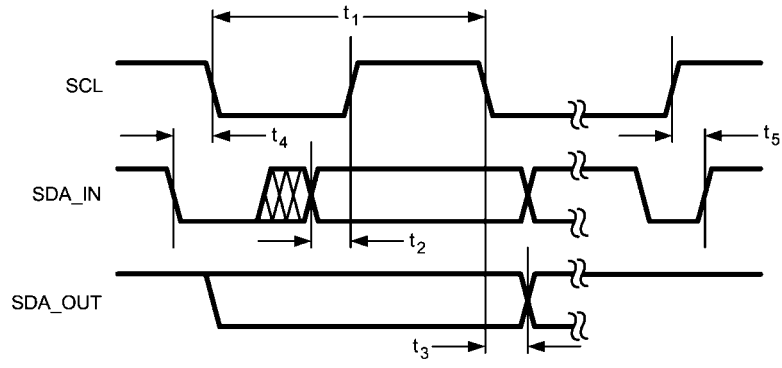


30102818

FIGURE 15. Start and Stop Sequences

The I²C bus is considered busy after a START condition and free after a STOP condition. During data transmission the I²C master can generate repeated START conditions. A START and a repeated START condition are equivalent function-wise. The data on SDA must be stable during the HIGH

period of the clock signal (SCL). In other words, the state of SDA can only be changed when SCL is LOW. *Figure 16* shows the SDA and SCL signal timing for the I²C-Compatible Bus. See the **Electrical Characteristics Tables** for timing values.



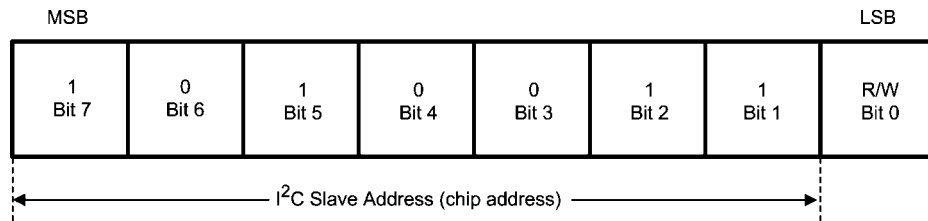
30102819

FIGURE 16. I²C-Compatible Timing

I²C-COMPATIBLE CHIP ADDRESS

The device address for the LM3559 is 1010011 (0xA7 for read and 0xA6 for write). After the START condition, the I²C master sends the 7-bit address followed by an eighth read or write bit (R/W). R/W = 0 indicates a WRITE and R/W = 1 indicates

a READ. The second byte following the device address selects the register address to which the data will be written. The third byte contains the data for the selected register.



30102820

FIGURE 17. Device Address

TRANSFERRING DATA

Every byte on the SDA line must be eight bits long, with the most significant bit (MSB) transferred first. Each byte of data must be followed by an acknowledge bit (ACK). The acknowledge related clock pulse (9th clock pulse) is generated by the

master. The master releases SDA (HIGH) during the 9th clock pulse (write mode). The LM3559 pulls down SDA during the 9th clock pulse, signifying an acknowledge. An acknowledge is generated after each byte has been received.

Register Descriptions

TABLE 1. LM3559 Internal Registers

Register Name	Internal Hex Address	Power On/RESET Value
Enable	0x10	0x18
Privacy	0x11	0x58
Indicator	0x12	0x00
Indicator Blinking	0x13	0x00
Privacy PWM	0x14	0xF0
GPIO	0x20	0x80
VLED Monitor (ADC)	0x30	0x80
ADC Delay	0x31	0xC0
VIN Monitor	0x80	0xC0
Last Flash	0x81	0x00
Torch Brightness	0xA0	0x52
Flash Brightness	0xB0	0xDD
Flash Duration	0xC0	0x6F
Flags	0xD0	0x00
Configuration 1	0xE0	0x68
Configuration 2	0xF0	0xF0

ENABLE REGISTER

Bits [1:0] of the Enable Register controls the on/off state of Torch mode, Flash mode, and Privacy Indicate mode. Bits [4:3] turn on/off the main current sources (LED1 and LED2).

Bit [5] sets the level or edge control for the STROBE input. Bits 7 and 6 control the Indicator current source (see [Table 2](#)).

TABLE 2. Enable Register Descriptions

Bit 7 (EN Blink)	Bit 6 (EN Message Indicator)	Bit 5 (STROBE Level/Edge)	Bit 4 (LED2 Enable)	Bit 3 (LED1 Enable)	Bit 2 (Not Used)	Bit 1 (EN1)	Bit 0 (EN0)
0 = Message Indicator Blinking Function is disabled (See Note below). (default) 1 = Message Indicator Blinking Function is enabled. The message indicator blinks the pattern programmed in the Indicator Register and Indicator Blinking Register	0 = Message Indicator is disabled (default) 1 = Message Indicator is enabled.	0 = (Level Sensitive) When STROBE goes high, the flash current will turn on and remain on for the duration the STROBE pin is held high or until the Flash Timeout occurs, whichever comes first. (default) 1 = (Edge Triggered) When STROBE goes high, the flash current will turn on and remain on for the duration of the Flash timeout.	0 = LED2 off 1 = LED2 on (default)	0 = LED1 off 1 = LED1 on (default)	N/A	Enable Bits 00 = Current Sources are Shutdown (default) 01 = Privacy Indicator Mode 10 = Torch Mode 11 = Flash Mode (bits reset at timeout)	

Note: Bit 7 Enables/Disables the Message Indicator Blinking Function. With this bit set to 0 and Bit 6 set to 1, the Message Indicator turns on constantly at the programmed current as set in the Indicator Register, bits [2:0].

TORCH BRIGHTNESS REGISTER

Bits [2:0] of the Torch Brightness Register set the Torch current for LED1. Bits [5:3] set the Torch current for LED2. (see [Table 3](#)).

TABLE 3. Torch Brightness Register Descriptions

Bit 7 (N/A)	Bit 6 (N/A)	Bit 5 (TC2A)	Bit 4 (TC2B)	Bit 3 (TC2C)	Bit 2 (TC1A)	Bit 1 (TC1B)	Bit 0 (TC1C)
(Not Used)		LED2 Torch Current Select Bits 000 = 28.125 mA (56.25 mA total) 001 = 56.25 mA (112.5 mA total) 010 = 84.375 mA (168.75 mA total) default 011 = 112.5 mA (225 mA total) 100 = 140.625 mA (281.25 mA total) 101 = 168.75 mA (337.5 mA total) 110 = 196.875 mA (393.75 mA total) 111 = 225 mA (450 mA total)			LED1 Torch Current Select Bits 000 = 28.125 mA (56.25 mA total) 001 = 56.25 mA (112.5 mA total) 010 = 84.375 mA (168.75 mA total) default 011 = 112.5 mA (225 mA total) 100 = 140.625 mA (281.25 mA total) 101 = 168.75 mA (337.5 mA total) 110 = 196.875 mA (393.75 mA total) 111 = 225 mA (450 mA total)		

FLASH BRIGHTNESS REGISTER

Bits [3:0] of the Flash Brightness Register set the Flash current for LED1. Bits [7:4] set the Flash current for LED2. (see [Table 4](#)).

TABLE 4. Flash Brightness Register Descriptions

Bit 7 (FC2A)	Bit 6 (FC2B)	Bit 5 (FC2C)	Bit 4 (FC2D)	Bit 3 (FC1A)	Bit 2 (FC1B)	Bit 1 (FC1C)	Bit 0 (FC1D)
LED2 Flash Current Select Bits 0000 = 56.25 mA (112.5 mA total) 0001 = 112.5 mA (225 mA total) 0010 = 168.75 mA (337.5 mA total) 0011 = 225 mA (450 mA total) 0100 = 281.25 mA (562.5 mA total) 0101 = 337.5 mA (675 mA total) 0110 = 393.75 mA (787.5 mA total) 0111 = 450 mA (900 mA total) 1000 = 506.25 mA (1012.5 mA total) 1001 = 562.5 mA (1125 mA total) 1010 = 618.75 mA (1237.5 mA total) 1011 = 675 mA (1350 mA total) 1100 = 731.25 mA (1562.5 mA total) 1101 = 787.5 mA (1575 mA total) Default 1110 = 843.75 mA (1687.5 mA total) 1111 = 900 mA (1800 mA total)				LED1 Flash Current Select Bits 0000 = 56.25 mA (112.5 mA total) 0001 = 112.5 mA (225 mA total) 0010 = 168.75 mA (337.5 mA total) 0011 = 225 mA (450 mA total) 0100 = 281.25 mA (562.5 mA total) 0101 = 337.5 mA (675 mA total) 0110 = 393.75 mA (787.5 mA total) 0111 = 450 mA (900 mA total) 1000 = 506.25 mA (1012.5 mA total) 1001 = 562.5 mA (1125 mA total) 1010 = 618.75 mA (1237.5 mA total) 1011 = 675 mA (1350 mA total) 1100 = 731.25 mA (1562.5 mA total) 1101 = 787.5 mA (1575 mA total) Default 1110 = 843.75 mA (1687.5 mA total) 1111 = 900 mA (1800 mA total)			

FLASH DURATION REGISTER

Bits [4:0] of the Flash Duration Register set the Flash Timeout duration. Bits [6:5] set the switch current limit. (see [Table 5](#)).

TABLE 5. Flash Duration Register Descriptions

Bit 7 (Not used)	Bit 6 (CL1)	Bit 5 (CL0)	Bit 4 (T4)	Bit 3 (T3)	Bit 2 (T2)	Bit 1 (T1)	Bit 0 (T0)
N/A	Current Limit Select Bits		Flash timeout Select Bits				
	00 = 1.4A Peak Current Limit		00000 = 32 ms timeout				
	01 = 2.1A Peak Current Limit		00001 = 64 ms timeout				
	10 = 2.7A Peak Current Limit		00010 = 96 ms timeout				
	11 = 3.2A Peak Current Limit (default)		00011 = 128 ms timeout				
			00100 = 160 ms timeout				
			00101 = 192 ms timeout				
			00110 = 224 ms timeout				
			00111 = 256 ms timeout				
			01000 = 288 ms timeout				
			01001 = 320 ms timeout				
			01010 = 352 ms timeout				
			01011 = 384 ms timeout				
			01100 = 416 ms timeout				
			01101 = 448 ms timeout				
			01110 = 480 ms timeout				
			01111 = 512 ms timeout (default)				
			10000 = 544 ms timeout				
			10001 = 576 ms timeout				
			10010 = 608 ms timeout				
			10011 = 640 ms timeout				
			10100 = 672 ms timeout				
			10101 = 704 ms timeout				
			10110 = 736 ms timeout				
			10111 = 768 ms timeout				
			11000 = 800 ms timeout				
			11001 = 832 ms timeout				
			11010 = 864 ms timeout				
			11011 = 896 ms timeout				
			11100 = 928 ms timeout				
			11101 = 960 ms timeout				
			11110 = 992 ms timeout				
			11111 = 1024 ms timeout				

FLAGS REGISTER

The Flags Register holds the flag bits indicating: Flash Time-out, Thermal Shutdown, LED Fault (Open or Short), TX Interrupts (TX1 and TX2), LED Thermal Fault (NTC), VIN

Monitor Trip, and VIN Flash Monitor Trip. All Flags are cleared on read back of the Flags Register. (see [Table 6](#)).

TABLE 6. Flags Register Descriptions

Bit 7 (VIN Monitor)	Bit 6 (VIN Flash Monitor)	Bit 5 (NTC Fault)	Bit 4 (TX2 Interrupt)	Bit 3 (TX1 Interrupt)	Bit 2 (LED Fault)	Bit 1 (Thermal Shutdown)	Bit 0 (Flash timeout)
0 = V _{IN} is above the VIN Monitor Threshold or VIN Monitor Threshold is Disabled (default)	VIN did not fall below the VIN Flash Monitor threshold during the flash pulse turn-on or VIN Flash Monitor is disabled (default)	0 = LEDI/NTC pin is above 1V (default)	0 = TX2 has not changed state (default)	0 = TX1 has not changed state (default)	0 = Proper LED Operation (default)	0 = Die Temperature below Thermal Shutdown Limit (default)	0 = Flash timeout did not expire (default)
1 = VIN Monitor is enabled and V _{IN} has fallen below the programmed threshold	1 = VIN Flash Monitor is enabled and V _{IN} fell below the programmed VIN Flash Monitor threshold during the flash pulse turn-on	1 = NTC mode is enabled and LEDI/NTC has fallen below 1V	1 = TX2 has changed state (TX2 mode only)	1 = TX1 has changed state (TX1 mode only)	1 = LED Failed (Open or Short)	1 = Die Temperature has crossed the Thermal Shutdown Threshold	1 = Flash timeout Expired

CONFIGURATION REGISTER 1

Configuration Register 1 holds the STROBE Input Enable bit, the STROBE polarity bit, the NTC Enable bit, the polarity se-

lection bits for TX1 and TX2, and the Hardware Torch Enable bit (see [Table 7](#)).

TABLE 7. Configuration Register 1 Descriptions

Bit 7 (Hardware Torch Mode Enable)	Bit 6 (TX2 Polarity)	Bit 5 (TX1 Polarity)	Bit 4 (NTC Mode Enable)	Bit 3 (STROBE Polarity)	Bit 2 (STROBE Input Enable)	Bit 1 (Not Used)	Bit 0 (Not Used)
0 = TX1/TORCH is a TX input (default)	0 = TX2 is configured for active low polarity	0 = TX1 is configured for active low polarity	0 = LEDI/NTC pin is configured as an indicator output (default)	0 = STROBE Input Enable is active low. Pulling STROBE low will turn on Flash current	0 = STROBE Pin disabled (default)	N/A	N/A
1 = TX1/TORCH pin is a hardware TORCH enable. This bit is reset to 0 after a flash event.	1 = TX2 pin is configured for active high polarity (default)	1 = TX1 is configured for active high polarity (default)	1 = LEDI/NTC is configured as a comparator input for an NTC thermistor	1 = STROBE Input is active high. Pulling STROBE high will turn on Flash current (default)	1 = STROBE Input enabled		

CONFIGURATION REGISTER 2

Configuration Register 2 holds the TX2 shutdown select bit, the NTC shutdown select bit, the Alternate External Torch

mode enable bit, and the VIN Monitor Shutdown bit (see [Table 8](#)).

TABLE 8. Configuration Register 2 Bit Descriptions

Bit 7 (Not used)	Bit 6 (Not used)	Bit 5 (Not used)	Bit 4 (Not used)	Bit 3 (V _{IN} Monitor Shutdown)	Bit 2 (AET mode)	Bit 1 (NTC Shutdown)	Bit 0 (TX2 Shutdown)
N/A	N/A	N/A	N/A	0 = V _{IN} falling below the programmed VIN Monitor Threshold will force the LED current into the programmed torch current (default)	0 = AET Mode Disabled (default)	0 = Voltage at LED1/NTC falling below V _{TRIP} will force the active current source (LED1 and/or LED2) to the programmed torch current. (default)	0 = TX2 event will force the LED current to the programmed torch current (default)
				1 = V _{IN} falling below the programmed VIN Monitor Threshold will force the LED current into shutdown.	1 = AET Mode Enabled	1 = Voltage at LED1/NTC falling below V _{TRIP} will force the active current source (either LED1 and/or LED2) into shutdown.	1 = TX2 event will force the LED current into shutdown.

GPIO REGISTER

The GPIO register contains the control bits which change the state of the TX1/TORCH/GPIO1 pin and the TX2/INT/GPIO2 pins to general purpose I/O's (GPIO's). Additionally, bit 6 of this register contains the interrupt configuration bit. [Table 9](#) describes the bit description and functionality of the GPIO register. To configure the TX1 or TX2 pins as GPIO outputs an initial double write is required to register 0x20. For example, to configure TX2 to output a logic high, an initial write of 0xB8 would need to occur twice, to force GPIO2 low. Subsequent writes to GPIO2 after the initial set-up only requires a

single write. To read back the GPIO inputs, a write, then a read, of register 0x20 must occur each time the data is read. For example, if GPIO2 is set up as a GPIO input and the GPIO2 input has then changed state, first a write to 0x20 must occur, then the following readback of register 0x20 will show the updated data. When configuring TX2 as an interrupt output, the TX2/GPIO2/INT pin must first be configured as a GPIO output (double write). For example, to configure TX2/GPIO2/INT for INT mode, a write of 0xF8 to register 0x20 must be done twice.

TABLE 9. GPIO Register

Bit 7 (Not Used)	Bit 6 (TX2/INT/GPIO2 Interrupt Enable)	Bit 5 (TX2/INT/GPIO2 data)	Bit 4 (TX2/INT/GPIO2 data direction)	Bit 3 (TX2/INT/GPIO2 Control)	Bit 2 (TX1/TORCH/GPIO1 data)	Bit 1 (TX1/TORCH/GPIO1 data direction)	Bit 0 (TX1/TORCH/GPIO1 Control)
N/A	0 = TX2/INT/GPIO2 is configured according to bit 3 of this register (default)	This bit is the read or write data for the GPIO2 pin in GPIO mode	0 = TX2/INT/GPIO2 is a GPIO Input (default)	0 = TX2/INT/GPIO is a TX2 interrupt (default)	This bit is the read or write data for the GPIO1 pin in GPIO mode	0 = TX1/TORCH/GPIO1 is a GPIO input (default)	0 = TX1/TORCH/GPIO1 pin is configured according to Configuration Register 1 bit [7] (default)
	1 = with bits [4:3] = 11, TX2/INT/GPIO2 is an interrupt output. See Interrupt section.		1 = TX2/INT/GPIO2 is a GPIO Output	1 = TX2/INT/GPIO2 is configured as a GPIO		1 TX1/TORCH/GPIO1 is an output	1 = TX1/TORCH/GPIO1 pin is configured as a GPIO

LAST FLASH REGISTER

The Last Flash Register is a read only register which is loaded with the flash code corresponding to the flash level that the LM3559 was at if any of the following events happens:

1. Voltage at LED1/NTC falling below V_{TRIP} with the device in NTC mode (Configuration Register 1 bit [4] = 1)
2. Input voltage falling below the programmed VIN Monitor Threshold with device in VIN Monitor mode (VIN Monitor Register bit [0] = 1)
3. Input voltage falling below the programmed VIN Flash Monitor Threshold with the device in VIN Flash Monitor mode (VIN Monitor Register bit [3] = 1).

The Last Flash Register is updated at the same time that the corresponding Flag bit is written to the Flags Register. This results in a delay of 250 μ s from when $V_{LED1/NTC}$ (NTC mode) crosses V_{TRIP} , or V_{IN} (VIN Monitor enabled) crosses the V_{IN_TH} . During VIN Flash Monitor there is a 8 μ s deglitch time so the VIN Flash Monitor Flag is written (and the Last Flash Register is updated) 8 μ s after V_{IN} falls below V_{IN_FLASH} .

TABLE 10. Last Flash Register Descriptions

Bit 7 (LF2A)	Bit 6 (LF2B)	Bit 5 (LF2C)	Bit 4 (LF2D)	Bit 3 (LF1A)	Bit 2 (LF1B)	Bit 1 (LF1C)	Bit 0 (LF1D)
These bits are read only and represent the Flash Current Code for LED2 that the LM3559 was at during the interrupt.				These bits are read only and represent the Flash Current Code for LED1 that the LM3559 was at during the interrupt.			
0000 = 56.25 mA (112.5 mA total)				0000 = 56.25 mA (112.5 mA total)			
0001 = 112.5 mA (225 mA total)				0001 = 112.5 mA (225 mA total)			
0010 = 168.75 mA (337.5 mA total)				0010 = 168.75 mA (337.5 mA total)			
0011 = 225 mA (450 mA total)				0011 = 225 mA (450 mA total)			
0100 = 281.25mA (562.5 mA total)				0100 = 281.25mA (562.5 mA total)			
0101 = 337.5 mA (675 mA total)				0101 = 337.5 mA (675 mA total)			
0110 = 393.75 mA (787.5 mA total)				0110 = 393.75 mA (787.5 mA total)			
0111 = 450 mA (900 mA total)				0111 = 450 mA (900 mA total)			
1000 = 506.25 mA (1012.5 mA total)				1000 = 506.25 mA (1012.5 mA total)			
1001 = 562.5 mA (1125 mA total)				1001 = 562.5 mA (1125 mA total)			
1010 = 618.75 mA (1237.5 mA total)				1010 = 618.75 mA (1237.5 mA total)			
1011 = 675 mA (1350 mA total)				1011 = 675 mA (1350 mA total)			
1100 = 731.25 mA (1562.5 mA total)				1100 = 731.25 mA (1562.5 mA total)			
1101 = 787.5mA (1575 mA total)				1101 = 787.5mA (1575 mA total)			
1110 = 843.75 mA (1687.5 mA total)				1110 = 843.75 mA (1687.5 mA total)			
1111 = 900 mA (1800 mA total)				1111 = 900 mA (1800 mA total)			

VLED MONITOR REGISTER

The VLED Monitor Register controls the internal 4-bit analog to digital converter. Bits [3:0] of this register contain the 4-bit data of the LED voltage. This data is the digitized voltage of the highest of either VLED1 to GND or VLED2 to GND. Bit [4] is the Manual Mode enable which provides for a manual conversion of the ADC. In Manual Mode the Automatic Conver-

sion is still performed. In automatic conversion mode a conversion is performed each time a flash pulse is initiated. Bit [5] is the ADC shutdown bit. Bit [6] signals the end of conversion. This is a read-only bit that goes high when a conversion is complete and data is ready. A read of the VLED Monitor Register clears the End of Conversion bit (see).

TABLE 11. VLED Monitor Register Descriptions

Bit 7 (Not Used)	Bit 6 (End of Conversion)	Bit 5 (Shutdown)	Bit 4 (Manual Mode Enable)	Bit 3 (ADC3)	Bit 2 (ADC2)	Bit 1 (ADC1)	Bit 0 (ADC0)
N/A	0 = Conversion in progress(default) 1 = Conversion done	0 = ADC is enabled (default) 1 = ADC is shutdown, no conversion is performed	0 = Manual Mode Disabled (default) 1 = Manual Mode is Enabled	0000 = (VLED < 3.2V) (default) 0001 = (3.2V ≤ VLED < 3.3V) 0010 = (3.3V ≤ VLED < 3.4V) 0011 = (3.4V ≤ VLED < 3.5V) 0100 = (3.5V ≤ VLED < 3.6V) 0101 = (3.6V ≤ VLED < 3.7V) 0110 = (3.7V ≤ VLED < 3.8V) 0111 = (3.8V ≤ VLED < 3.9V) 1000 = (3.9V ≤ VLED < 4.0V) 1001 = (4.0V ≤ VLED < 4.1V) 1010 = (4.1V ≤ VLED < 4.2V) 1011 = (4.2V ≤ VLED < 4.3V) 1100 = (4.3V ≤ VLED < 4.4V) 1101 = (4.4V ≤ VLED < 4.5V) 1110 = (4.5V ≤ VLED < 4.6V) 1111 = (4.6V ≤ VLED)			

ADC DELAY REGISTER

The ADC Delay Register programs the delay from when the EOC bit goes low to when a conversion is initiated. This delay

applies to both Manual Mode and Automatic Mode. Bit 5 is the No-Delay bit and can set the delay to effectively 0. (See [Table 12](#), [Figure 13](#), and [Figure 14](#).)

TABLE 12. ADC Delay Register

Bit 7 (Not Used)	Bit 6 (Not used)	Bit 5 (No Delay)	Bit 4 (D1)	Bit 3 (D2)	Bit 2 (D3)	Bit 1 (D4)	Bit 0 (D5)
N/A		0 = Delay is set by bits [4:0] (default) 1 = no delay from when the EOC goes low to when the conversion is started.	Bits [4:0] programs the delay from when the EOC bit goes low to when a conversion is started (250 μ s/step). 00000 = 250 μs (default) : : : : : 11111 = 8ms				

INPUT VOLTAGE MONITOR REGISTER

The VIN Monitor Register contains the Enable bit for the VIN Monitor, the threshold select for the VIN Monitor, the enable

bit for the VIN Flash Monitor, and the threshold select for the VIN Flash Monitor (see [Table 13](#)).

TABLE 13. VIN Monitor Register

Bit 7 (Not used)	Bit 6 (Not used)	Bit 5 (VIN Flash Monitor Threshold 1)	Bit 4 (VIN Flash Monitor Threshold 0)	Bit 3 (VIN Flash Monitor Enable)	Bit 2 (VIN Monitor Threshold 1)	Bit 1 (VIN Monitor Threshold 0)	Bit 0 (VIN Monitor Enable)
N/A		00 = 2.9V (default) 01 = 3.0V 10 = 3.1V 11 = 3.2V		0 = VIN Flash Monitor is disabled (default) 1 = VIN Flash Monitor is enabled	00 = 2.9V (default) 01 = 3.0V 10 = 3.1V 11 = 3.2V		0 = VIN Monitor disabled (default) 1 = VIN Monitor enabled

PRIVACY REGISTER

The Privacy Register contains the bits to control which current source is used for the privacy indicator (LED1 or LED2 or both), whether the privacy indicator turns off or remains on

after the flash pulse terminates, and the duty cycle settings (between 10% and 80%) for setting the privacy LED current (see [Table 14](#)).

TABLE 14. Privacy Register

Bit 7 (Blink 2)	Bit 6 (Blink 1)	Bit 5 (LED2 Privacy)	Bit 4 (LED1 Privacy)	Bit 3 (Privacy Terminate)	Bit 2 (PD2)	Bit 1 (PD1)	Bit 0 (PD0)
00 = No Blinking 01 = 128 ms Blink Period (default) 10 = 256 ms Blink Period 11 = 512 ms Blink Period		0 = LED2 is off for privacy mode (default) 1 = LED2 is on for privacy mode	0 = LED1 is off for privacy mode 1 = LED1 is on for privacy mode (default)	0 = Privacy mode turns back on at the end of the flash pulse 1 = Privacy mode turns off at the end of the flash pulse (default)	Privacy mode current levels (% of minimum torch current) 000 = 10% (default) 001 = 20% 010 = 30% 011 = 40% 100 = 50% 101 = 60% 110 = 70% 111 = 80%		

PRIVACY PWM PERIOD REGISTER

The Privacy PWM Register contains the bits to control the PWM period for the privacy indicate mode (see [Table 15](#)).

TABLE 15. Privacy PWM Period Register

Bits 7-3 (Not Used)	Bit 2 (P3)	Bit 1 (P2)	Bit 0 (P1)
	000 = 5.12 ms 001 = 2.56 ms 010 = 1.28 ms 011 = 640 μ s 1XX = 320 μ s		

INDICATOR REGISTER

The Message Indicator Register contain the bits which control the following:

- Indicator current level

- Pulse width

- Ramp times for turn-on and turn-off of the indicator current source (see [Figure 18](#) for the message indicator timing diagram).

TABLE 16. Indicator Register

Bit 7 (R2)	Bit 6 (R1)	Bit 5 (P3)	Bit 4 (P2)	Bit 3 (P1)	Bit 2 (I3)	Bit 1 (I2)	Bit 0 (I1)
(t_{RAMP})		$(\text{PERIOD}\#)$			(I_{IND})		
00 = 78 ms (default)		000 = 0 (default)			000 = 2.25 mA (default)		
01 = 156 ms		001 = 1			001 = 4.5 mA		
10 = 312 ms		010 = 2			010 = 6.75 mA		
11 = 624 ms		011 = 3			011 = 9 mA		
		100 = 4			100 = 11.25 mA		
		101 = 5			101 = 13.5 mA		
		110 = 6			110 = 15.75 mA		
		111 = 7			111 = 18 mA		

INDICATOR BLINKING REGISTER

The Indicator Blinking Register contain the bits which control the following:

1. Number of periods ($t_{\text{PERIOD}} = t_{\text{RAMP}} \times 2 + t_{\text{PULSE}} \times 2$)

2. Active Time ($t_{\text{ACTIVE}} = t_{\text{PERIOD}} \times \text{PERIOD\#}$)

3. Blank Time ($t_{\text{BLANK}} = t_{\text{ACTIVE}} \times \text{BLANK\#}$)
(see [Figure 18](#))

TABLE 17. Indicator Blinking Register

Bit 7 (M4)	Bit 6 (M3)	Bit 5 (M2)	Bit 4 (M1)	Bit 3 (PW4)	Bit 2 (PW3)	Bit 1 (PW2)	Bit 0 (PW1)
BLANK#				Pulse Time (t_{PULSE})			
0000 = 0 (default)				0000 = 0 (default)			
0001 = 1				0001 = 32 ms			
0010 = 2				0010 = 64 ms			
0011 = 3				0011 = 92 ms			
0100 = 4				0100 = 128 ms			
0101 = 5				0101 = 160 ms			
0110 = 6				0110 = 196 ms			
0111 = 7				0111 = 224 ms			
1000 = 8				1000 = 256 ms			
1001 = 9				1001 = 288 ms			
1010 = 10				1010 = 320 ms			
1011 = 11				1011 = 352 ms			
1100 = 12				1100 = 384 ms			
1101 = 13				1101 = 416 ms			
1110 = 14				1110 = 448 ms			
1111 = 15				1111 = 480 ms			

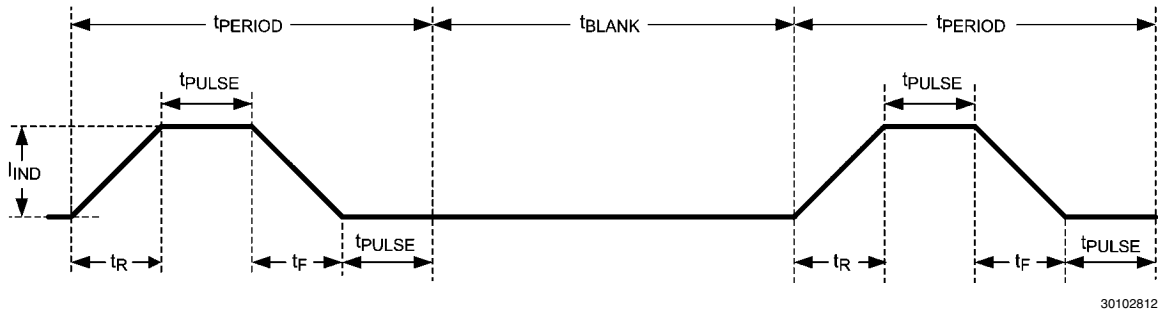


FIGURE 18. Message Indicator Timing Diagram

Applications Information

OUTPUT CAPACITOR SELECTION

The LM3559 is designed to operate with at least a 10 μF ceramic output capacitor. When the boost converter is running the output capacitor supplies the load current during the boost converters on-time. When the NMOS switch turns off the inductor energy is discharged through the internal PMOS switch, supplying power to the load and restoring charge to the output capacitor. This causes a sag in the output voltage during the on-time and a rise in the output voltage during the off-time. The output capacitor is therefore chosen to limit the output ripple to an acceptable level depending on load current and input/output voltage differentials and also to ensure the converter remains stable.

For proper operation the output capacitor must be at least a 10 μF ceramic. Larger capacitors such as a 22 μF or capacitors in parallel can be used if lower output voltage ripple is desired. To estimate the output voltage ripple considering the ripple due to capacitor discharge (ΔV_Q) and the ripple due to the capacitors ESR (ΔV_{ESR}) use the following equations:

For continuous conduction mode, the output voltage ripple due to the capacitor discharge is:

$$\Delta V_Q = \frac{I_{\text{LED}} \times (V_{\text{OUT}} - V_{\text{IN}})}{f_{\text{SW}} \times V_{\text{OUT}} \times C_{\text{OUT}}}$$

The output voltage ripple due to the output capacitors ESR is found by:

$$\Delta V_{\text{ESR}} = R_{\text{ESR}} \times \left(\frac{I_{\text{LED}} \times V_{\text{OUT}}}{V_{\text{IN}}} \right) + \Delta I_L$$

$$\text{where } \Delta I_L = \frac{V_{\text{IN}} \times (V_{\text{OUT}} - V_{\text{IN}})}{2 \times f_{\text{SW}} \times L \times V_{\text{OUT}}}$$

In ceramic capacitors the ESR is very low so a close approximation is to assume that 80% of the output voltage ripple is due to capacitor discharge and 20% from ESR. [Table 18](#) lists different manufacturers for various output capacitors and their case sizes suitable for use with the LM3559.

INPUT CAPACITOR SELECTION

Choosing the correct size and type of input capacitor helps minimize the voltage ripple caused by the switching of the LM3559's boost converter, and reduces noise on the boost converter's input terminal that can feed through and disrupt internal analog signals. In the Typical Application Circuit a 10 μF ceramic input capacitor works well. It is important to place the input capacitor as close as possible to the LM3559's input (IN) terminal. This reduces the series resistance and inductance that can inject noise into the device due to the input switching currents. [Table 18](#) lists various input capacitors that are recommended for use with the LM3559.

TABLE 18. Recommended Input/Output Capacitors (X5R Dielectric)

Manufacturer	Part Number	Value	Case Size	Voltage Rating
TDK Corporation	C1608JB0J106M	10 μF	0603 (1.6mm×0.8mm×0.8mm)	6.3V
TDK Corporation	C2012JB1A106M	10 μF	0805 (2mm×1.25mm×1.25mm)	10V
TDK Corporation	C2012JB0J226M	22 μF	0805 (2mm×1.25mm×1.25mm)	6.3V
Murata	GRM188R60J06M	10 μF	0603 (1.6mm×0.8mm×0.8mm)	6.3V
Murata	GRM21BR61A106KE19	10 μF	0805 (2mm×1.25mm×1.25mm)	10V
Murata	GRM21BR60J226ME39L	22 μF	0805 (2mm×1.25mm×1.25mm)	6.3V

INDUCTOR SELECTION

The LM3559 is designed to use a 1 μH or 2.2 μH inductor. [Table 19](#) lists various inductors and their manufactures that can work well with the LM3559. When the device is boosting ($V_{\text{OUT}} > V_{\text{IN}}$) the inductor will typically be the largest area of efficiency loss in the circuit. Therefore choosing an inductor with the lowest possible series resistance is important. Additionally, the saturation rating of the inductor should be greater than the maximum operating peak current of the LM3559. This prevents excess efficiency loss that can occur with inductors that operate in saturation and prevents over heating

of the inductor and further efficiency loss. For proper inductor operation and circuit performance ensure that the inductor saturation and the peak current limit setting of the LM3559 is greater than I_{PEAK} in the following calculation:

$$I_{\text{PEAK}} = \frac{I_{\text{LOAD}}}{\eta} \times \frac{V_{\text{OUT}}}{V_{\text{IN}}} + \Delta I_L \quad \text{where } \Delta I_L = \frac{V_{\text{IN}} \times (V_{\text{OUT}} - V_{\text{IN}})}{2 \times f_{\text{SW}} \times L \times V_{\text{OUT}}}$$

$f_{\text{SW}} = 2\text{MHz}$, and efficiency can be found in the Typical Performance Characteristics plots.

TABLE 19. Recommended Inductors

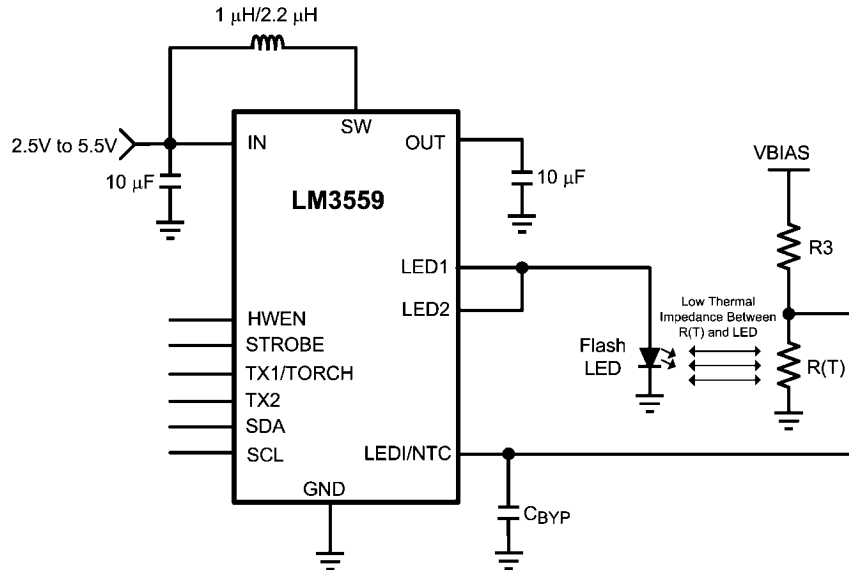
Manufacturer	L	Part Number	Dimensions (L×W×H)	I_{SAT}	R_{DC}
TOKO	2.2 μH	FDSD0312-H-2R2M	3mm×3.2mm×1.2mm	2.3A	105 m Ω
TOKO	1 μH	FDSD0312-H-1R0M	3mm×3.2mm×1.2mm	3.4A	43 m Ω
TOKO	1.5 μH	FDSD0312-H-1R5M	3mm×3.2mm×1.2mm	2.8A	71 m Ω
TOKO	2.2 μH	FDSD0312-2R2M	3mm x 3mm x 1.2mm	2.3A	145 m Ω
TOKO	1 μH	FDSD0312-1R0M	3mm x 3mm x 1.2mm	3.4A	70m Ω

Manufacturer	L	Part Number	Dimensions (LxWxH)	I _{SAT}	R _{DC}
TDK	1 μH	VLS4012ET-1R0N	4mm x 4mm x 1.2mm	2.8A	50mΩ
TDK	2.2 μH	VLS252012T-2R2M1R3	2mmx2.5mmx1.2mm	1.5A	TBD

NTC THERMISTOR SELECTION

Programming bit [4] of Configuration Register 1 with a (1) selects NTC mode and makes the LEDI/NTC pin a comparator input for flash LED thermal sensing. Figure 19 shows the LM3559 using the NTC thermistor circuit. The thermal sensor resistor divider is composed of R3 and R(T), where R(T) is

the Negative Temperature Coefficient Thermistor, V_{BIAS} is the bias voltage for the resistive divider, and R3 is used to linearize the NTC's response around the NTC comparators trip point. C_{BYP} is used to filter noise at the NTC input.



30102830

FIGURE 19. LM3559 Typical Application Circuit with Thermistor

In designing the NTC circuit, we must choose values for V_{BIAS}, R(T) and R3. To begin with, NTC thermistors have a non-linear relationship between temperature and resistance:

$$R(T) = R_{25^{\circ}\text{C}} \times e^{\left[\beta \left(\frac{1}{T^{\circ}\text{C} + 273} - \frac{1}{298} \right) \right]}$$

where β is given in the thermistor datasheet and R_{25°C} is the thermistors value at +25°C. R3 is chosen so that the temperature-to-resistance relationship becomes more linear and can be found by solving for R3 in the R(T) and R3 resistive divider:

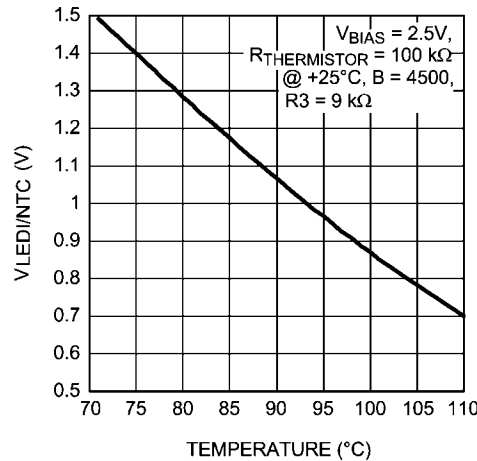
$$R3 = \frac{R_{T(\text{TRIP})} (V_{\text{BIAS}} - V_{\text{TRIP}})}{V_{\text{TRIP}}}$$

where R(T)_{TRIP} is the thermistors value at the temperature trip point and V_{TRIP} = 1V (typical). As an example, with V_{BIAS} = 2.5V and a thermistor whose nominal value at +25°C is 100 kΩ and a β = 4500K, the trip point is chosen to be +93°C. The value of R(T) at 93°C is:

$$R(T) = 100 \text{ k}\Omega \times e^{\left[\beta \left(\frac{1}{93 + 273} - \frac{1}{298} \right) \right]} = 6.047 \text{ k}\Omega$$

$$R3 \text{ is then: } \frac{6.047 \text{ k}\Omega \times (2.5\text{V} - 1\text{V})}{1\text{V}} = 9.071 \text{ k}\Omega$$

Figure 20 shows the linearity of the thermistor resistive divider of the previous example.



30102834

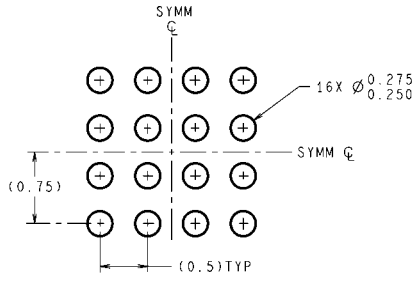
FIGURE 20. Thermistor Resistive Divider Response vs Temperature

Layout Recommendations

The high switching frequency and large switching currents of the LM3559 make the choice of layout important. The following steps should be used as a reference to ensure the device is stable and maintains proper LED current regulation across its intended operating voltage and current range.

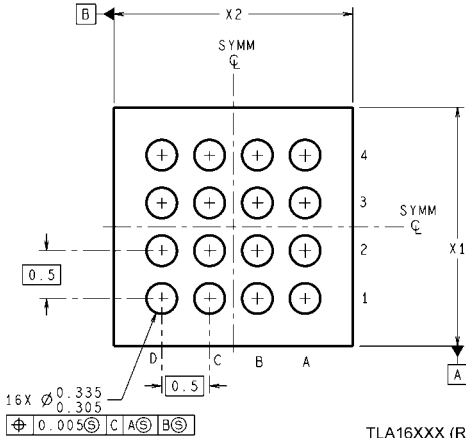
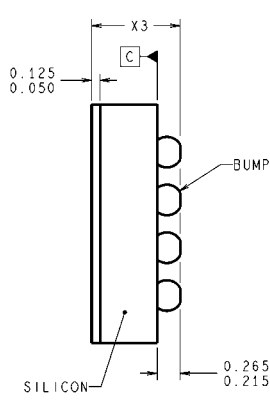
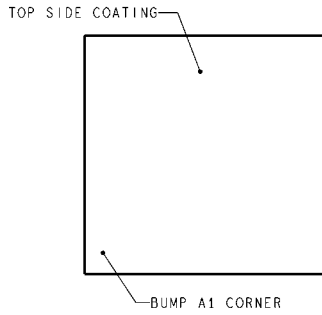
- Place C_{IN} on the top layer (same layer as the LM3559) and as close to the device as possible. The input capacitor conducts the driver currents during the low side MOSFET turn-on and turn-off and can see current spikes over 1A in amplitude. Connecting the input capacitor through short wide traces to both the IN and GND terminals will reduce the inductive voltage spikes that occur during switching and which can corrupt the V_{IN} line.
- Place C_{OUT} on the top layer (same layer as the LM3559) and as close as possible to the OUT and GND terminal. The returns for both C_{IN} and C_{OUT} should come together at one point, and as close to the GND pin as possible. Connecting C_{OUT} through short wide traces will reduce the series inductance on the OUT and GND terminals that can corrupt the V_{OUT} and GND line and cause excessive noise in the device and surrounding circuitry.
- Connect the inductor on the top layer close to the SW pin. There should be a low-impedance connection from the inductor to SW due to the large DC inductor current, and at the same time the area occupied by the SW node should be small so as to reduce the capacitive coupling of the high dV/dt present at SW that can couple into nearby traces.
- Avoid routing logic traces near the SW node so as to avoid any capacitively coupled voltages from SW onto any high impedance logic lines such as TX1/TORCH/GPIO1, TX2/INT/GPIO2, HWEN, LEDI/NTC (NTC mode), SDA, and SCL. A good approach is to insert an inner layer GND plane underneath the SW node and between any nearby routed traces. This creates a shield from the electric field generated at SW.
- Terminate the Flash LED cathodes directly to the GND pin of the LM3559. If possible, route the LED returns with a dedicated path so as to keep the high amplitude LED currents out of the GND plane. For Flash LEDs that are routed relatively far away from the LM3559, a good approach is to sandwich the forward and return current paths over the top of each other on two layers. This will help in reducing the inductance of the LED current paths.
- The NTC Thermistor is intended to have its return path connected to the LEDs cathode. This allows the thermistor resistive divider voltage (V_{NTC}) to trip the comparators threshold as V_{NTC} is falling. Additionally, the thermistor to LED cathode junction should be connected as close as possible in order to reduce the thermal impedance between the LED and the thermistor. The draw back is that the thermistor's return will see the switching currents from the LM3559's boost converter. Because of this, it is necessary to have a filter capacitor at the NTC pin which terminates close to the GND of the LM3559 (see CBYP in).

Physical Dimensions inches (millimeters) unless otherwise noted



DIMENSIONS ARE IN MILLIMETERS
DIMENSIONS IN () FOR REFERENCE ONLY

LAND PATTERN RECOMMENDATION



TLA16XXX (Rev C)

TLA1611A: 16-Bump micro SMD
X1 = 1.97 mm (± 0.03 mm)
X2 = 1.97 mm (± 0.03 mm)
X3 = 0.6 mm (± 0.075 mm)

Notes

For more National Semiconductor product information and proven design tools, visit the following Web sites at:
www.national.com

Products		Design Support	
Amplifiers	www.national.com/amplifiers	WEBENCH® Tools	www.national.com/webench
Audio	www.national.com/audio	App Notes	www.national.com/appnotes
Clock and Timing	www.national.com/timing	Reference Designs	www.national.com/refdesigns
Data Converters	www.national.com/adc	Samples	www.national.com/samples
Interface	www.national.com/interface	Eval Boards	www.national.com/evalboards
LVDS	www.national.com/lvds	Packaging	www.national.com/packaging
Power Management	www.national.com/power	Green Compliance	www.national.com/quality/green
Switching Regulators	www.national.com/switchers	Distributors	www.national.com/contacts
LDOs	www.national.com/ldo	Quality and Reliability	www.national.com/quality
LED Lighting	www.national.com/led	Feedback/Support	www.national.com/feedback
Voltage References	www.national.com/vref	Design Made Easy	www.national.com/easy
PowerWise® Solutions	www.national.com/powerwise	Applications & Markets	www.national.com/solutions
Serial Digital Interface (SDI)	www.national.com/sdi	Mil/Aero	www.national.com/milaero
Temperature Sensors	www.national.com/tempensors	SolarMagic™	www.national.com/solarmagic
PLL/VCO	www.national.com/wireless	PowerWise® Design University	www.national.com/training

THE CONTENTS OF THIS DOCUMENT ARE PROVIDED IN CONNECTION WITH NATIONAL SEMICONDUCTOR CORPORATION ("NATIONAL") PRODUCTS. NATIONAL MAKES NO REPRESENTATIONS OR WARRANTIES WITH RESPECT TO THE ACCURACY OR COMPLETENESS OF THE CONTENTS OF THIS PUBLICATION AND RESERVES THE RIGHT TO MAKE CHANGES TO SPECIFICATIONS AND PRODUCT DESCRIPTIONS AT ANY TIME WITHOUT NOTICE. NO LICENSE, WHETHER EXPRESS, IMPLIED, ARISING BY ESTOPPEL OR OTHERWISE, TO ANY INTELLECTUAL PROPERTY RIGHTS IS GRANTED BY THIS DOCUMENT.

TESTING AND OTHER QUALITY CONTROLS ARE USED TO THE EXTENT NATIONAL DEEMS NECESSARY TO SUPPORT NATIONAL'S PRODUCT WARRANTY. EXCEPT WHERE MANDATED BY GOVERNMENT REQUIREMENTS, TESTING OF ALL PARAMETERS OF EACH PRODUCT IS NOT NECESSARILY PERFORMED. NATIONAL ASSUMES NO LIABILITY FOR APPLICATIONS ASSISTANCE OR BUYER PRODUCT DESIGN. BUYERS ARE RESPONSIBLE FOR THEIR PRODUCTS AND APPLICATIONS USING NATIONAL COMPONENTS. PRIOR TO USING OR DISTRIBUTING ANY PRODUCTS THAT INCLUDE NATIONAL COMPONENTS, BUYERS SHOULD PROVIDE ADEQUATE DESIGN, TESTING AND OPERATING SAFEGUARDS.

EXCEPT AS PROVIDED IN NATIONAL'S TERMS AND CONDITIONS OF SALE FOR SUCH PRODUCTS, NATIONAL ASSUMES NO LIABILITY WHATSOEVER, AND NATIONAL DISCLAIMS ANY EXPRESS OR IMPLIED WARRANTY RELATING TO THE SALE AND/OR USE OF NATIONAL PRODUCTS INCLUDING LIABILITY OR WARRANTIES RELATING TO FITNESS FOR A PARTICULAR PURPOSE, MERCHANTABILITY, OR INFRINGEMENT OF ANY PATENT, COPYRIGHT OR OTHER INTELLECTUAL PROPERTY RIGHT.

LIFE SUPPORT POLICY

NATIONAL'S PRODUCTS ARE NOT AUTHORIZED FOR USE AS CRITICAL COMPONENTS IN LIFE SUPPORT DEVICES OR SYSTEMS WITHOUT THE EXPRESS PRIOR WRITTEN APPROVAL OF THE CHIEF EXECUTIVE OFFICER AND GENERAL COUNSEL OF NATIONAL SEMICONDUCTOR CORPORATION. As used herein:

Life support devices or systems are devices which (a) are intended for surgical implant into the body, or (b) support or sustain life and whose failure to perform when properly used in accordance with instructions for use provided in the labeling can be reasonably expected to result in a significant injury to the user. A critical component is any component in a life support device or system whose failure to perform can be reasonably expected to cause the failure of the life support device or system or to affect its safety or effectiveness.

National Semiconductor and the National Semiconductor logo are registered trademarks of National Semiconductor Corporation. All other brand or product names may be trademarks or registered trademarks of their respective holders.

Copyright© 2011 National Semiconductor Corporation

For the most current product information visit us at www.national.com



National Semiconductor Americas Technical Support Center
 Email: support@nsc.com
 Tel: 1-800-272-9959

National Semiconductor Europe Technical Support Center
 Email: europe.support@nsc.com

National Semiconductor Asia Pacific Technical Support Center
 Email: ap.support@nsc.com

National Semiconductor Japan Technical Support Center
 Email: jpn.feedback@nsc.com

IMPORTANT NOTICE

Texas Instruments Incorporated and its subsidiaries (TI) reserve the right to make corrections, modifications, enhancements, improvements, and other changes to its products and services at any time and to discontinue any product or service without notice. Customers should obtain the latest relevant information before placing orders and should verify that such information is current and complete. All products are sold subject to TI's terms and conditions of sale supplied at the time of order acknowledgment.

TI warrants performance of its hardware products to the specifications applicable at the time of sale in accordance with TI's standard warranty. Testing and other quality control techniques are used to the extent TI deems necessary to support this warranty. Except where mandated by government requirements, testing of all parameters of each product is not necessarily performed.

TI assumes no liability for applications assistance or customer product design. Customers are responsible for their products and applications using TI components. To minimize the risks associated with customer products and applications, customers should provide adequate design and operating safeguards.

TI does not warrant or represent that any license, either express or implied, is granted under any TI patent right, copyright, mask work right, or other TI intellectual property right relating to any combination, machine, or process in which TI products or services are used. Information published by TI regarding third-party products or services does not constitute a license from TI to use such products or services or a warranty or endorsement thereof. Use of such information may require a license from a third party under the patents or other intellectual property of the third party, or a license from TI under the patents or other intellectual property of TI.

Reproduction of TI information in TI data books or data sheets is permissible only if reproduction is without alteration and is accompanied by all associated warranties, conditions, limitations, and notices. Reproduction of this information with alteration is an unfair and deceptive business practice. TI is not responsible or liable for such altered documentation. Information of third parties may be subject to additional restrictions.

Resale of TI products or services with statements different from or beyond the parameters stated by TI for that product or service voids all express and any implied warranties for the associated TI product or service and is an unfair and deceptive business practice. TI is not responsible or liable for any such statements.

TI products are not authorized for use in safety-critical applications (such as life support) where a failure of the TI product would reasonably be expected to cause severe personal injury or death, unless officers of the parties have executed an agreement specifically governing such use. Buyers represent that they have all necessary expertise in the safety and regulatory ramifications of their applications, and acknowledge and agree that they are solely responsible for all legal, regulatory and safety-related requirements concerning their products and any use of TI products in such safety-critical applications, notwithstanding any applications-related information or support that may be provided by TI. Further, Buyers must fully indemnify TI and its representatives against any damages arising out of the use of TI products in such safety-critical applications.

TI products are neither designed nor intended for use in military/aerospace applications or environments unless the TI products are specifically designated by TI as military-grade or "enhanced plastic." Only products designated by TI as military-grade meet military specifications. Buyers acknowledge and agree that any such use of TI products which TI has not designated as military-grade is solely at the Buyer's risk, and that they are solely responsible for compliance with all legal and regulatory requirements in connection with such use.

TI products are neither designed nor intended for use in automotive applications or environments unless the specific TI products are designated by TI as compliant with ISO/TS 16949 requirements. Buyers acknowledge and agree that, if they use any non-designated products in automotive applications, TI will not be responsible for any failure to meet such requirements.

Following are URLs where you can obtain information on other Texas Instruments products and application solutions:

Products

Audio	www.ti.com/audio
Amplifiers	amplifier.ti.com
Data Converters	dataconverter.ti.com
DLP® Products	www.dlp.com
DSP	dsp.ti.com
Clocks and Timers	www.ti.com/clocks
Interface	interface.ti.com
Logic	logic.ti.com
Power Mgmt	power.ti.com
Microcontrollers	microcontroller.ti.com
RFID	www.ti-rfid.com
OMAP Mobile Processors	www.ti.com/omap
Wireless Connectivity	www.ti.com/wirelessconnectivity

Applications

Communications and Telecom	www.ti.com/communications
Computers and Peripherals	www.ti.com/computers
Consumer Electronics	www.ti.com/consumer-apps
Energy and Lighting	www.ti.com/energy
Industrial	www.ti.com/industrial
Medical	www.ti.com/medical
Security	www.ti.com/security
Space, Avionics and Defense	www.ti.com/space-avionics-defense
Transportation and Automotive	www.ti.com/automotive
Video and Imaging	www.ti.com/video

TI E2E Community Home Page

e2e.ti.com

Mailing Address: Texas Instruments, Post Office Box 655303, Dallas, Texas 75265
Copyright © 2011, Texas Instruments Incorporated